

2014

---

# MAX

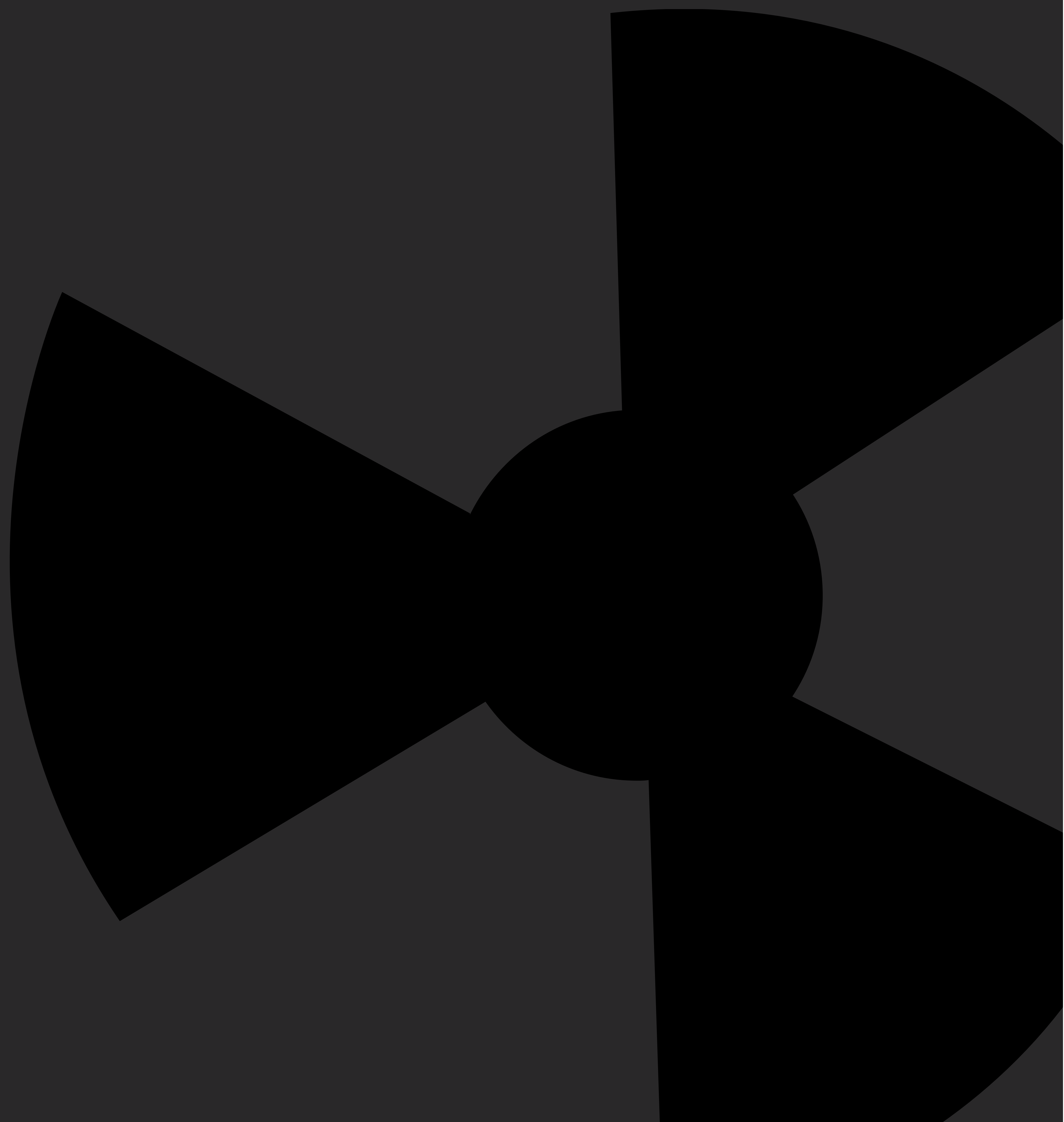
## POWER

THRUST IT TO THE MAX



SAILTEC GmbH  
Hasselbinnen 28  
D-22869 Schenefeld  
Germany

+49 40 8229940  
info@sailtec.de  
www.sailtec.de



# MAX POWER

Founded in 1987, Max Power has developed a wide variety of products, destined for yachts of all types and sizes. Initially established in Mandelieu, France, the complete production, assembly and dispatch moved to Monza, Italy at the end of 2011.





Since the beginning of 2013 Max Power has been heavily invested in, following the action plan to upgrade its production processes, quality systems and logistics structure. Investments also included a tailor-made WMS and an SAP ERP system.

Max Power offers a full vessel maneuverability range, from simple tunnel thrusters to top-of-the-range retractable thrusters, ensuring complete freedom of choice. Backed up by an extensive range of accessories, power options and customized solutions, Max Power has become a leader in its market with a dedicated group of followers.

Renowned for supplying high quality products, Max Power has remained dedicated to designing and producing innovative and often unique solutions which all strive to bring ultimate performance into the world of everyday yachting.

With more than 25 years of experience in designing and manufacturing leisure marine products, there is certainly a Max Power bow thruster, stern thruster or related equipment to meet your requirements.

[www.max-power.com](http://www.max-power.com)

**MAX**  
POWER  
THRUST IT TO THE MAX



Fragen zum Thema? Angebot einholen? Einfach SAILTEC anrufen - +49-(0)40-8229940 - oder email an [verkauf@sailtec.eu](mailto:verkauf@sailtec.eu) !



# MAX POWER

THRUST IT TO THE MAX



## p2 PRODUCT SELECTION

- Tunnel thrusters
- Retractable thrusters
- Bow thrusters and stern thrusters
- Electric or hydraulic power

## p8 Electric tunnel thrusters



## p29 Thruster accessories



## p31 Hydraulic systems



[www.max-power.com](http://www.max-power.com)





p12 Ignition protected thrusters



p14 Hydraulic tunnel thrusters



p17 Stern pod thruster



p18 Electric retractable thrusters



p26 Control panels & remote control



p21 Hydraulic retractable thrusters



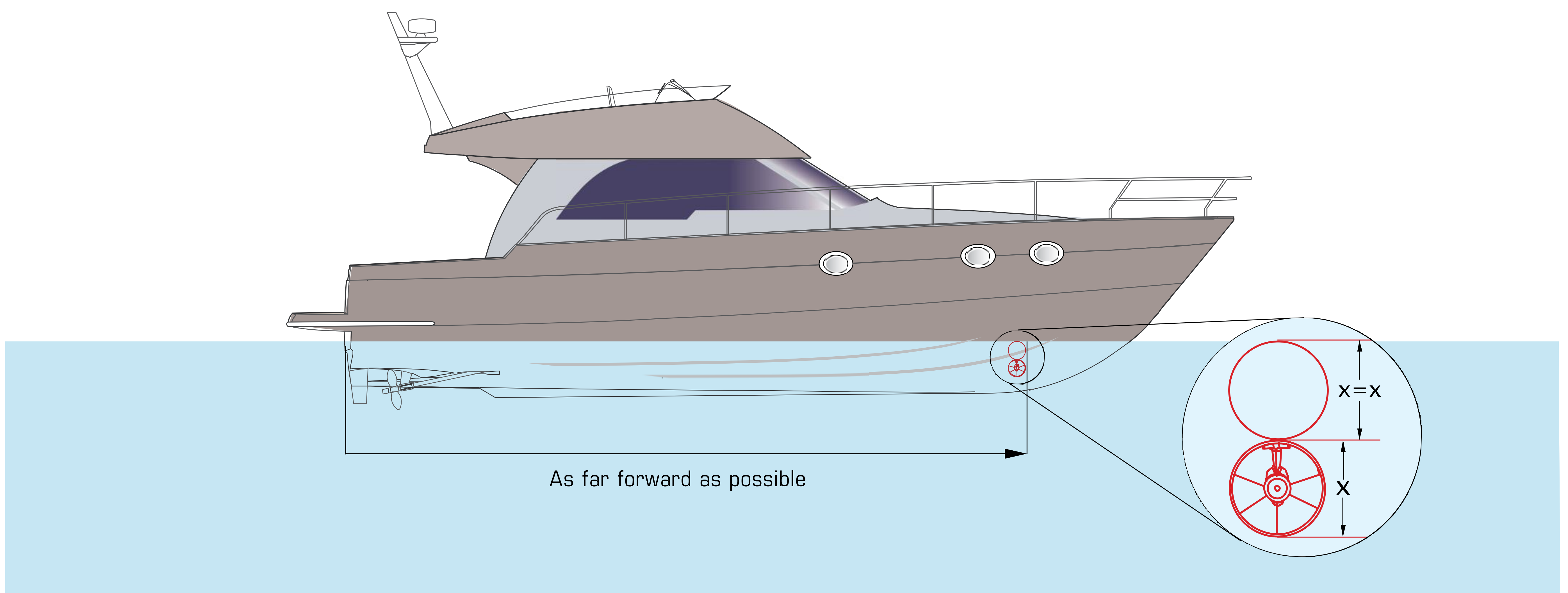
## Tunnel thrusters

Positioning thrusters is often as important as choosing the right thrust output when seeking a suitable thruster for your yacht.

The thruster's turbine needs to be placed one full propeller diameter under the water line to achieve optimal thrust. The thruster must also be positioned as far forward in the bow or as far back in the

stern as possible. A thruster stepped back from the bow (or stern) would need to be more powerful than one mounted further forward (or aft), to achieve the same turning effect on the yacht.

With this in mind, tunnel thrusters offer an ideal solution for motor yachts and even deep-footed sailing yachts when sailing performance is not paramount.

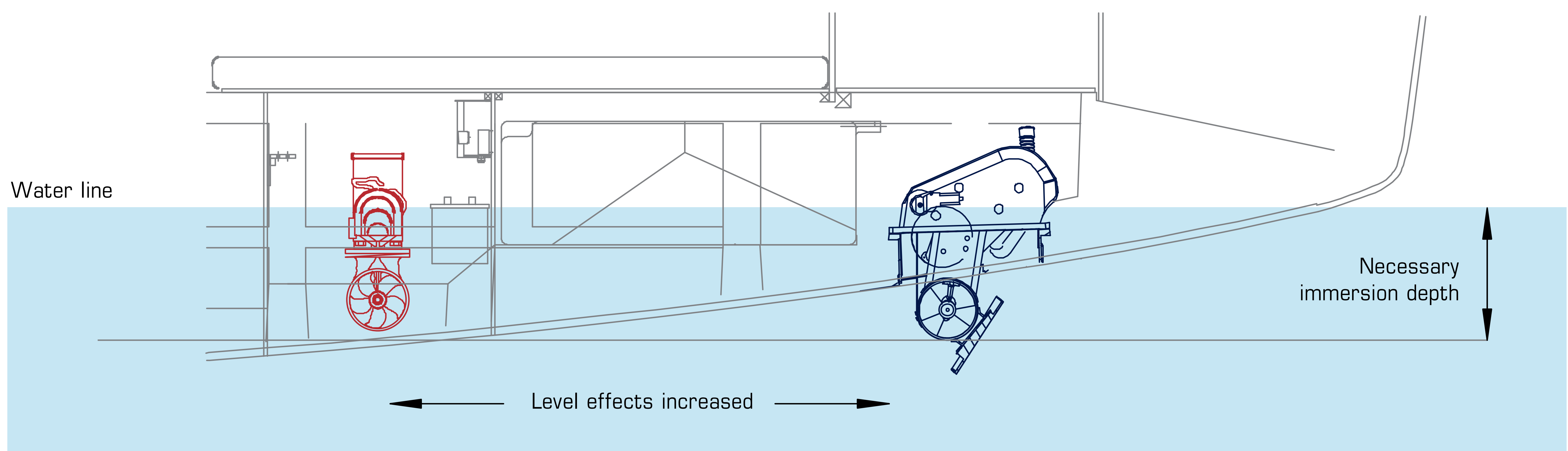


## Retractable thrusters

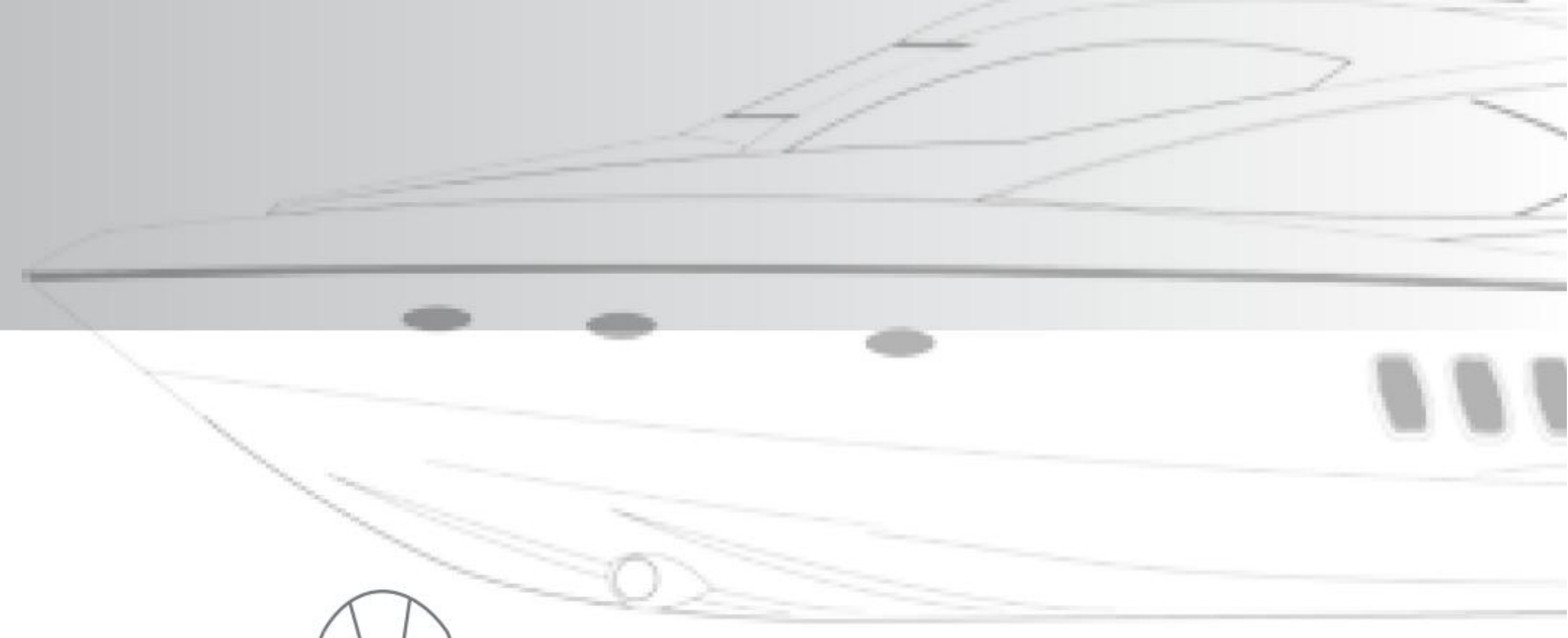
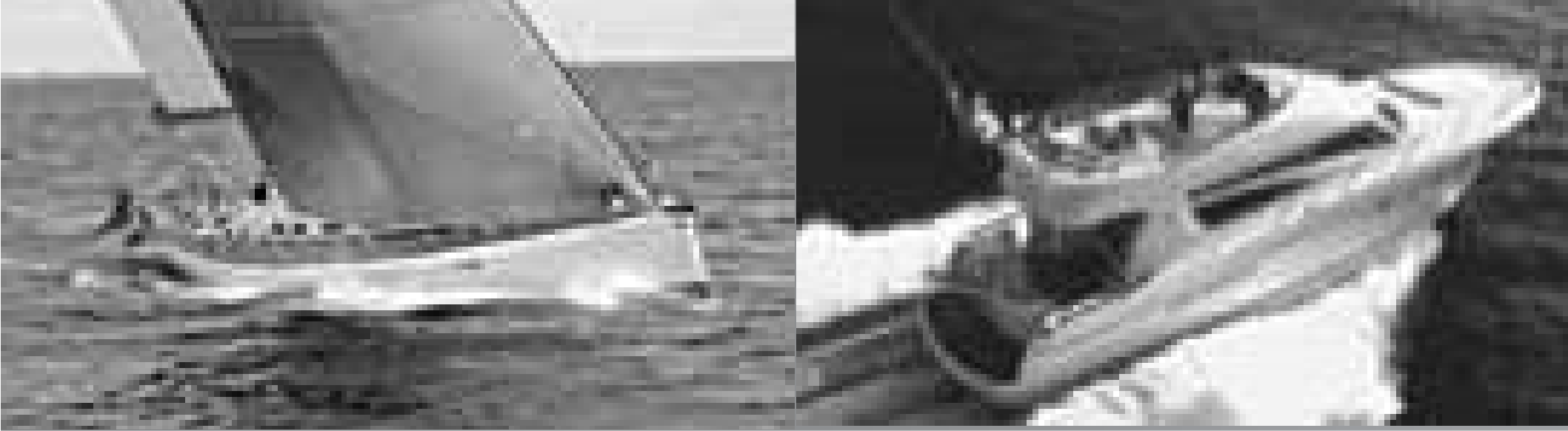
Retractable thrusters are easily installed far forward in the bow whilst still achieving the required immersion depths. This results in a thruster that has a good turning effect on the yacht, often allowing a unit with a lower thrust rating than its tunnel equivalent to be used with excellent results.

When retracted these units have no effect on the yacht's drag and do not reduce sailing performance in light winds.

Most modern sailing yachts are better suited to retractable thrusters.



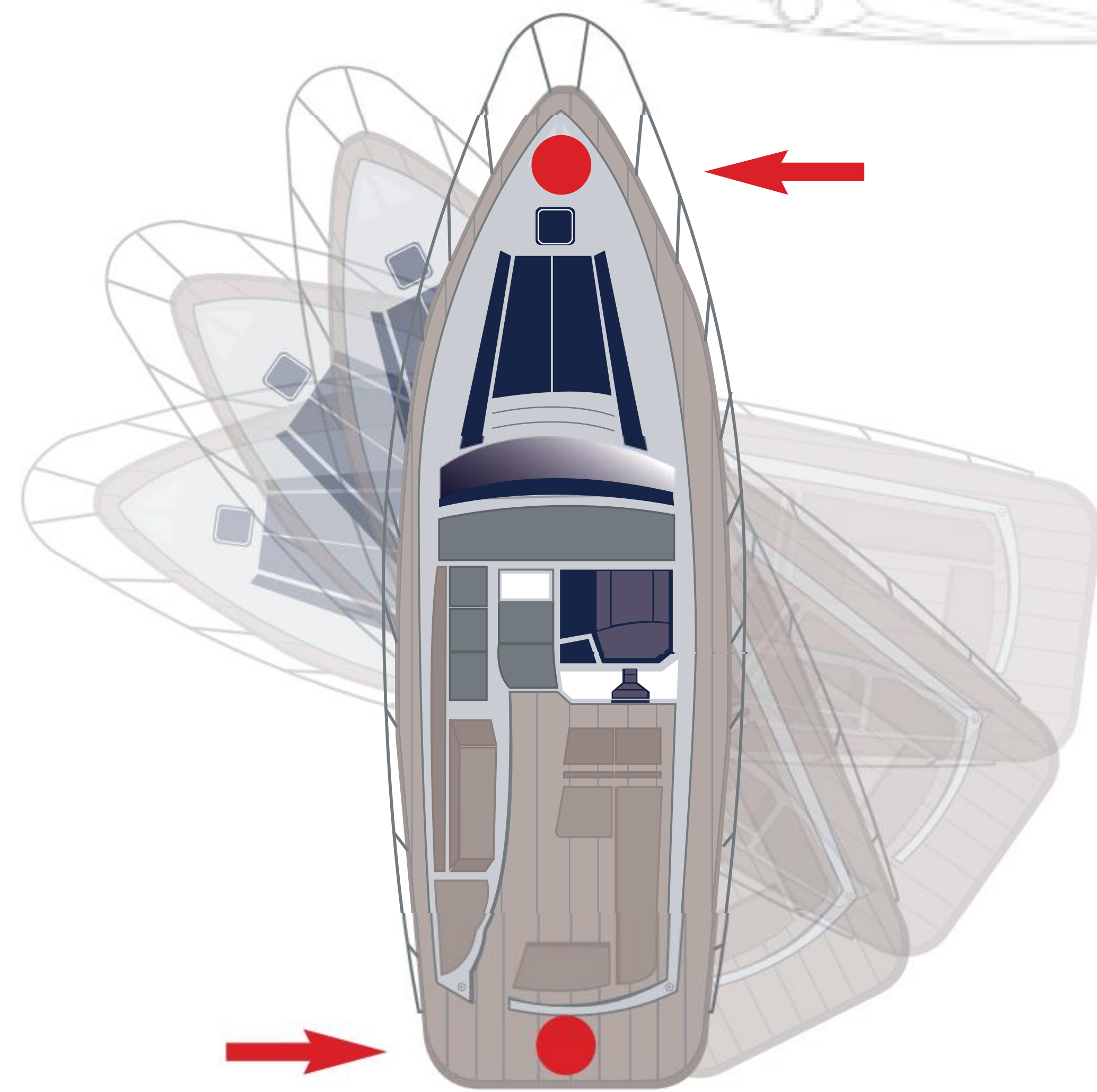




## Bow thrusters

The combined use of a bow and stern thruster adds a greater level of control when manoeuvring in difficult conditions or tight corners.

Turning on the spot or even stepping the entire yacht sideways becomes possible. Max Power offers stern thruster adapters for the entire tunnelthruster range. A range of Ignition Protected thrusters is also available enabling the use of a stern thruster in habitually damp zones.



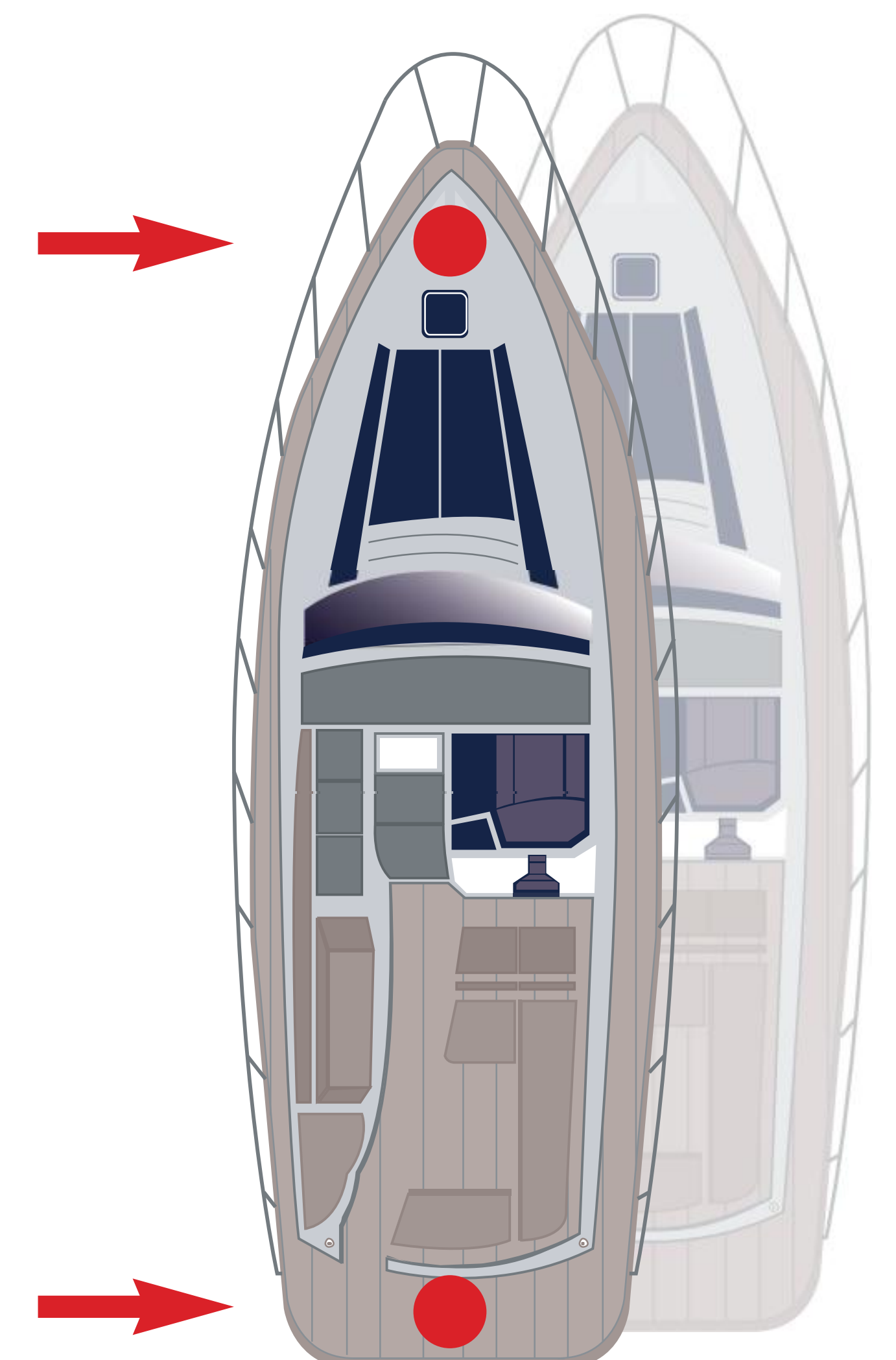
Bow and stern thruster



Bow thruster alone



Stern thruster alone

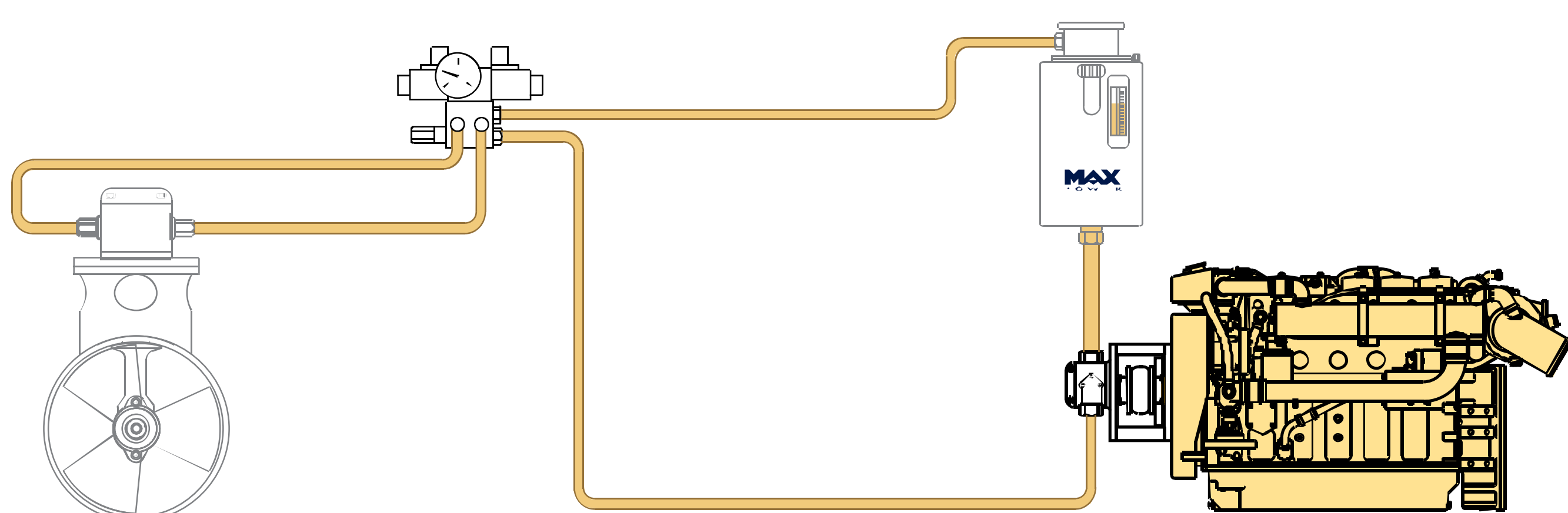


Bow and stern thruster

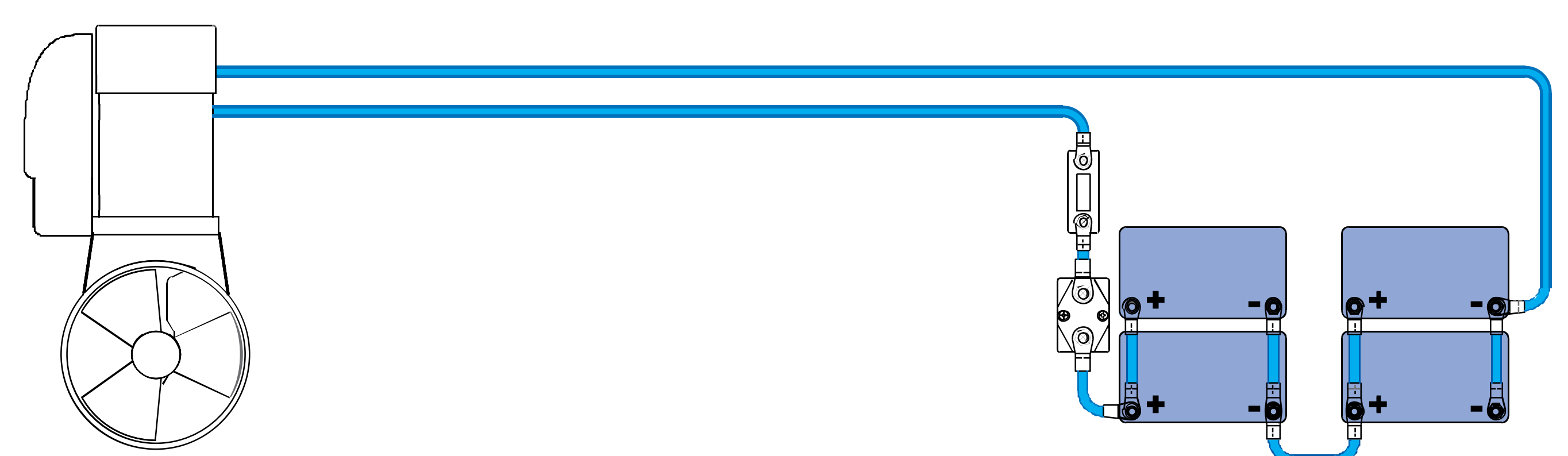
## Electric or hydraulic power source

Bow and stern thrusters whether retractable or tunnel require a power source. On a yacht this can be either a 12/24V DC electric motor or a hydraulic motor.

The hydraulic motor will need to draw power from a thermal engine (via a hydraulic pump) or a remote mounted DC motor (also via a hydraulic pump). The DC motor will draw power directly from a battery bank as do direct electric thrusters



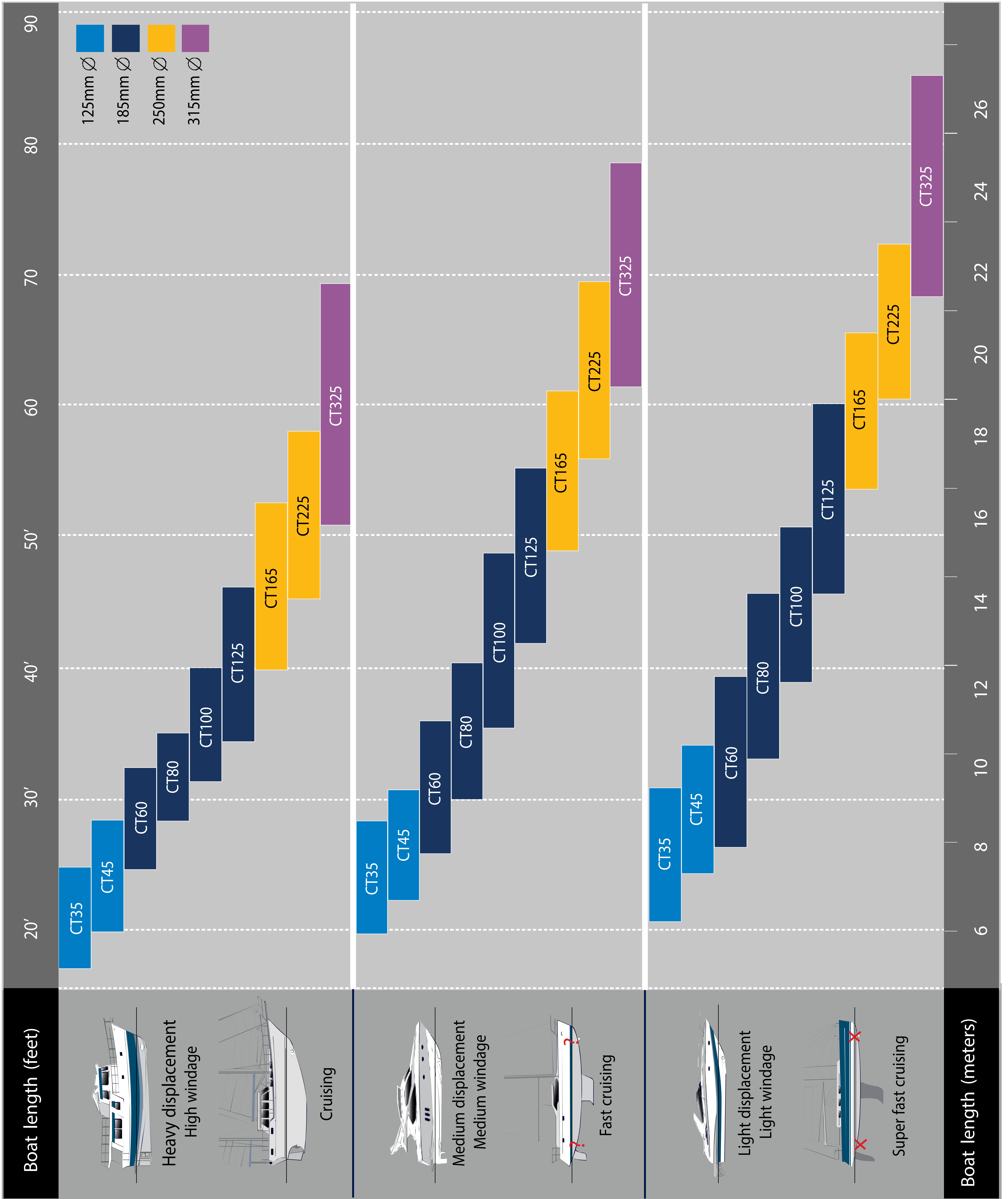
Engine driven hydraulic thruster



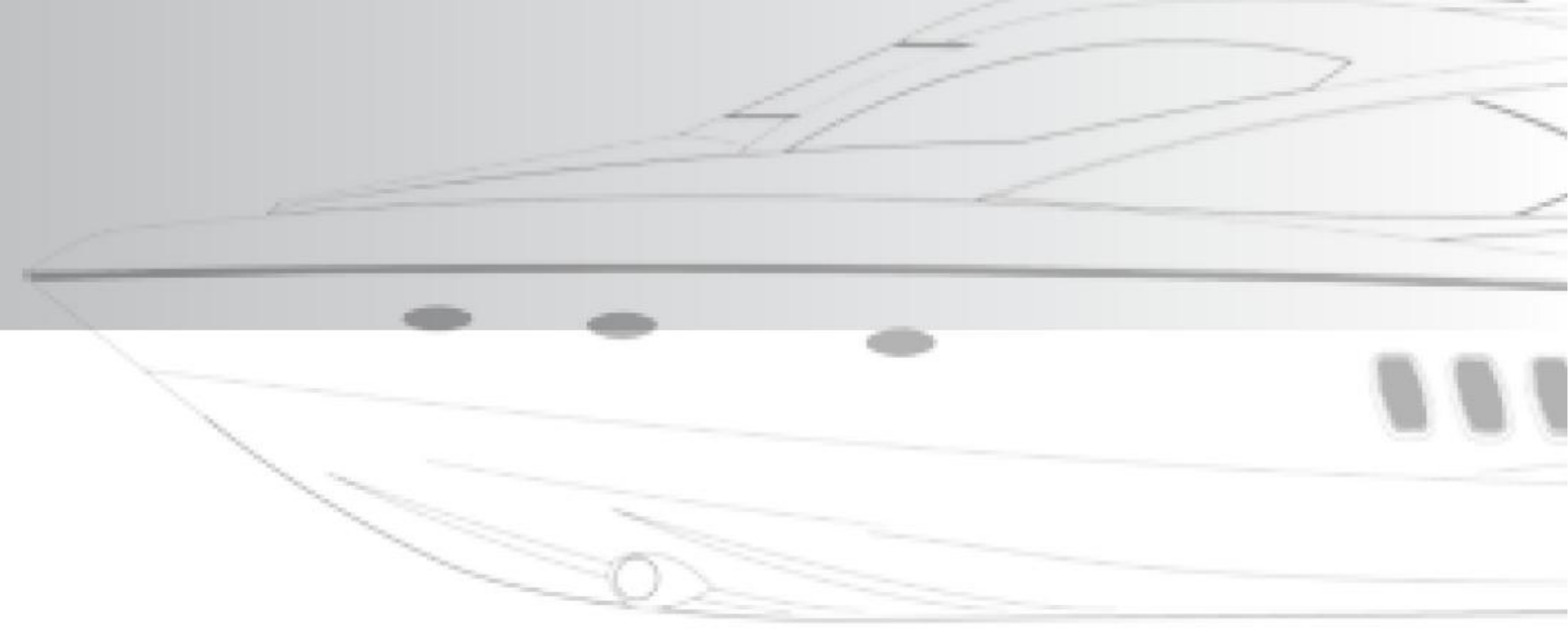
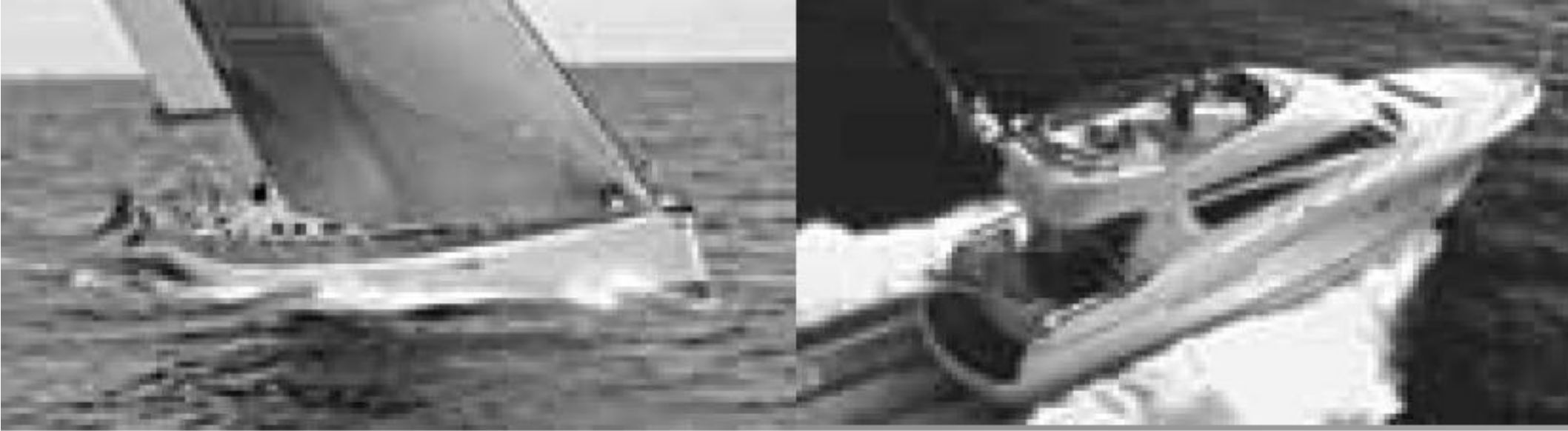
DC Electric thruster



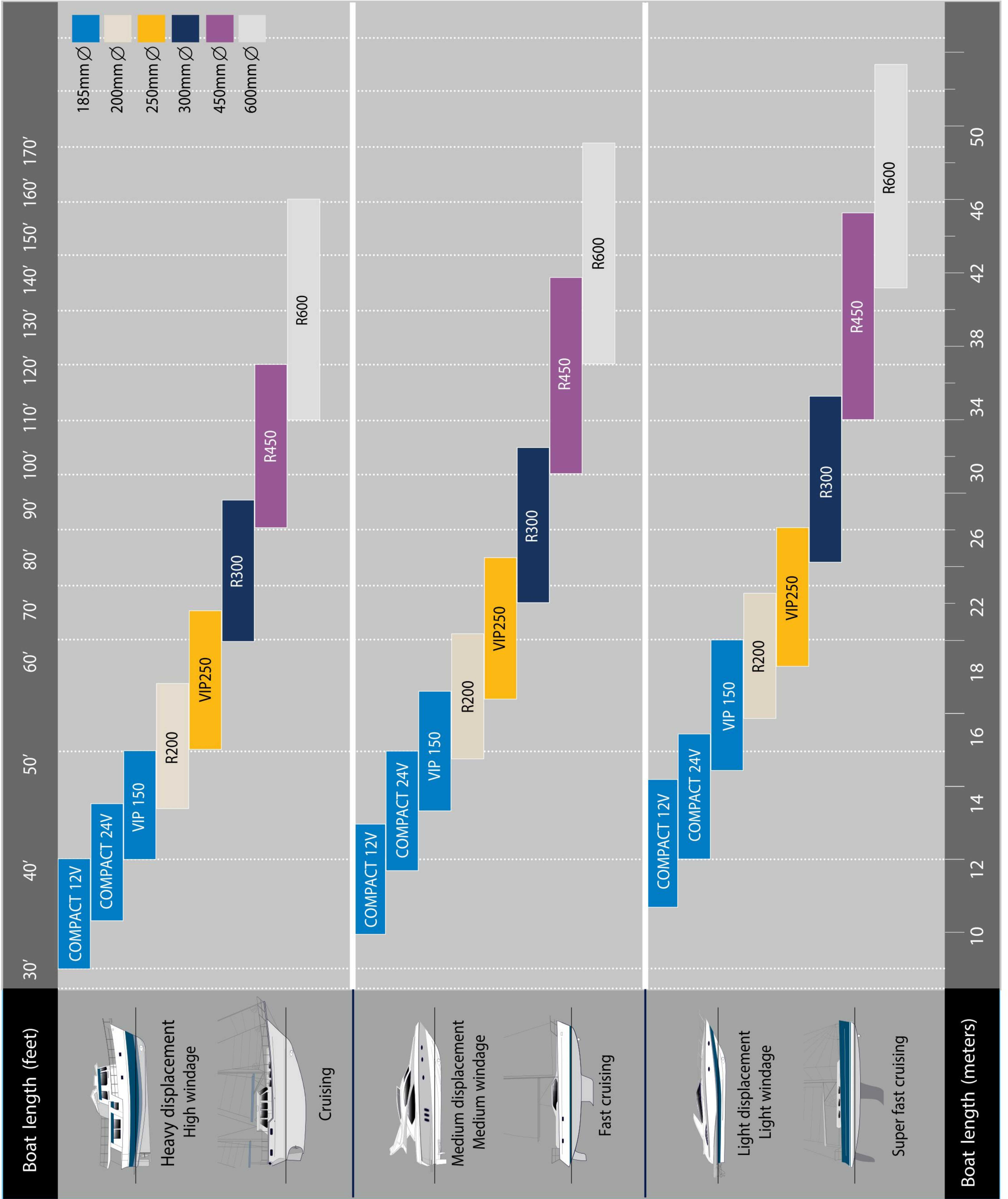
## Tunnel thrusters







## Retractable thrusters







**Max Power offers a complete range of 12/24V composite electric tunnel thrusters to suit motor yachts and deep footed sailing yachts from 17-85'. Designed for performance and durability, each model is easy to fit, highly cost effective, and integrates a variety of unique features.**

- Patented composite drive legs
- Zero maintenance
- Case hardened spiro-conical gears
- Line shields
- Purpose built DC motors
- Electronic control boxes for unrivaled safety features
- Safe, high power connections
- Purpose built high specification DC contactors



Corrosion free composite drive legs eliminate the need for anodes and offer high manufacturing tolerances.



Drive legs are pre-filled with oil and then sealed for life for zero maintenance.



Case hardened spiro-conical gears guarantee a silent, smooth operation, and a long lifespan.



Line shields protect oil seals from fishing lines and fouling.



High efficiency, purpose built DC motors ensure outstanding performance and long runtime ratings.



Electronic control boxes offer unique and unrivaled safety features.

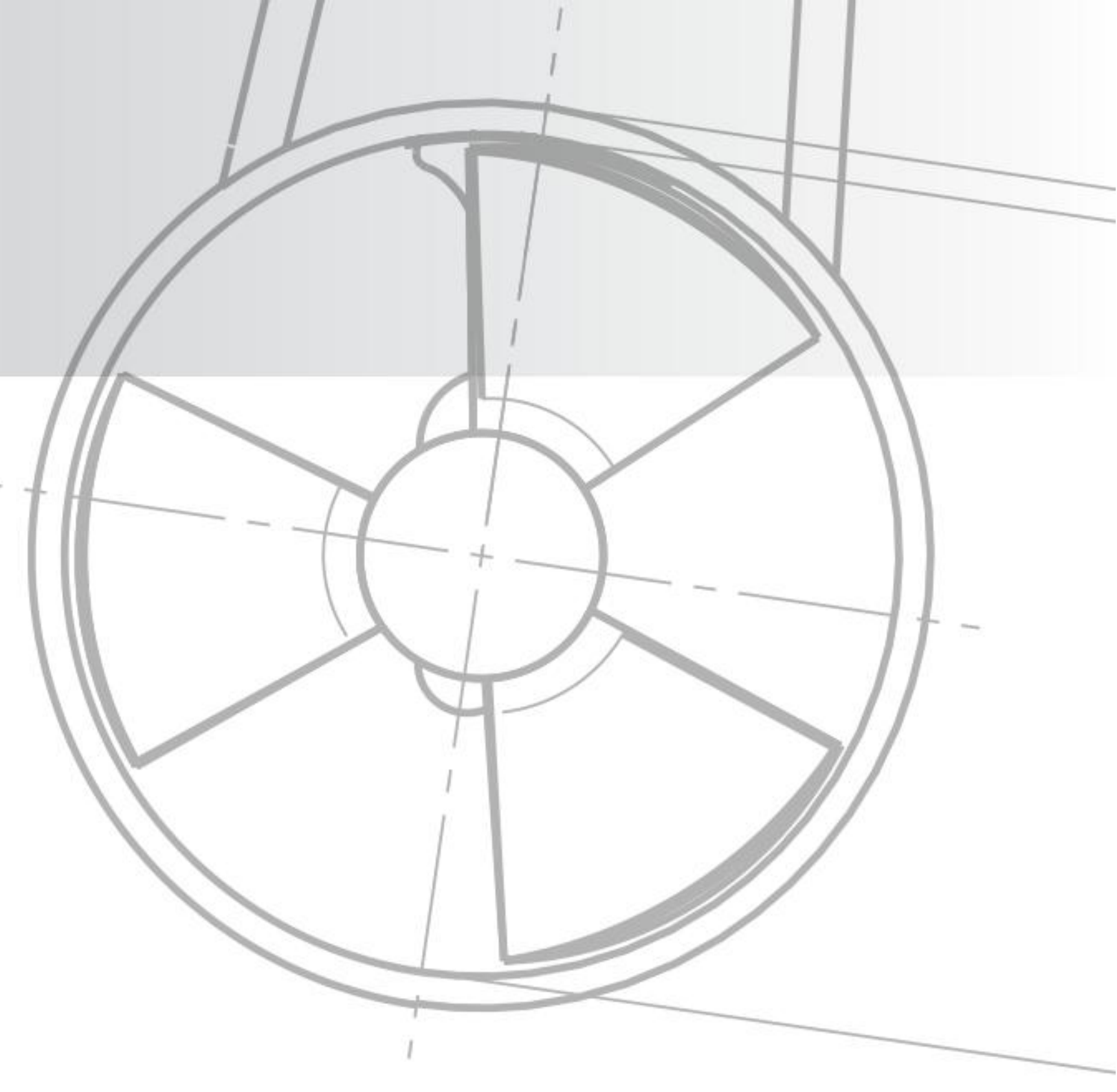
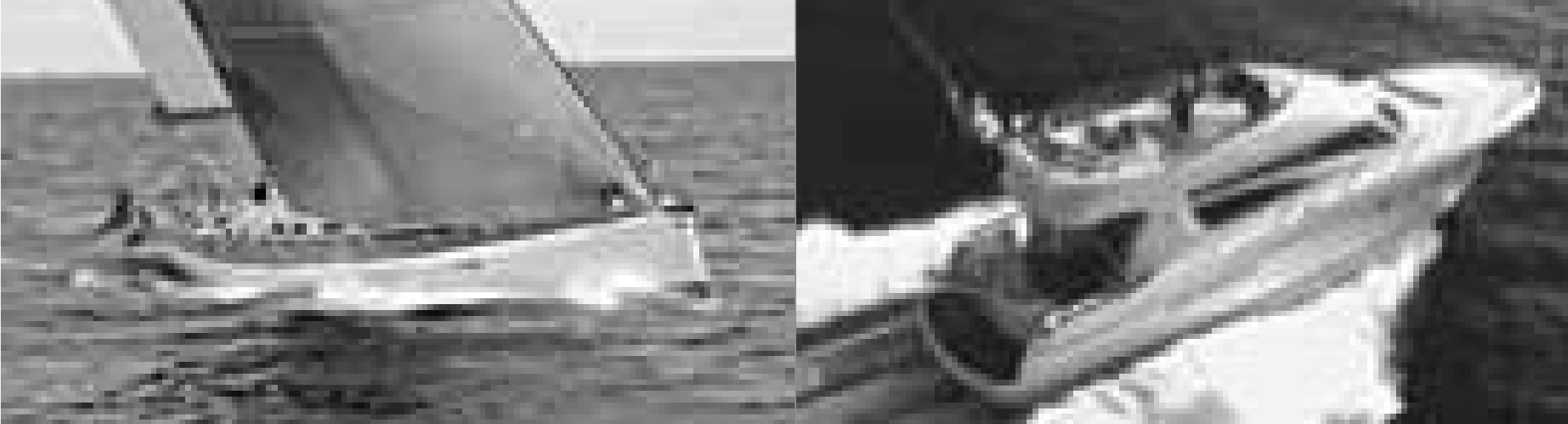


Solid copper contact bars guarantee safe, high power connections.



Purpose built high specification DC contactors are both safe and durable.





### ■ CT 35

**Code: 42529**  
 Voltage\*: 12V  
 Thrust (kg/lbs)\*\*: 35 / 77  
 Propellers: Mono  
 Power (kw/hp): 2.69 / 3.6  
 Weight (kg): 9.6

#### Dimensions (mm)

A: 190  
 B: 140  
 C: 210  
 D: 125  
 E: 4 to 5



### ■ CT 45

**Code: 317603**  
 Voltage\*: 12V  
 Thrust (kg/lbs)\*\*: 30 / 88  
 Propellers: Duo  
 Power (kw/hp): 3.23 / 4.3  
 Weight (kg): 9.65

#### Dimensions (mm)

A: 190  
 B: 140  
 C: 210  
 D: 125  
 E: 4 to 5

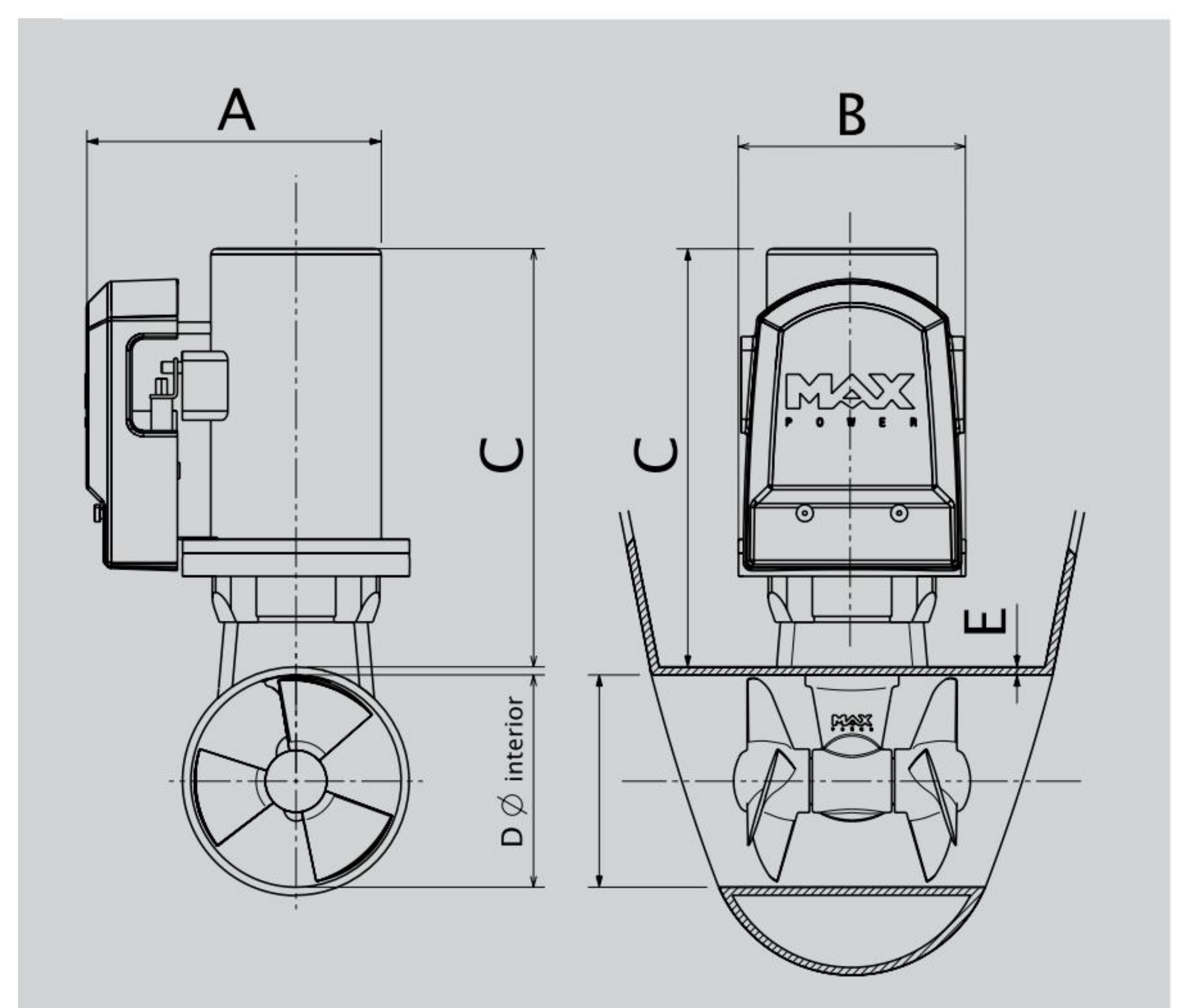


### ■ CT 60

<b>Code: 42530</b>	<b>Code: 42531</b>
Voltage*: 12V	Voltage*: 24V
Thrust (kg/lbs)**: 58 / 128	Thrust (kg/lbs)**: 63 / 139
Propellers: Mono	Propellers: Mono
Power (kw/hp): 4.35 / 5.8	Power (kw/hp): 4.4 / 5.9
Weight (kg): 14.7	Weight (kg): 14.8

#### Dimensions (mm)

A: 210  
 B: 140  
 C: 275  
 D: 185  
 E: 6 to 7





NB: Images are not to scale.

\* Thrusters are designed to run at 10.75V on 12V units and 22V on 24V units. Higher voltages will result in higher thrust ratings, higher power consumption, and a reduced duty cycle.

\*\* Performance data is given for a thruster installed at an immersion depth of one tunnel's diameter, in a tunnel no longer than twice the tunnel's diameter, and this within a variation of + / - 6%. Longer tunnels will result in lower thrust ratings and higher power consumption.

\*\*\* Model only available with bronze driveleg.



## CT 80

**Code: 42532**

Voltage\*: 12V  
Thrust (kg/lbs)\*\*: 69 / 152  
Propellers: Duo  
Power (kw/hp): 4.79 / 6.4  
Weight (kg): 15

**Code: 42533**

Voltage\*: 24V  
Thrust (kg/lbs)\*\*: 75 / 165  
Propellers: Duo  
Power (kw/hp): 5.28 / 7.1  
Weight (kg): 15.1

### Dimensions (mm)

A: 210  
B: 140  
C: 275  
D: 185  
E: 6 to 7



## CT 100

**Code: 42534**

Voltage\*: 12V  
Thrust (kg/lbs)\*\*: 96 / 212  
Propellers: Duo  
Power (kw/hp): 7.1 / 9.5  
Weight (kg): 24

### Dimensions (mm)

A: 250  
B: 200  
C: 365  
D: 185  
E: 6 to 7



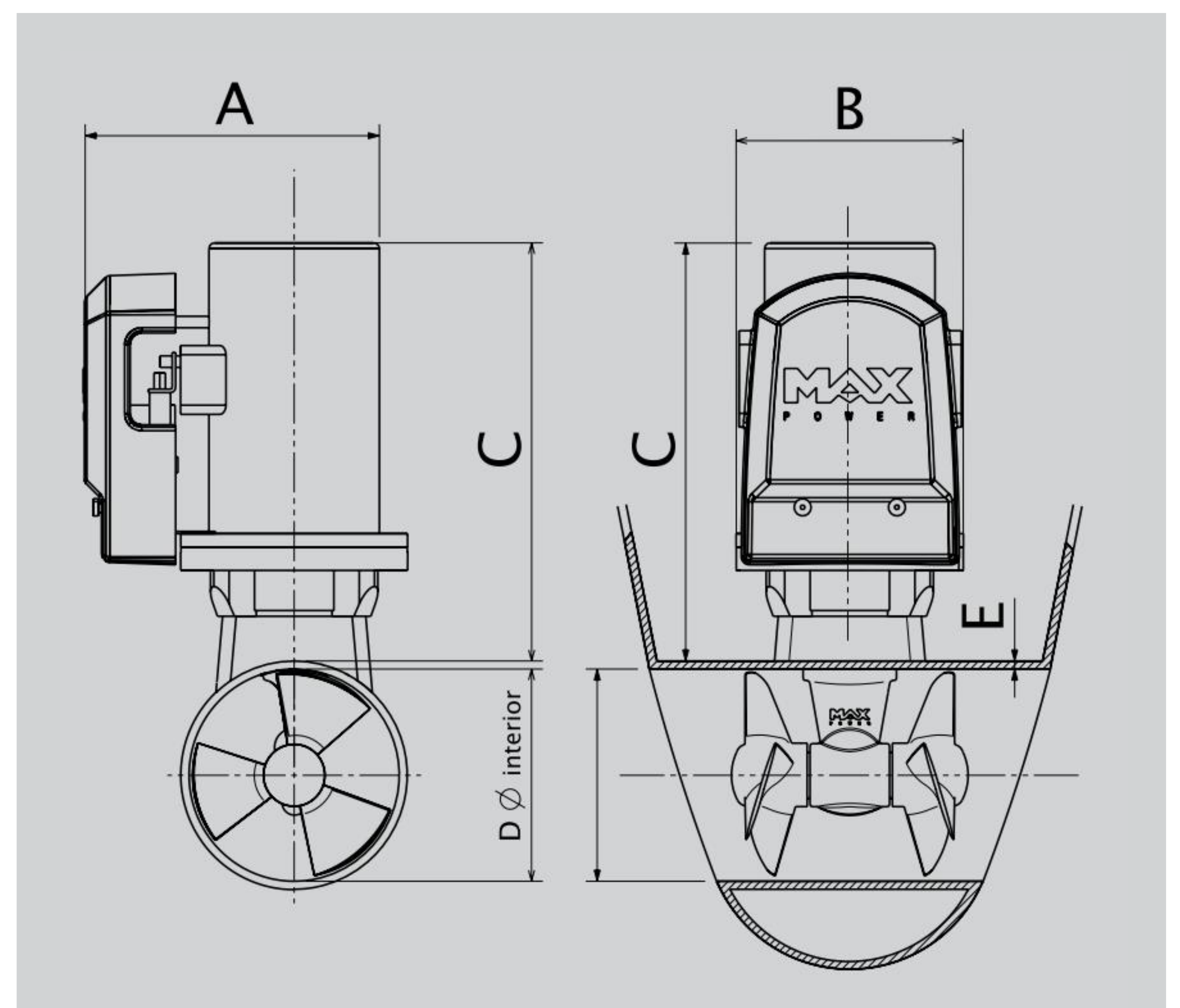
## CT 125

**Code: 42535**

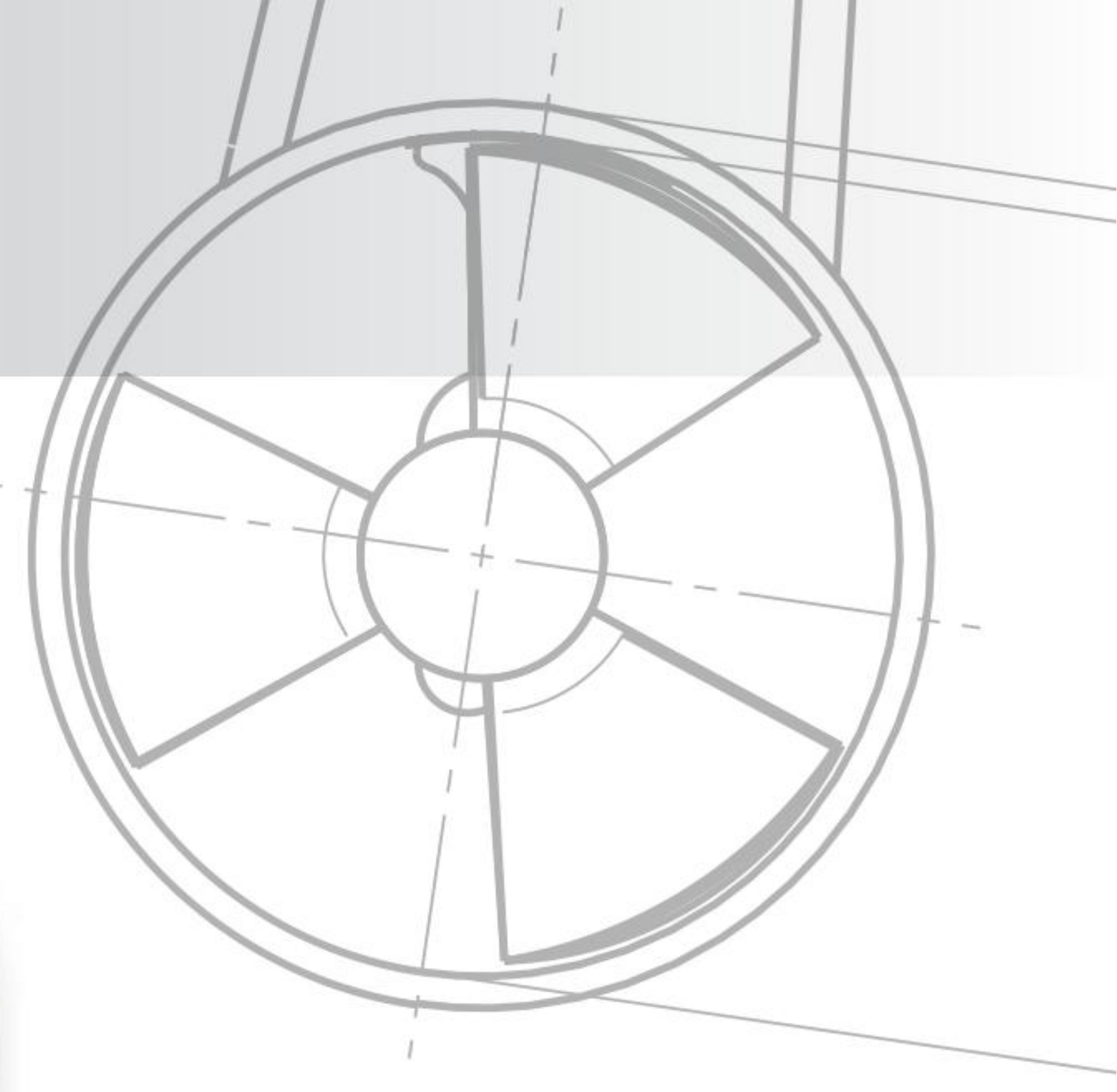
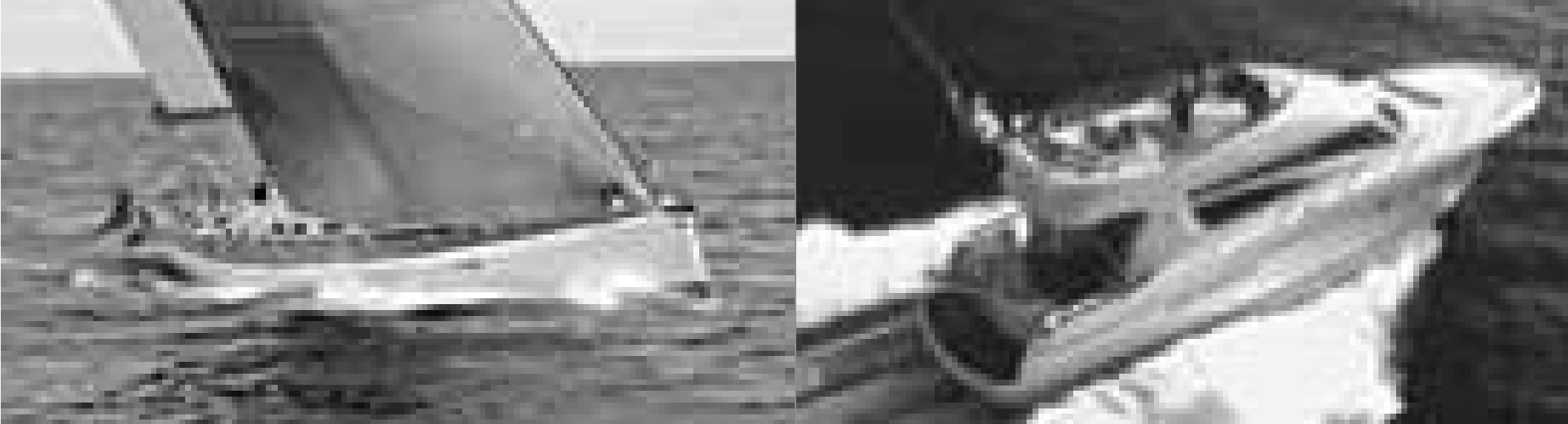
Voltage\*: 24V  
Thrust (kg/lbs)\*\*: 115 / 254  
Propellers: Duo  
Power (kw/hp): 8.58 / 11.5  
Weight (kg): 24

### Dimensions (mm)

A: 250  
B: 200  
C: 365  
D: 185  
E: 6 to 7







### ■ CT 165

**Code: 317557**

Voltage\*:  
24V  
Thrust (kg/lbs)\*\*:  
160 / 353  
Propellers:  
Duo  
Power (kw/hp):  
11.88 / 15.9  
Weight (kg):  
36

**Dimensions (mm)**

A: 250  
B: 200  
C: 430  
D: 250  
E: 7 to 8



### ■ CT 225

**Code: 317558**

Voltage\*:  
24V  
Thrust (kg/lbs)\*\*:  
195 / 430  
Propellers:  
Duo  
Power (kw/hp):  
14.96 / 20  
Weight (kg):  
37

**Dimensions (mm)**

A: 270  
B: 200  
C: 405  
D: 250  
E: 7 to 8



### ■ CT 300

**Code: 317606**

Voltage\*:  
24V  
Thrust (kg/lbs)\*\*:  
255 / 562  
Propellers:  
Duo  
Power (kw/hp):  
19.7 / 26.4  
Weight (kg):  
58.5

**Dimensions (mm)**

A: 250  
B: 250  
C: 480  
D: 300  
E: 9 to 10



### ■ CT 325

**Code: 42542\*\*\***

Voltage\*:  
24V  
Thrust (kg/lbs)\*\*:  
255 / 562  
Propellers:  
Duo  
Power (kw/hp):  
19.69 / 26.4  
Weight (kg):  
59

**Dimensions (mm)**

A: 250  
B: 250  
C: 480  
D: 315  
E: 9 to 10





**Max Power's new range of Ignition Protected tunnel thrusters is available for models CT35 to CT125. Certified ISO 8846, this range allows the safe use of an electric tunnel thruster in petrol / gas engine vessels where there may be potentially flammable gases. IP thrusters can also be installed in habitually wet or damp areas such as sail lockers, or in the transom of deep "V" shaped motor yachts.**

- Ignition Protected to ISO 8846 and water resistant
- Easy to connect thruster
- Patented composite drive leg
- Zero maintenance
- Case hardened spiro-conical gears
- Line shields
- Purpose built DC motors
- Electronic control boxes for unrivaled safety features
- Safe, high power connections
- Purpose built high specification DC contactors



Ignition Protected and water resistant.



Easy to connect thruster. Robust metallic frame.

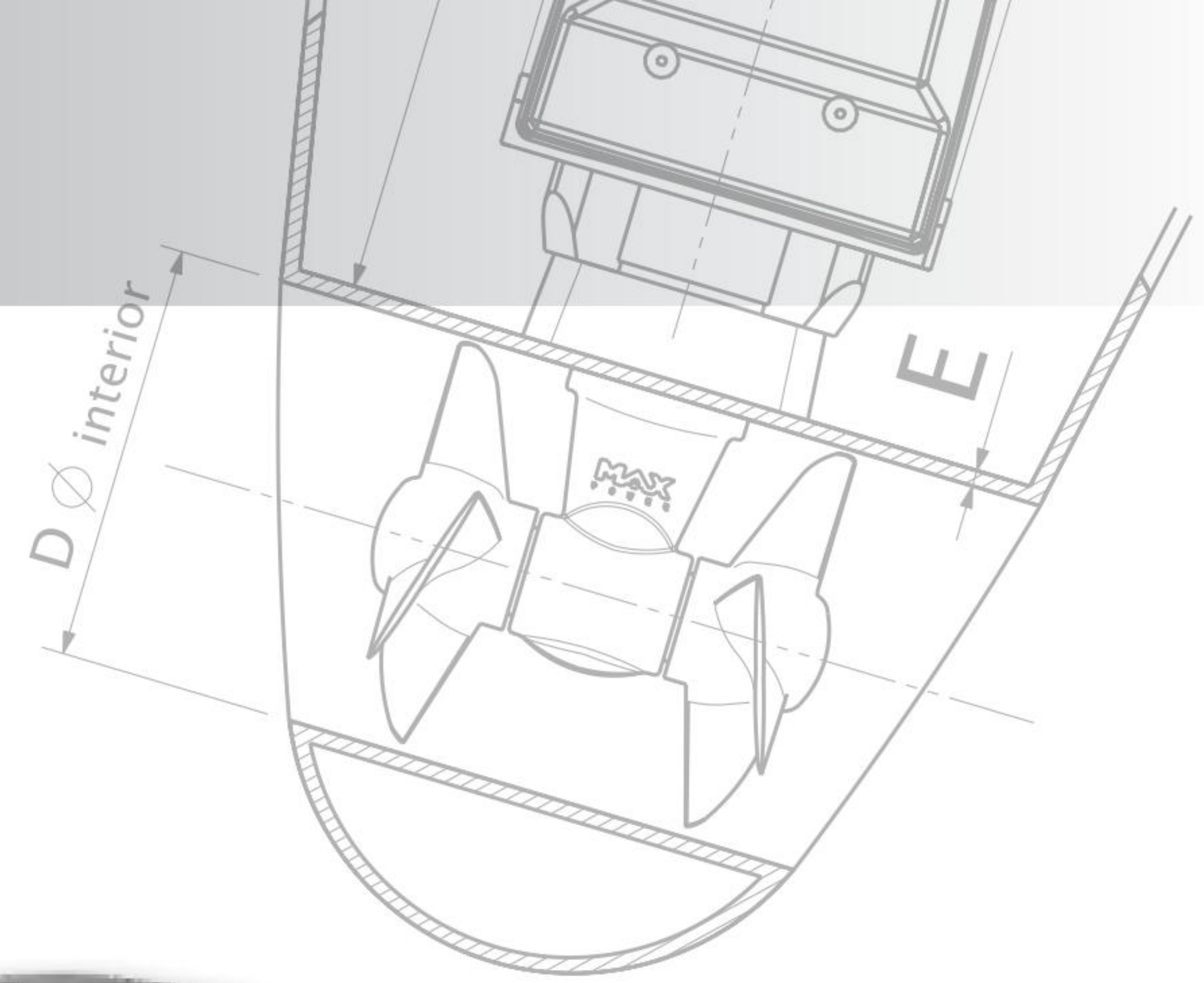
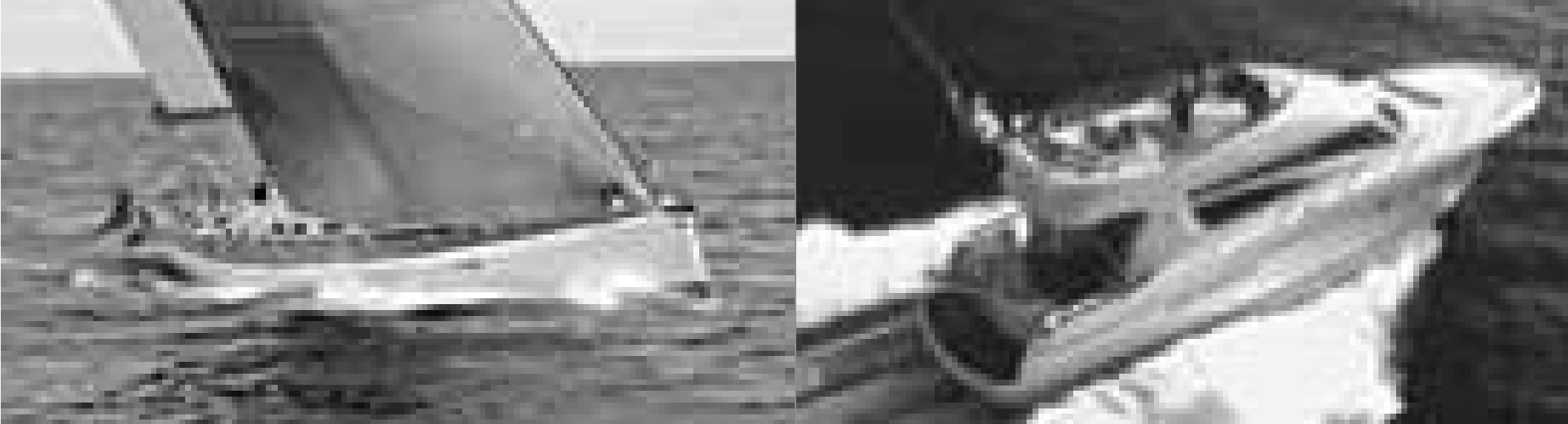


Unique composite drive leg design. See page 8 for full details.



High specification electric motors. See page 8 for full details.





### ■ CT35-IP

**Code: 317609** 12V  
Weight (kg): 11.6

**Dimensions (mm)**

- A: 301
- B: 230
- C: 295
- D: 125
- E: 4 to 5

### ■ CT45-IP

**Code: 317610** 12V  
Weight (kg): 11.65

**Dimensions (mm)**

As CT35-IP



### ■ CT60-IP

**Code: 317611** 12V  
Weight (kg): 17.3

**Dimensions (mm)**

- A: 320
- B: 255
- C: 375
- D: 185
- E: 6 to 7

### ■ CT80-IP

**Code: 317613** 12V  
**Code: 317614** 24V  
Weight (kg): 17.6

**Dimensions (mm)**

As CT80-IP



### ■ CT 100-IP

**Code: 317615** 12V  
Weight (kg): 27.2

**Dimensions (mm)**

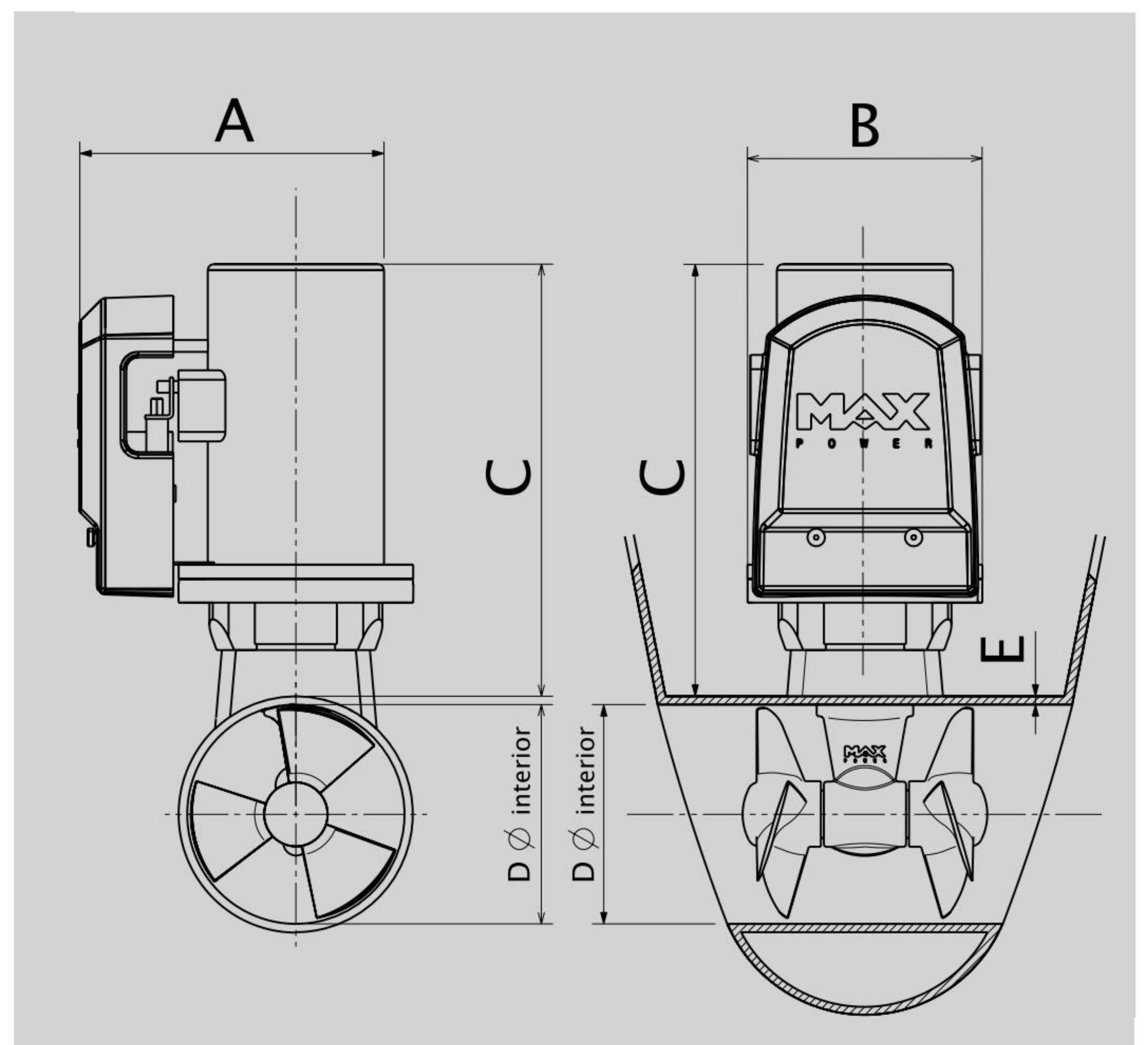
- A: 390
- B: 305
- C: 490
- D: 185
- E: 6 to 7

### ■ CT 125-IP

**Code: 317616** 24V  
Weight (kg): 27.2

**Dimensions (mm)**

As CT100-IP



NB: Images are not to scale.  
For IP thruster specifications, see corresponding electric tunnel thruster model.





**Max Power's range of hydraulic tunnel thrusters are suitable for medium to heavy displacement, high windage vessels from 40-85'. Designed for durability and performance, hydraulic tunnel thrusters are ideal when long runtimes are required. Manufactured using corrosion free components, these models are robust, water resistant and integrate a variety of unique features.**

- Branded hydraulic components
- Long runtimes
- Water resistant
- Patented composite drive legs
- Zero maintenance
- Case hardened spiro-conical gears
- Line shields
- Electronic control boxes for unrivaled safety features



Branded hydraulic components for international serviceability.



Can be installed in habitually damp areas such as sail lockers.

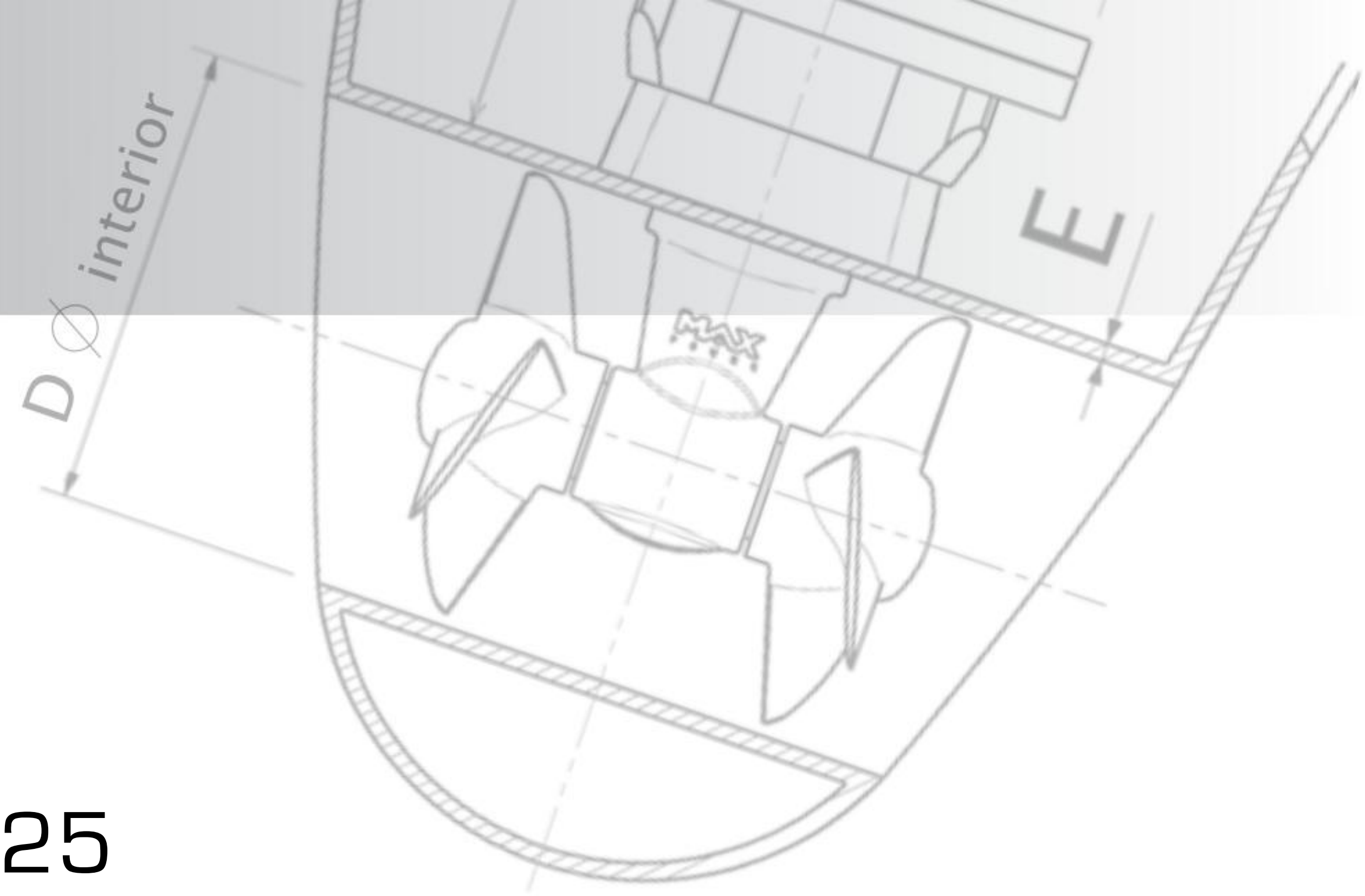
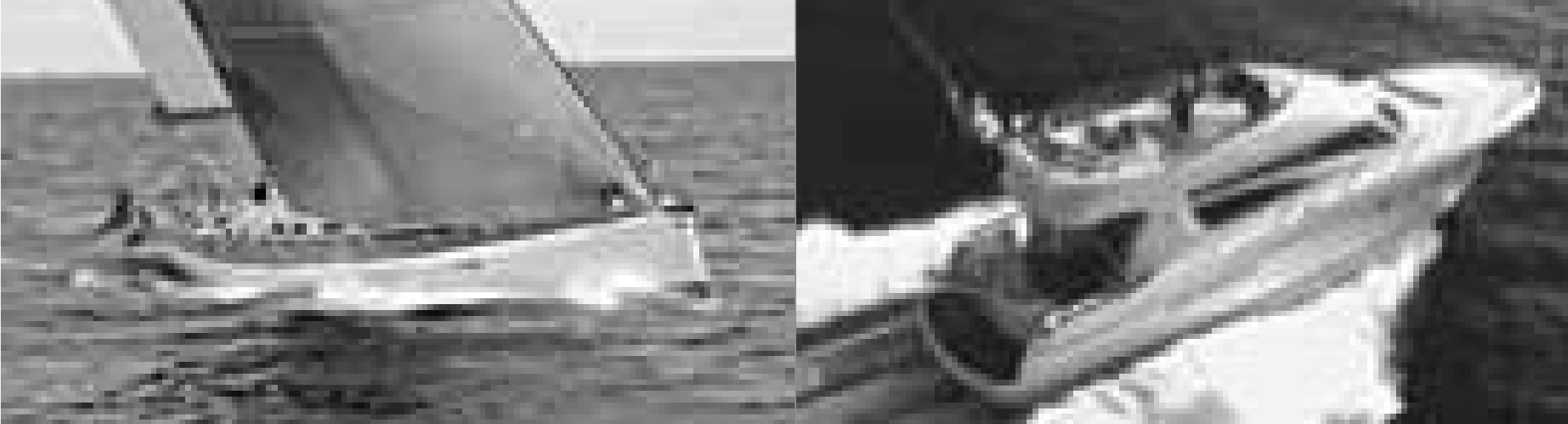


Unique composite drive leg design. See page 8 for full details.



Electronic control boxes offer unique and unrivaled safety features.





## CT HYD 125

### **Code: 317588\***

Max. thrust (kg/lbs)\*\*:  
140/308  
Hydraulic power (kw):  
13.5  
Propellers:  
Duo  
Weight (kg):  
12

### **Dimensions (mm)**

A: 210  
B: 210  
C: 215  
D: 185  
E: 6 to 7

### **Code: 317589\***

Max. thrust (kg/lbs)\*\*:  
90 / 198  
Hydraulic power (kw):  
7.5  
Propellers:  
Duo  
Weight (kg):  
12

### **Dimensions (mm)**

A: 210  
B: 210  
C: 215  
D: 185  
E: 6 to 7

### **Code: 317590\***

Max. thrust (kg/lbs)\*\*:  
120 / 264  
Hydraulic power (kw):  
11  
Propellers:  
Duo  
Weight (kg):  
12

### **Dimensions (mm)**

A: 210  
B: 210  
C: 215  
D: 185  
E: 6 to 7



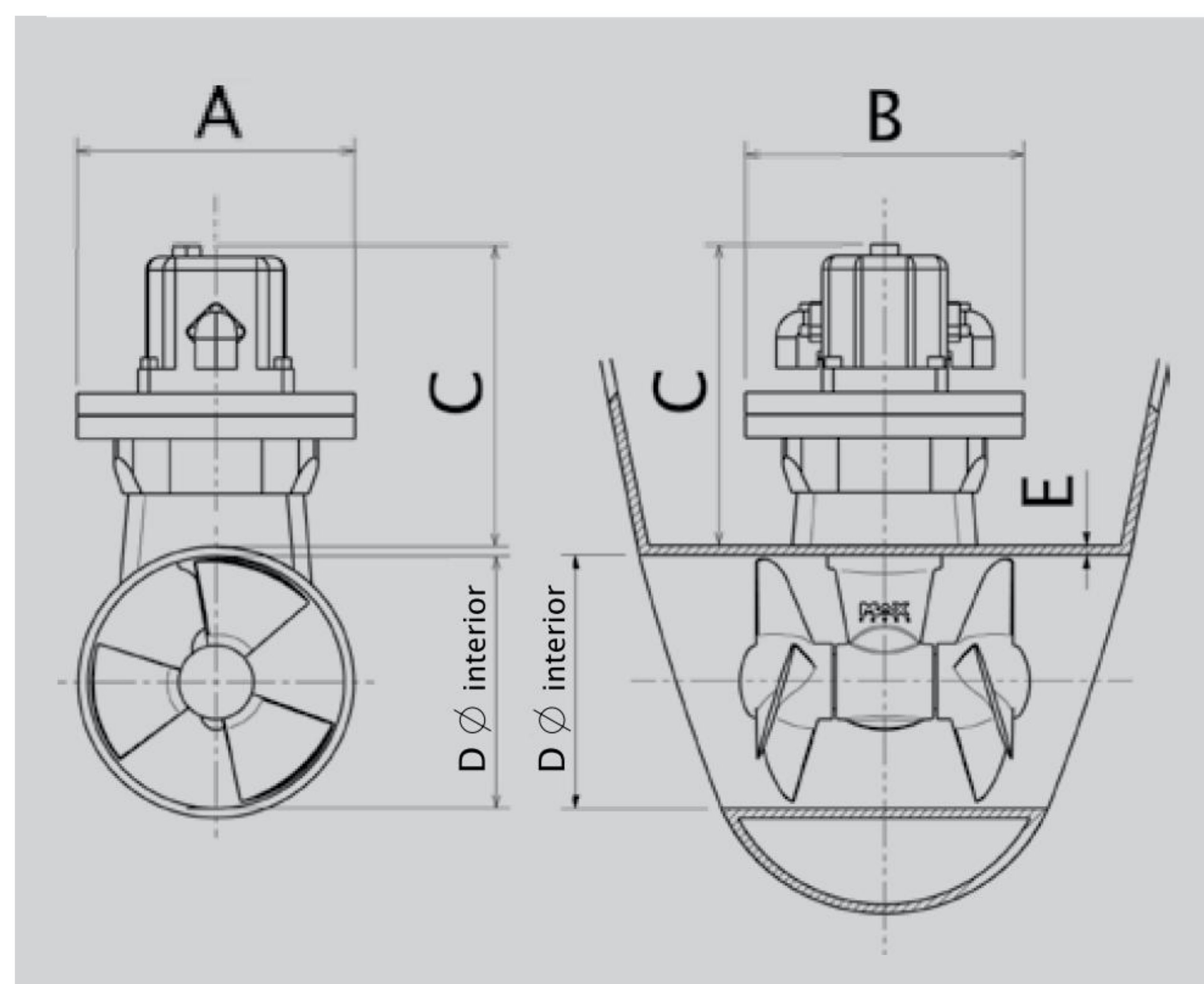
## CT HYD 225

### **Code: 317591\***

Max. thrust (kg/lbs)\*\*:  
200 / 441  
Hydraulic power (kw):  
13.5  
Propellers:  
Duo  
Weight (kg):  
19

### **Dimensions (mm)**

A: 220  
B: 220  
C: 220  
D: 250  
E: 7 to 8



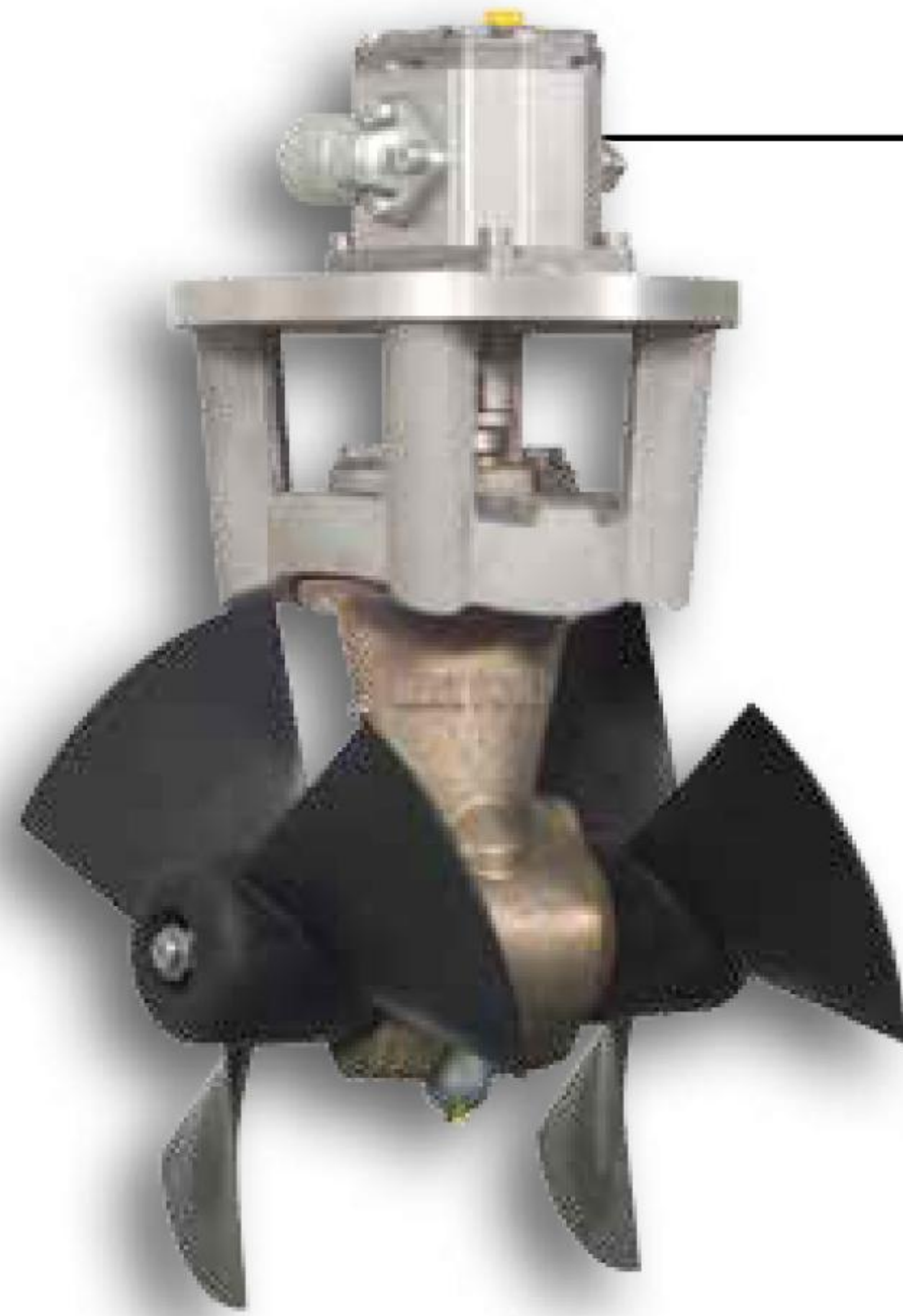
NB: Images are not to scale

\* Several versions of each model are available. Please consult your local Max Power distributor.

\*\* Performance data is given for a thruster installed at an immersion depth of one tunnel's diameter, in a tunnel no longer than twice the tunnel's diameter, and this within a variation of + / - 6%. Longer tunnels will result in lower thrust ratings.

\*\*\* Model only available with bronze driveleg.





## CT HYD 300

**Code: 317607\* / \*\*\***

Max. thrust (kg/lbs)\*\*:  
240/529

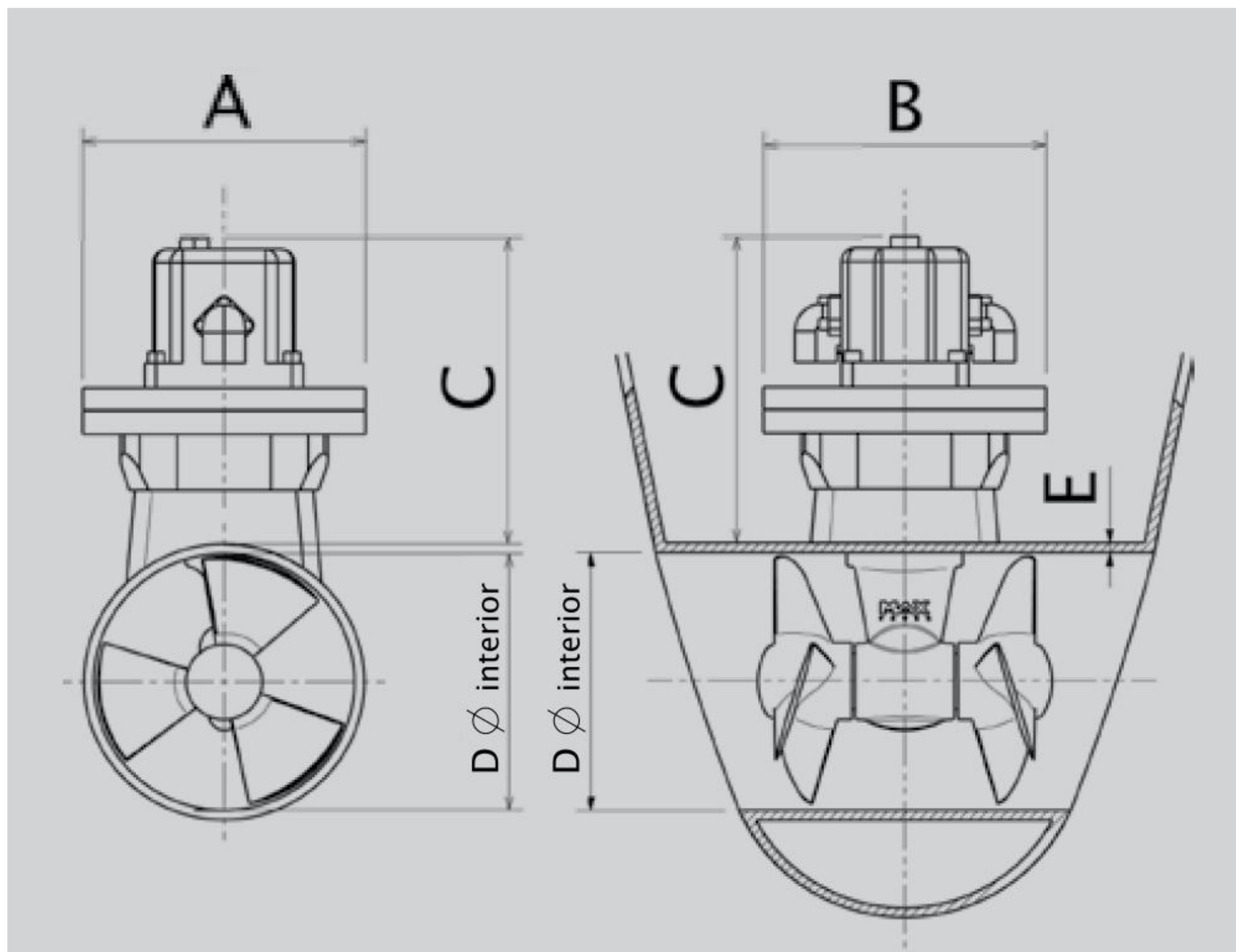
Hydraulic power (kw):  
19.5

Propellers:  
Duo

Weight (kg):  
24

### Dimensions (mm)

A: 240  
B: 240  
C: 240  
D: 300  
E: 9 to 10

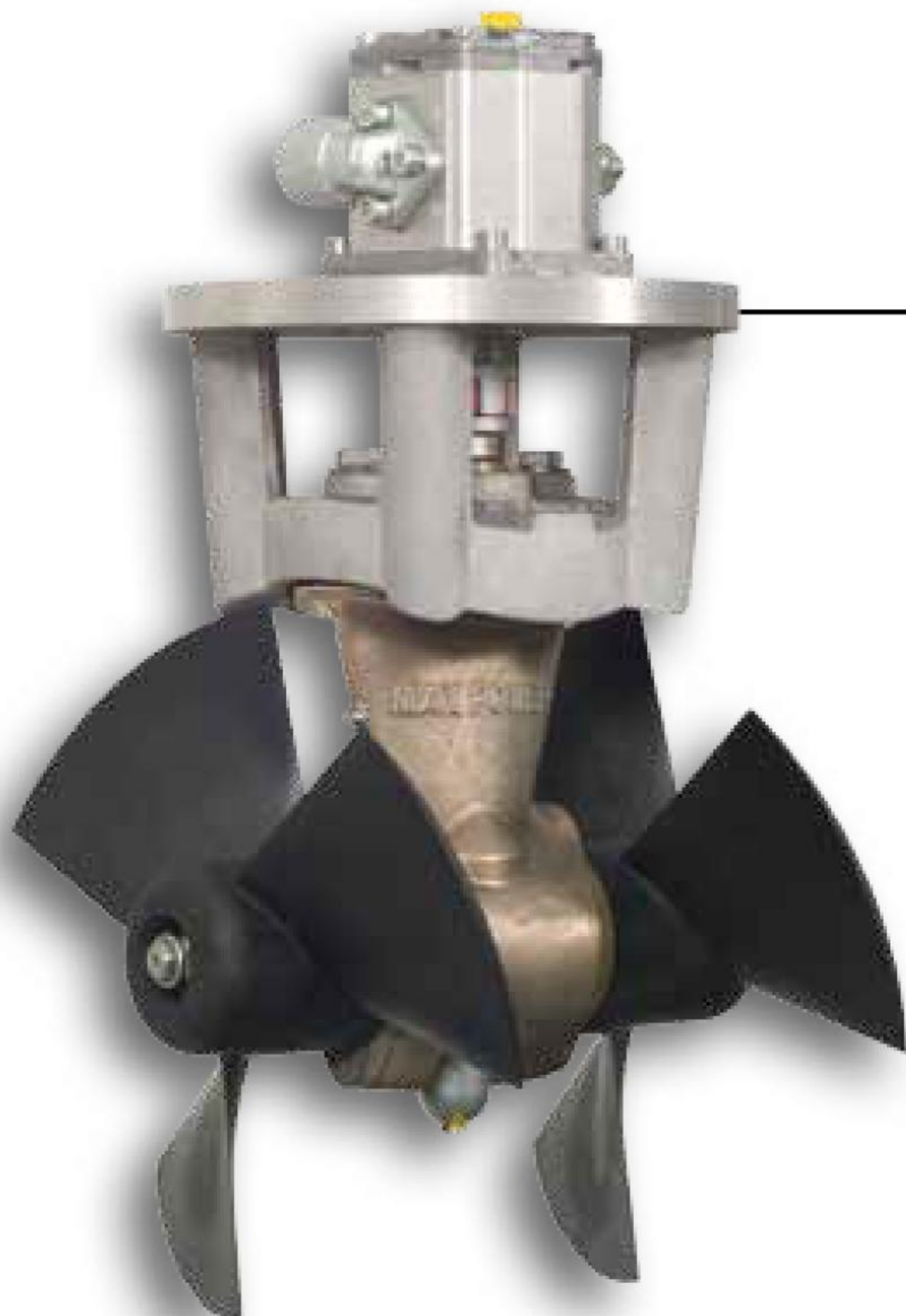


NB: Images are not to scale

\* Several versions of each model are available. Please consult your local Max Power distributor.

\*\* Performance data is given for a thruster installed at an immersion depth of one tunnel's diameter, in a tunnel no longer than twice the tunnel's diameter, and this within a variation of + / - 6%. Longer tunnels will result in lower thrust ratings.

\*\*\* Model only available with bronze driveleg.



## CT HYD 325

**Code: 317598\* / \*\*\***

Max. thrust (kg/lbs)\*\*:  
250 / 551

Hydraulic power (kw):  
14

Propellers:  
Duo

Weight (kg):  
24

### Dimensions (mm)

A: 240  
B: 240  
C: 240  
D: 315  
E: 9 to 10

**Code: 317599\* / \*\*\***

Max. thrust (kg/lbs)\*\*:  
275 / 606

Hydraulic power (kw):  
20

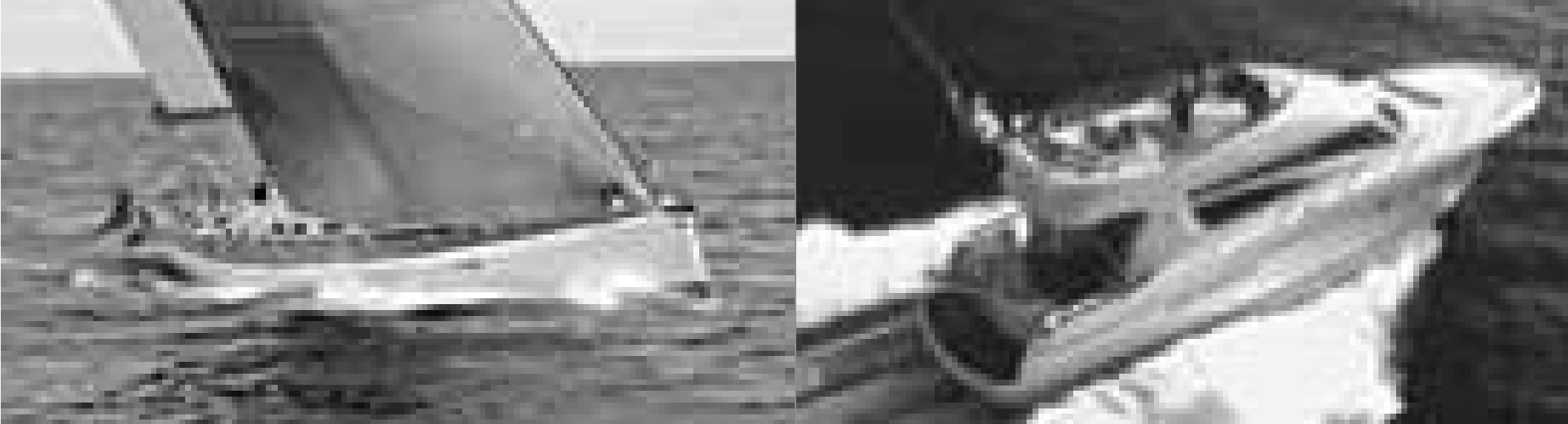
Propellers:  
Duo

Weight (kg):  
24

### Dimensions (mm)

A: 240  
B: 240  
C: 240  
D: 315  
E: 9 to 10





# Stern pod thruster

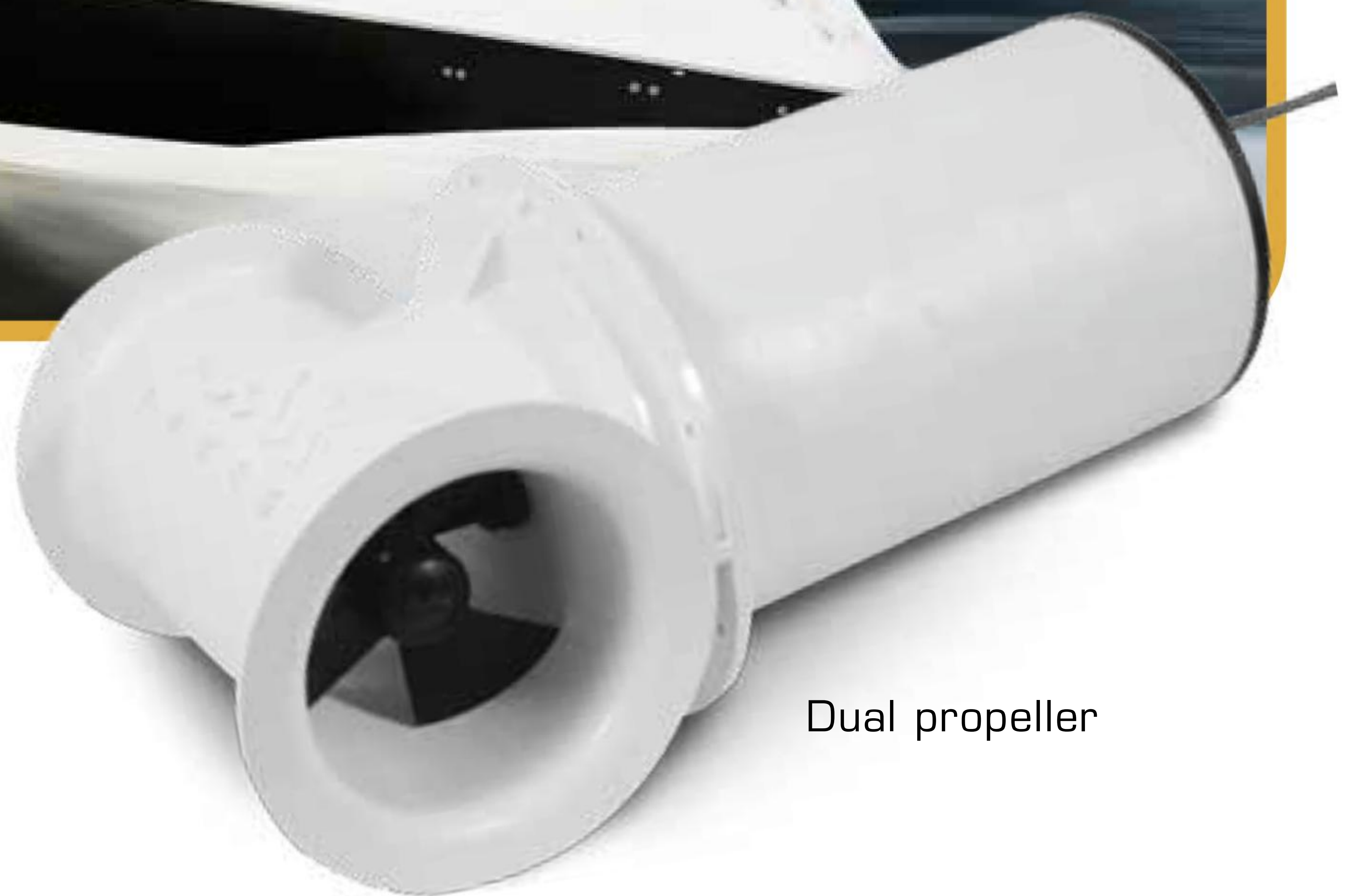


The Max Power Stern Pod offers an innovative solution to the often difficult task of installing a thruster into the stern of modern motor yachts.

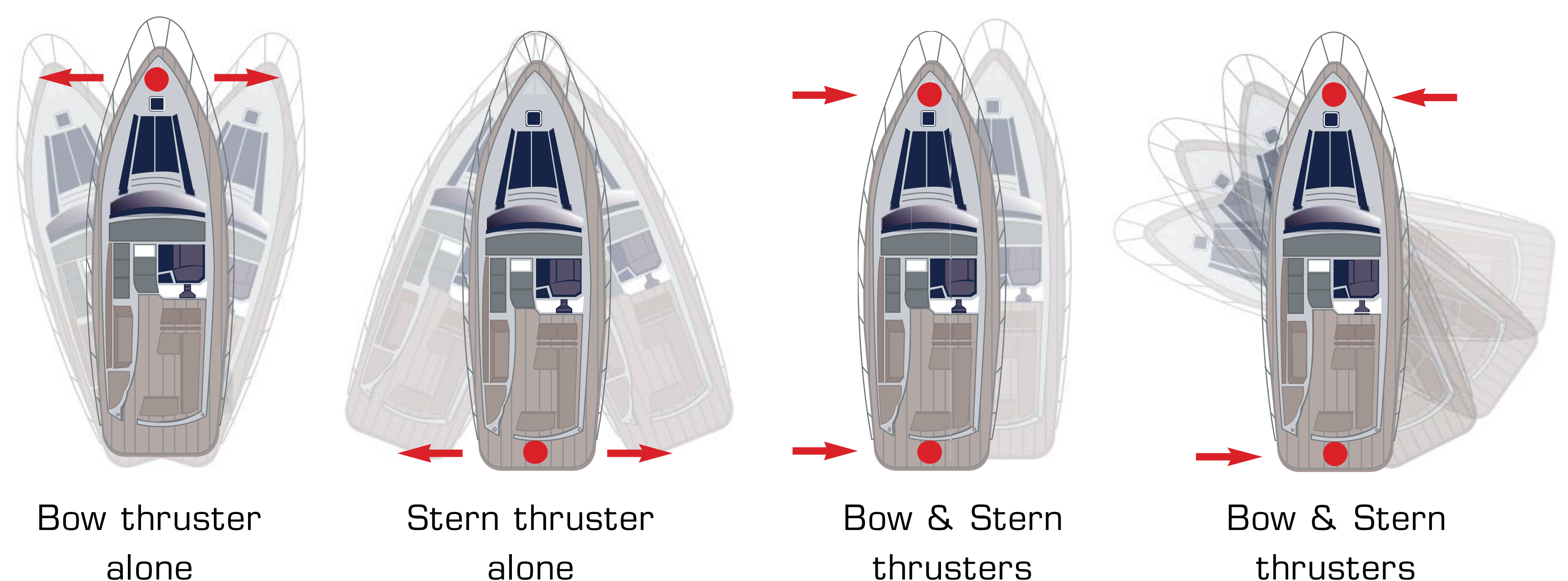
Combining a dry area on the stern with correct immersion depth and sufficient access is often a challenge.

Designed with these constraints in mind, Stern Pod units can be installed entirely from the outside of the transom, reducing greatly the need for inside access. This allows greater immersion depth to be achieved.

The Stern Pod housing is waterproof and ignition protected (ISO 8846) designed to withstand the corrosive damp atmosphere of the bilge. Entirely assembled and tested in our factory, Stern Pod units guarantee long term trouble-free operation with only minimal maintenance care.



Dual propeller



Bow thruster alone

Stern thruster alone

Bow & Stern thrusters

Bow & Stern thrusters

Code	317625	317628	317629	317630	317631	317632	317633
Model	CT45	CT80		CT100	CT125	CT165	CT225
Boat size	6m - 10.5m 20 - 34'	8.5m - 14m 28 - 46'		9.8m - 15.5m 32 - 51'	10.5m - 18m 34 - 59'	12m - 20m 40 - 66'	14m - 22m 46 - 73'
Voltage	12 V	12 V	24 V	12 V	24 V	24 V	24 V
Thrust up to	45 kg	69 kg	75 kg	96 kg	115 kg	160 kg	195 kg
Power	3.2 kW / 4.3 hp	4.8 kW / 6.4 hp	5.3 kW / 7.1 hp	7.1 kW / 9.5 hp	8.6 kW / 11.5 hp	11.9 kW / 15.9 hp	15 kW / 20 hp
Weight	21 kg	31 kg	31 kg	41 kg	41 kg	61 kg	61 kg



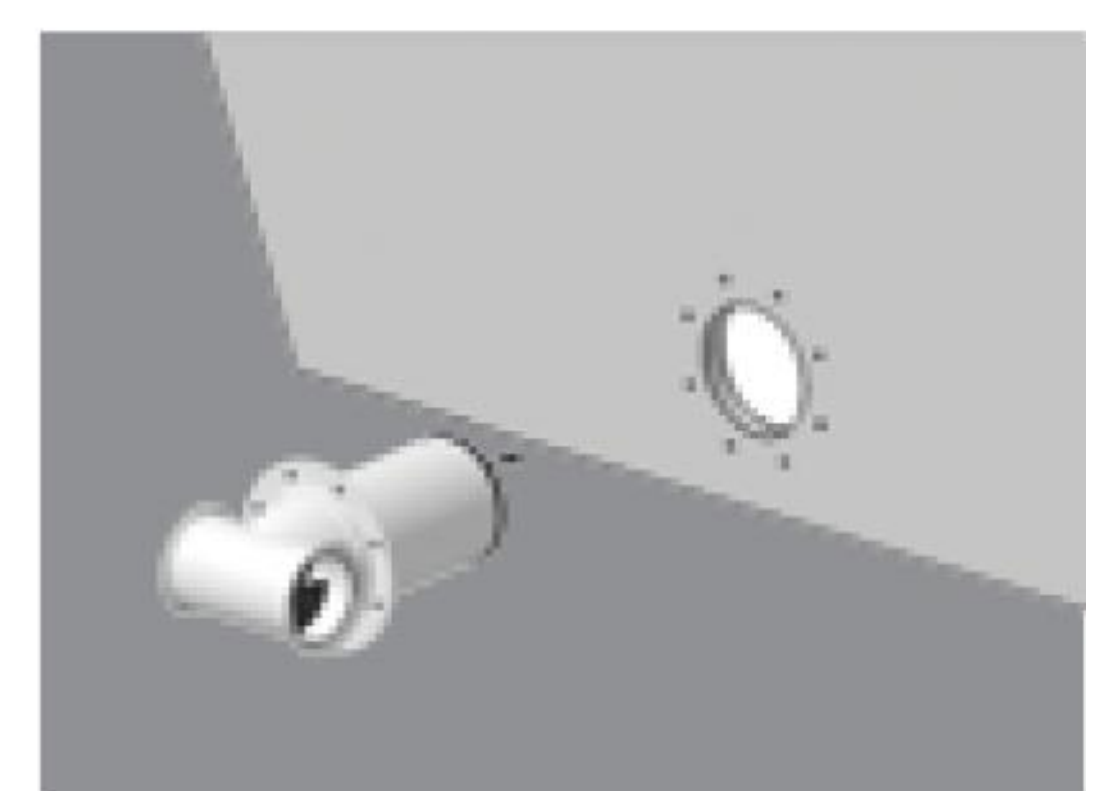
Case hardened spiro-conical gears.



Ignition protected and water resistant.



Watertight seals ensure extra protection



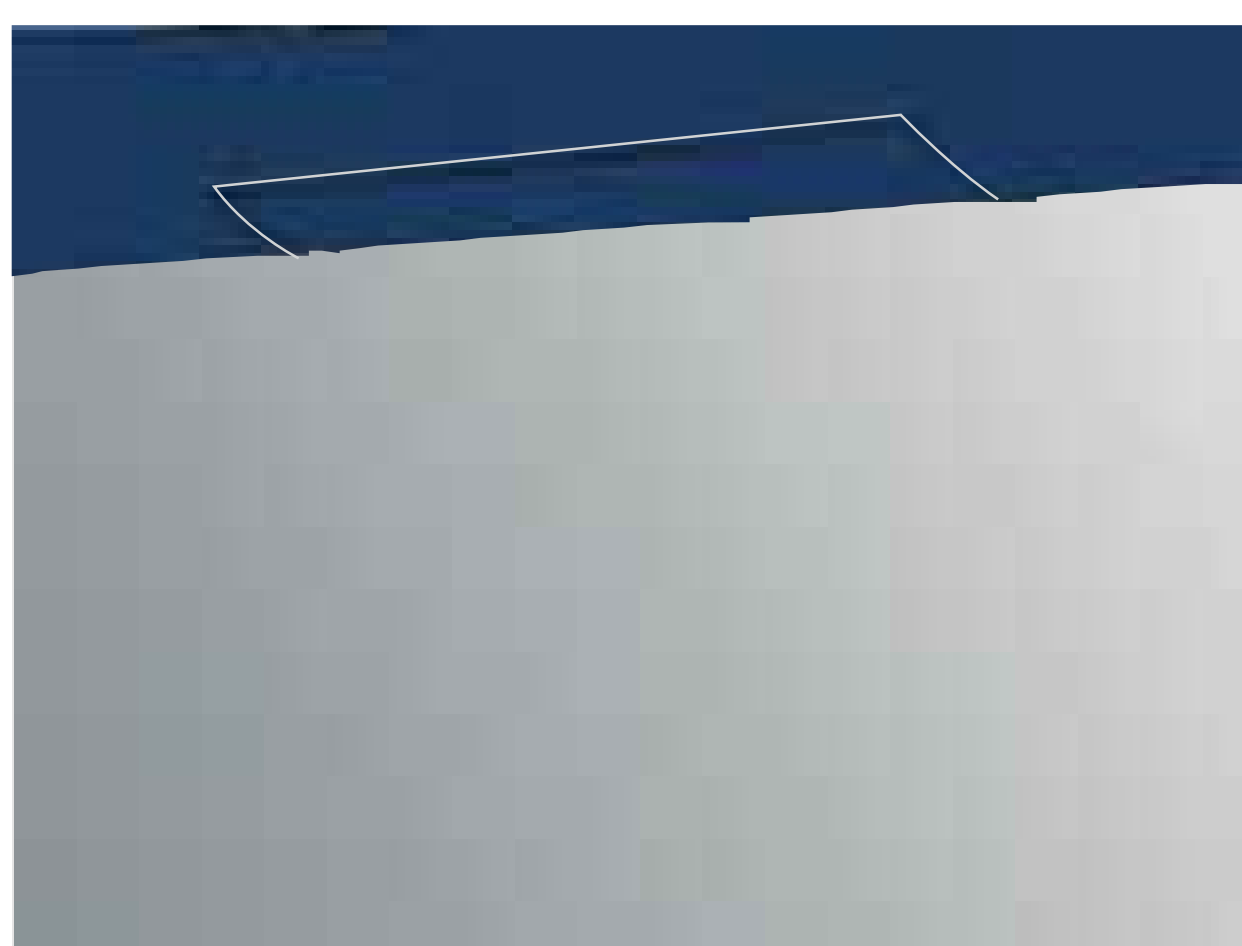
Easy external installation





Combining the cost effective simplicity of DC electronics with the high performance characteristics of retractable units, this range is ideally suited to modern sailing yachts and super fast motor yachts. Max Power offers two different types of electric retractable thrusters: the low profile Compact Retract™ and the vertically retracting VIP 150 Electric, catering for yachts from 30-60'. (Max Power patented designs).

- Retract to leave smooth hull lines
- When deployed ideal immersion depth is achieved
- Patented composite drive legs
- Zero maintenance
- Case hardened spiro-conical gears
- Line shields
- Purpose built DC motors
- Electronic control boxes for unrivaled safety features
- Safe, high power connections
- Purpose built high specification DC contactors



When retracted hull lines are left smooth and unaffected.



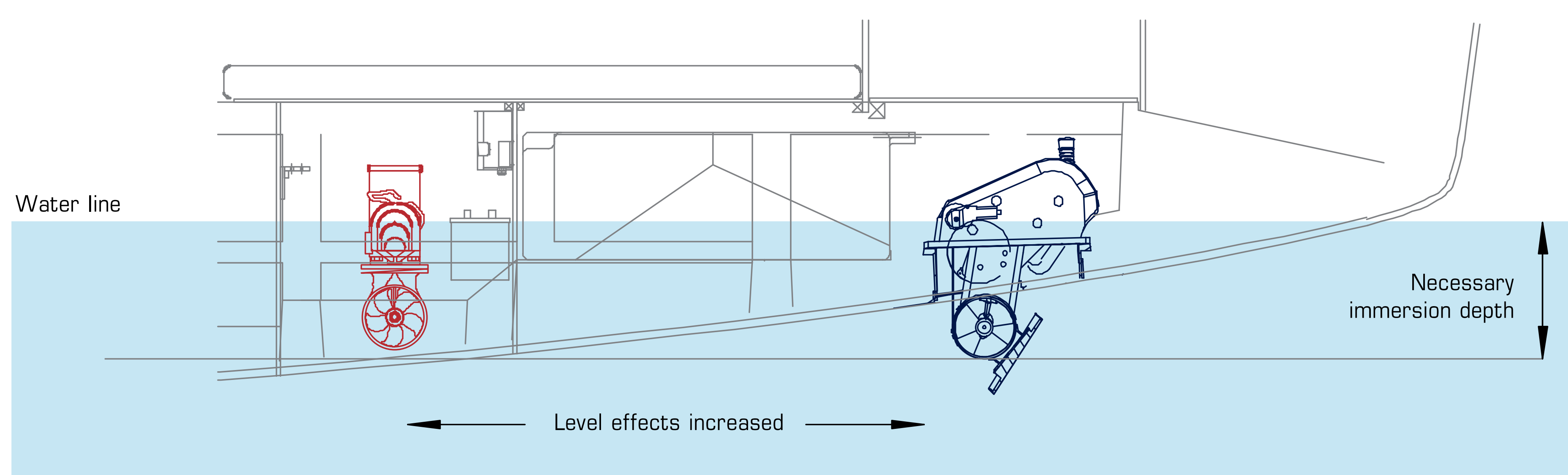
When deployed ideal immersion depth is achieved.



Unique composite drive leg design. See page 8 for details.

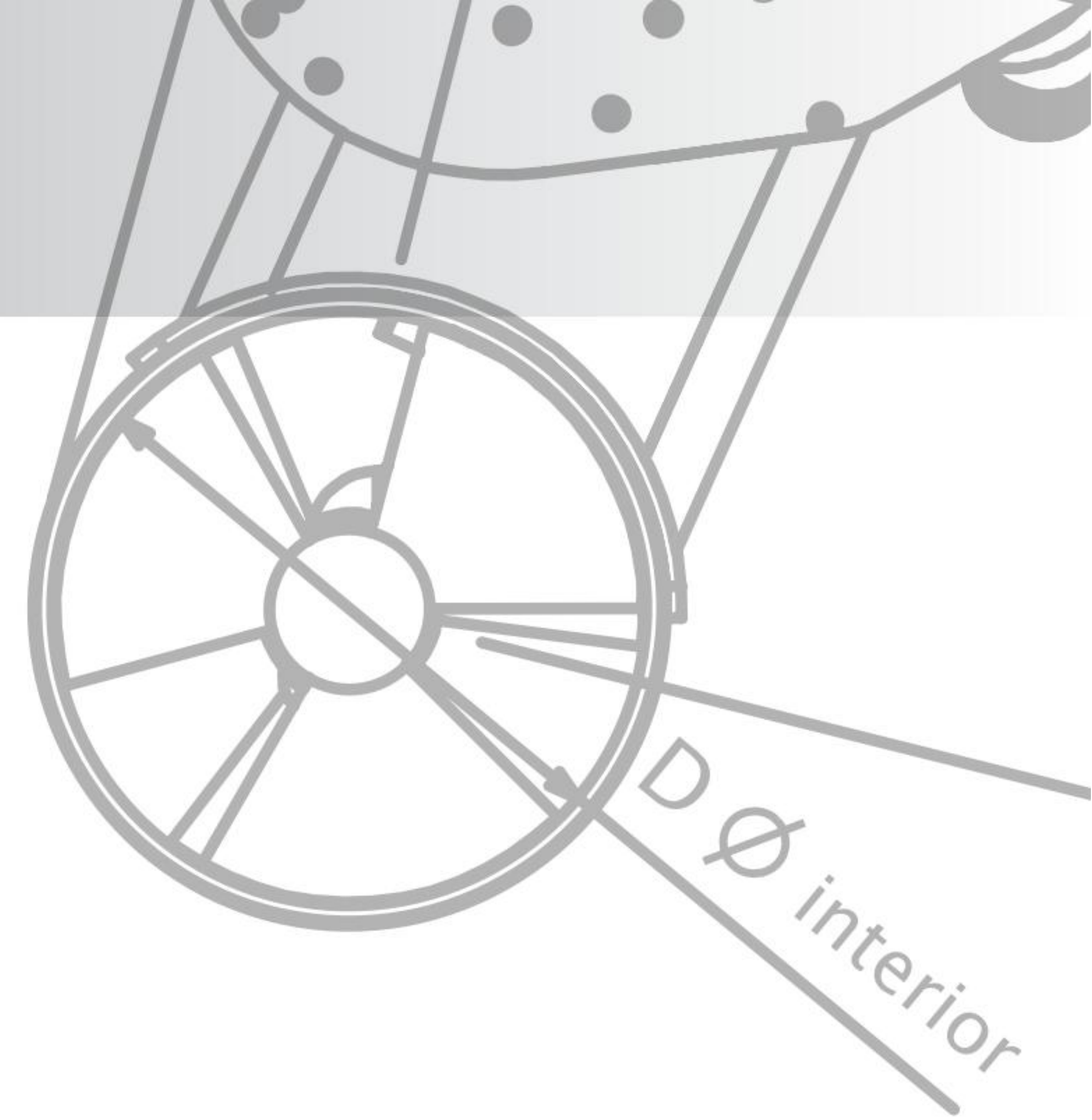
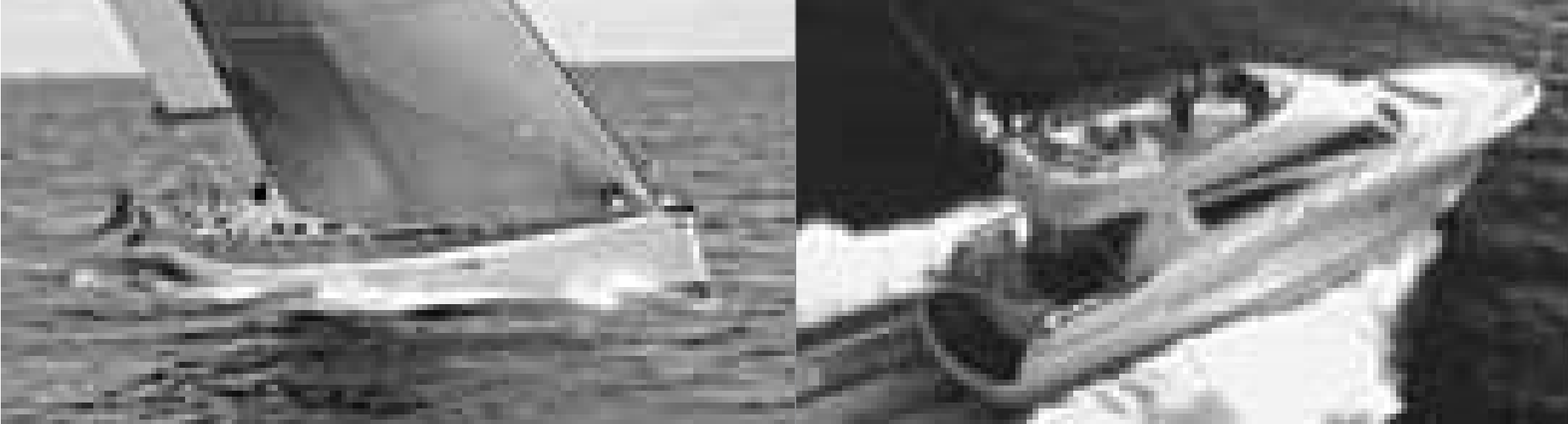


High specification electric motors. See page 8 for details.



Installed further forward (or aft) in the hull than is possible with a tunnel thruster, retractable units offer a far better turning moment on the yacht thus producing greater manoeuvrability.





## COMPACT RETRACT™

### **Code: 317821\*\*\***

Voltage\*:  
12V  
Thrust (kg/lbs)\*\*:  
70 / 154  
Propellers:  
Duo  
Power (kw/hp):  
4.79 / 6.4  
Weight (kg):  
40

### **Code: 317822\*\*\***

Voltage\*:  
24V  
Thrust (kg/lbs)\*\*:  
85 / 187  
Propellers:  
Duo  
Power (kw/hp):  
5.28 / 7.1  
Weight (kg):  
40

### **Dimensions (mm)**

A: 555  
B: 388  
C: 385  
D: 185  
E: 241

Designed for yachts from 9 to 16 metres (30-52'). This lightweight electric retractable thruster, the first of its kind, has been a major success with shipyards from the start.

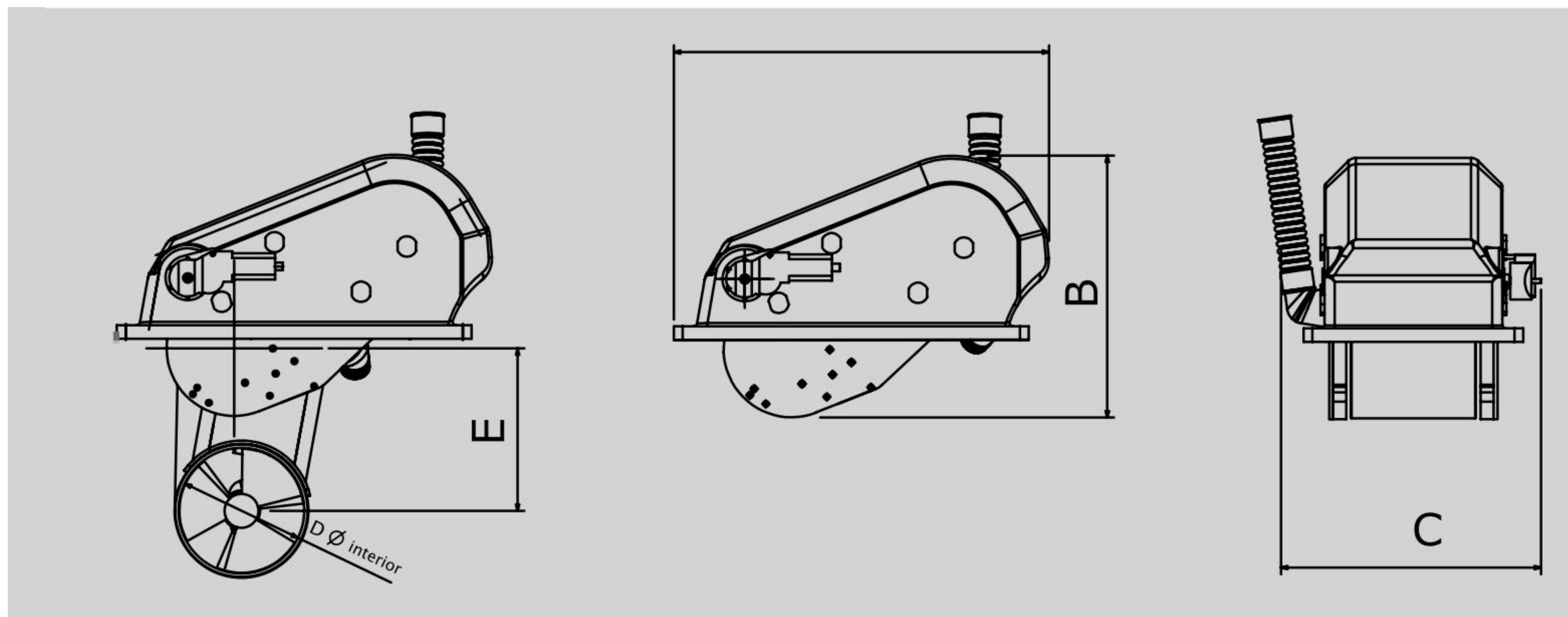
- Lightweight composite construction.
- Lowest profile and smallest hull opening on market.
- Bolted onto flange, not directly laminated into the hull.
- Rapid deployment.
- No exposed moving parts inside yacht.
- Splash resistant inside yacht.
- Intelligent position detection.

The compact retract is delivered with grey joystick and control system cable. Mounting base and other accessories must be ordered separately (see page 29-30)

NB: Images are not to scale

\* Thrusters are designed to run at 10.75V on 12V units and 22V on 24V units. Higher voltages will result in higher thrust ratings, higher power consumption, and a reduced duty cycle.

\*\* Performance data is given for a thruster deployed at an immersion depth of one tunnel's diameter, and this within a variation of + / - 6%.







Max Power's vertically retracting VIP thrusters use a unique and patented thrust plate design. The largest electric thruster in the Max Power range, the VIP 150 is available in both 12V and 24V and is ideally suited to high performance sailing yachts and super fast motor yachts 40-60'

## VIP 150 ELECTRIC

### Code: 35023\*\*\*

Voltage\*:

12V

Thrust (kg/lbs)\*\*:

96 / 212

Propellers:

Duo

Power (kw/hp):

7.1 / 9.5

Weight (kg):

40

### Code: 35024\*\*\*

Voltage\*:

24V

Thrust (kg/lbs)\*\*:

115 / 254

Propellers:

Duo

Power (kw/hp):

8.56 / 11.5

Weight (kg):

40

### Dimensions (mm)

A: 330

B: 290

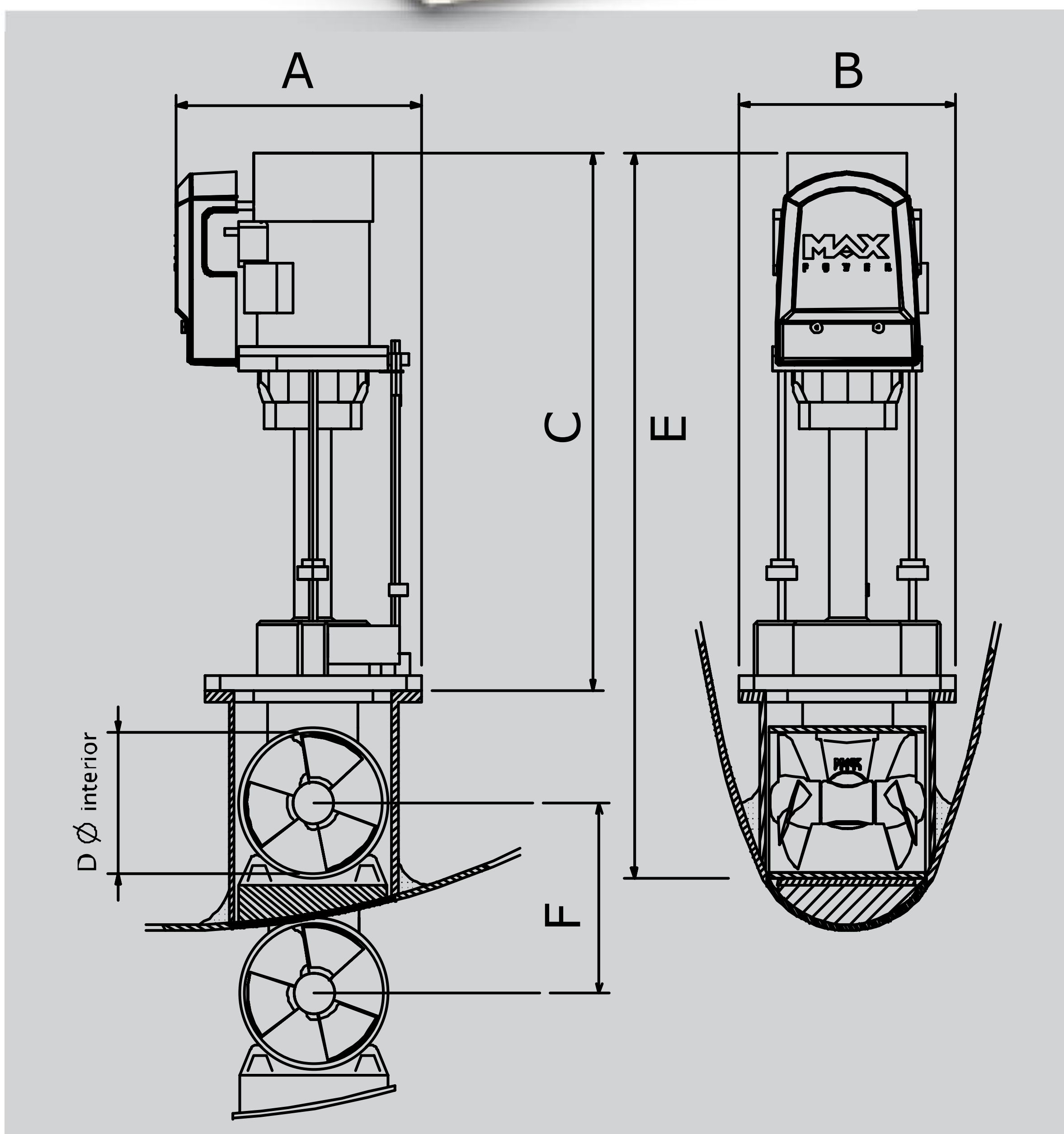
C: 710

D: 185

E: 970

F: 240

The VIP 150 is delivered with black joystick control box and 25m control system cable. Mounting base and other accessories must be ordered separately (see page 29-30)

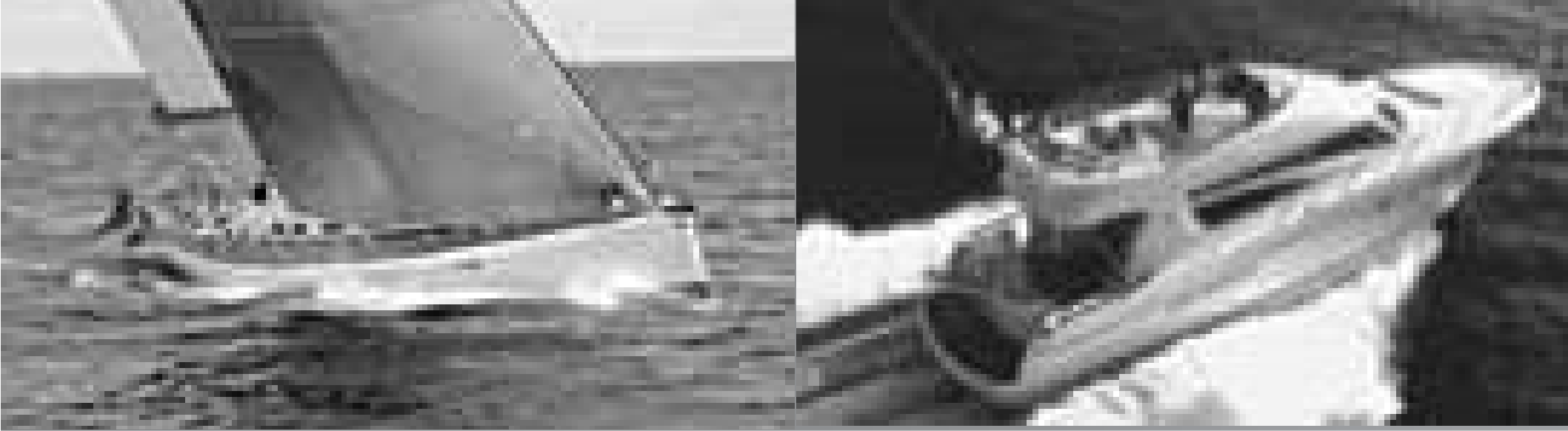


NB: Images are not to scale

\* Thrusters are designed to run at 10.75V on 12V units and 22V on 24V units. Higher voltages will result in higher thrust ratings, higher power consumption, and a reduced duty cycle.

\*\* Performance data is given for a thruster deployed at an immersion depth of one tunnel's diameter, and this within a variation of + / - 6%.



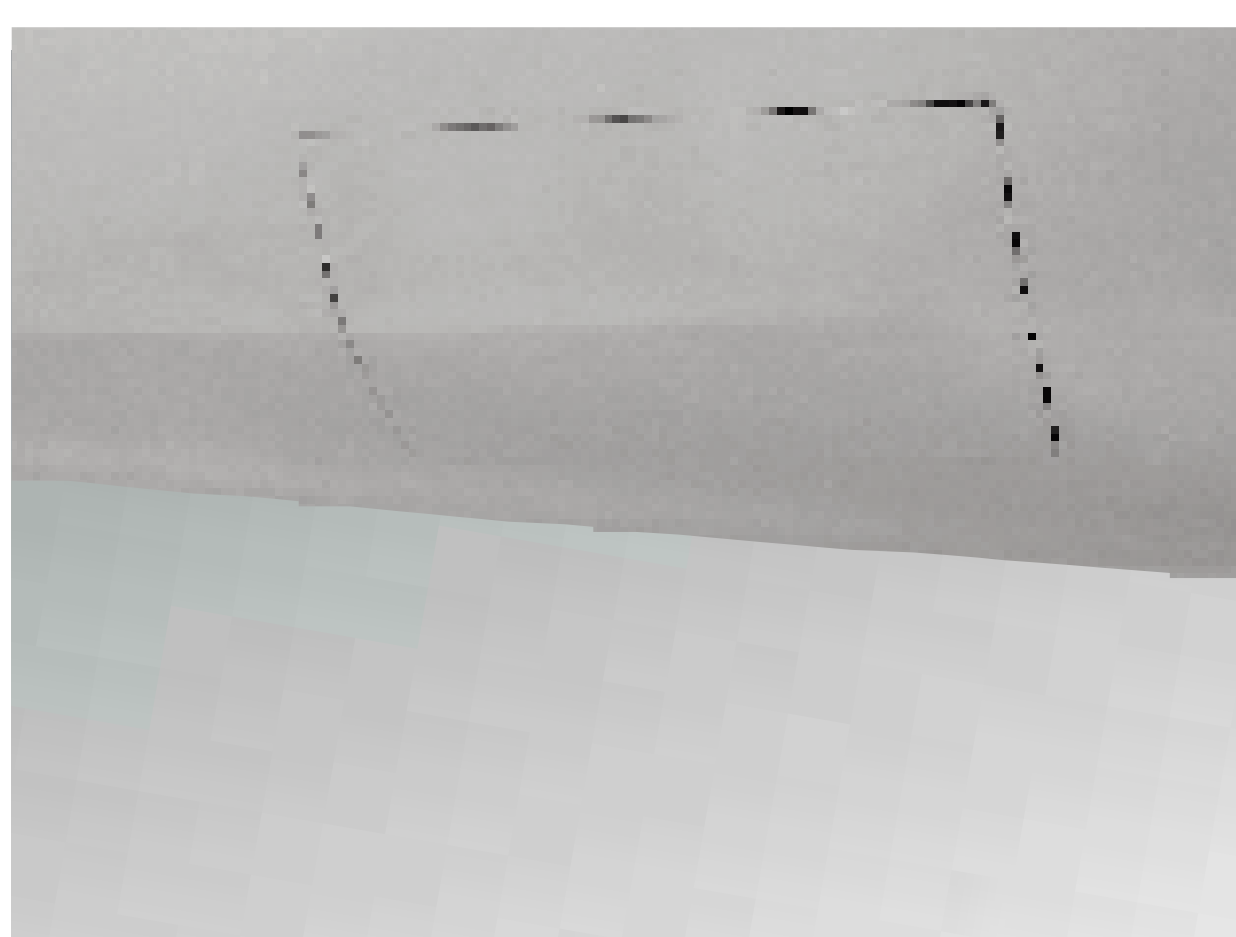


# Hydraulic retractable thrusters

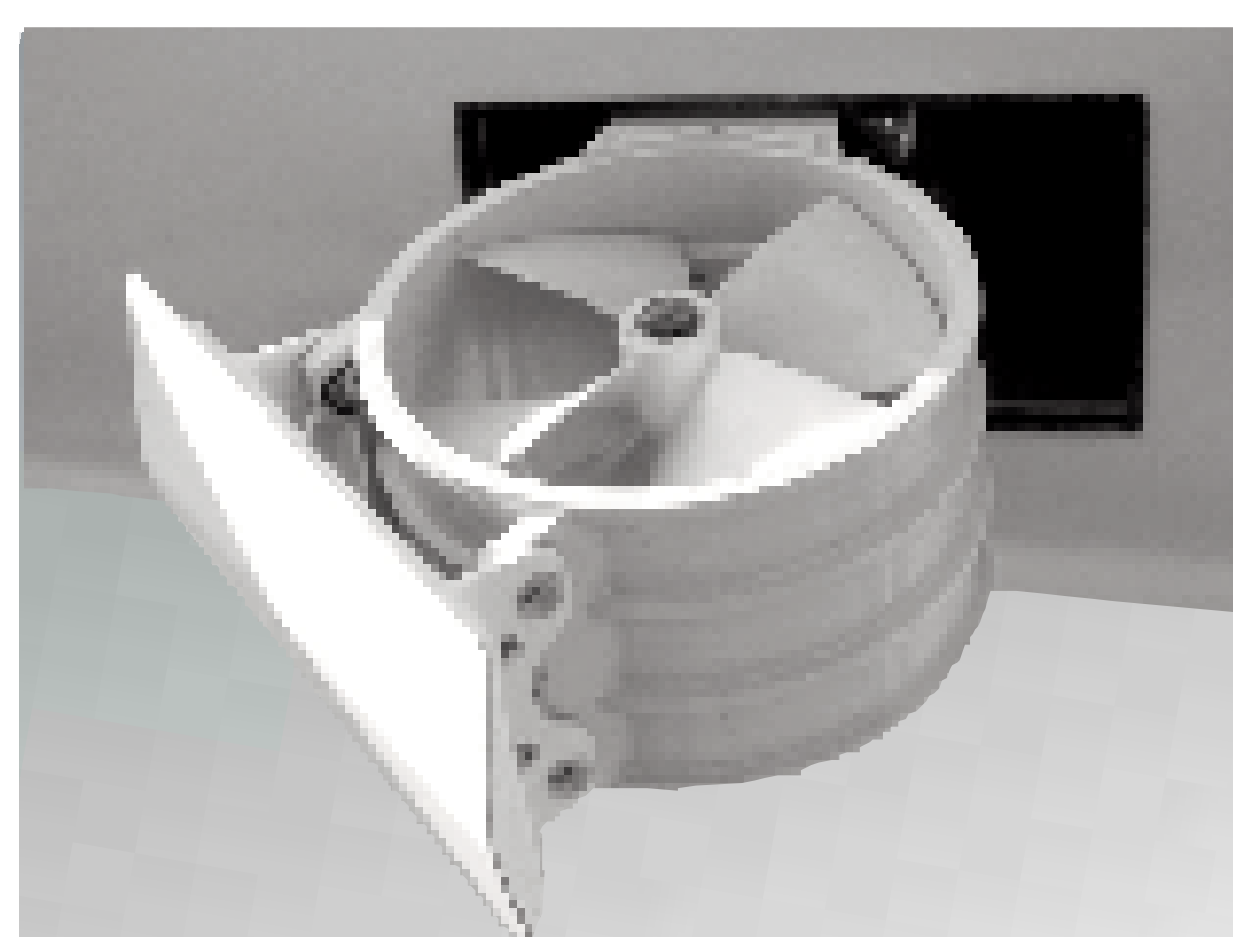


When performance is paramount, hydraulic retractable thrusters provide a perfect solution. Lightweight, powerful and allowing near perfect weight distribution, designers and prestigious yards have consistently specified Max Power thrusters over the years. Max Power offers two product ranges in this family: the vertically retracting VIP HYD range and the top end Retract™ folding series.

- Retract to leave smooth hull lines
- When deployed ideal immersion depth is achieved
- Water resistant
- Allow ideal weight distribution
- Ideal for high performance yachts
- Unique patented thrust plate design (VIP)
- Unique patented folding movement (Retract™)
- Case hardened spiro-conical gears
- Lightweight design



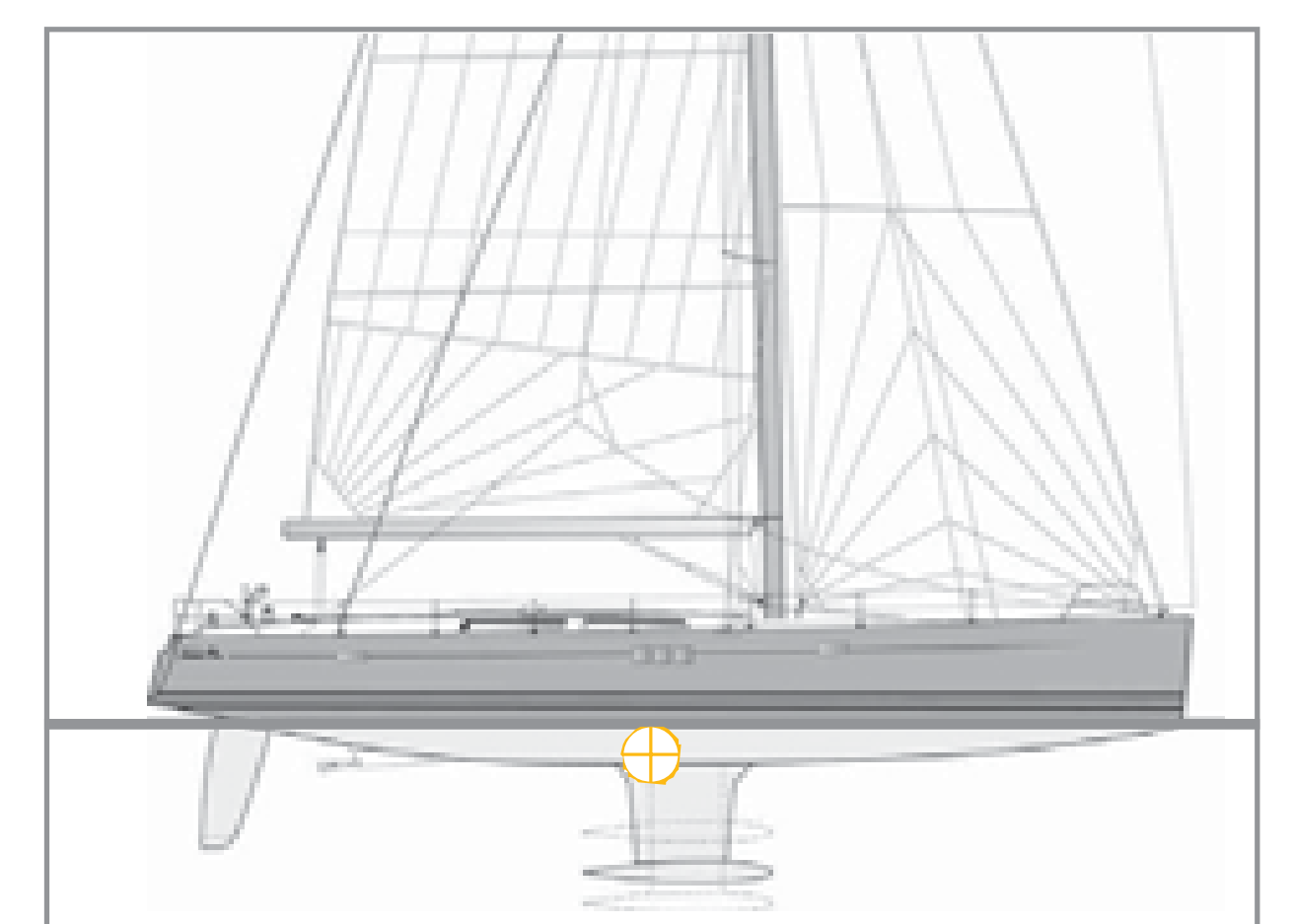
When retracted hull lines are left smooth and unaffected.



When deployed ideal immersion depth is achieved.



Can be installed in habitually damp areas such as sail lockers.



Allow ideal weight distribution in high performance yachts.





## VIP 150 HYD

**Code: 317702** - 12V control

**Code: 317703** - 24V control

Max. thrust (kg/lbs)\*:  
120/264

Hydraulic power (kw):  
10

Propellers:  
Duo

Weight (kg):  
28

### Dimensions (mm)

A: 290

B: 290

C: 580

D: 185

E: 810

F: 240



## VIP250 HYD

**Code: 317705** - 24V control

Max. thrust (kg/lbs)\*:  
200 / 441

Hydraulic power (kw):  
13.5

Propellers:  
Duo

Weight (kg):  
37

### Dimensions (mm)

A: 360

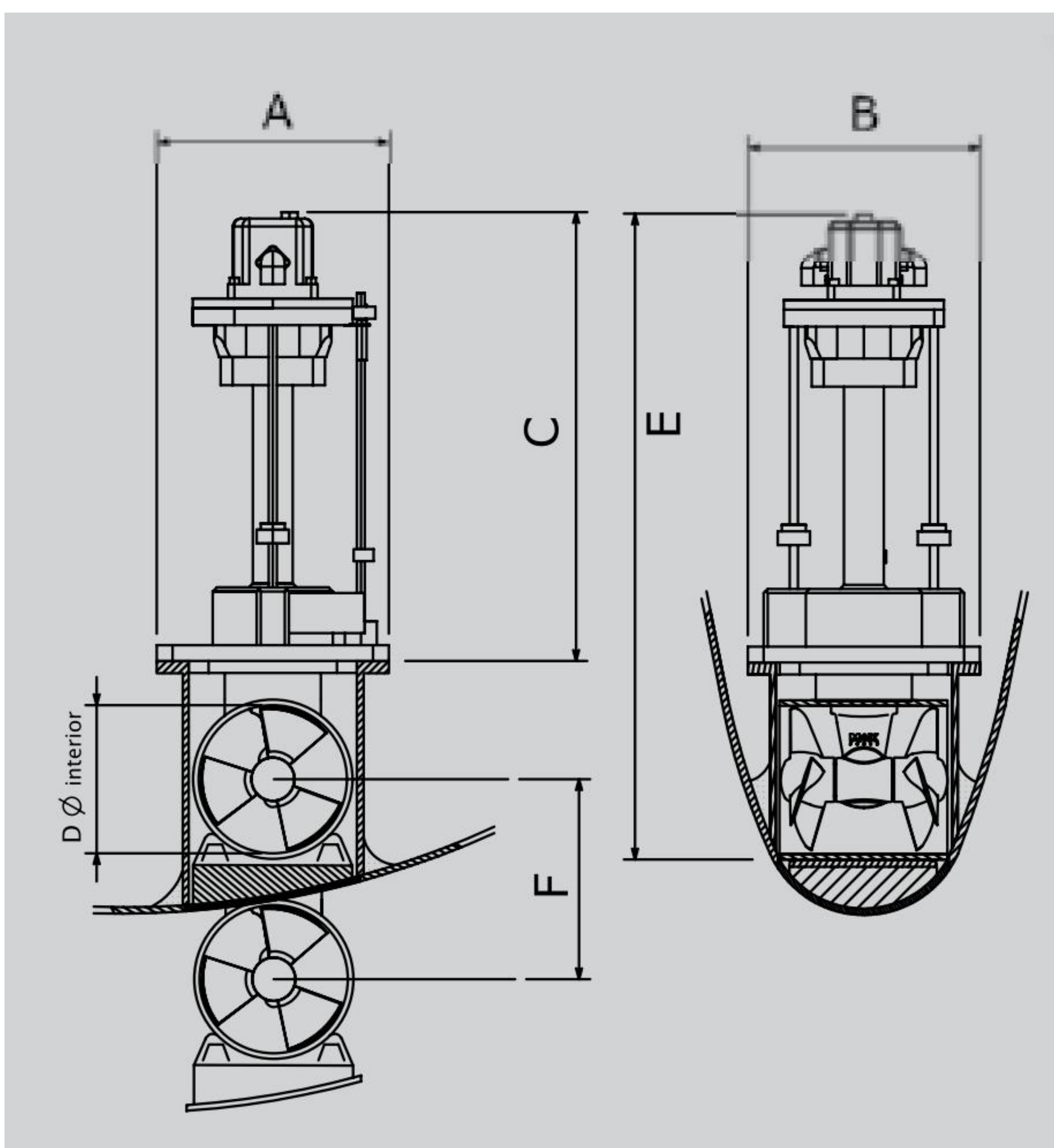
B: 360

C: 620

D: 250

E: 950

F: 295



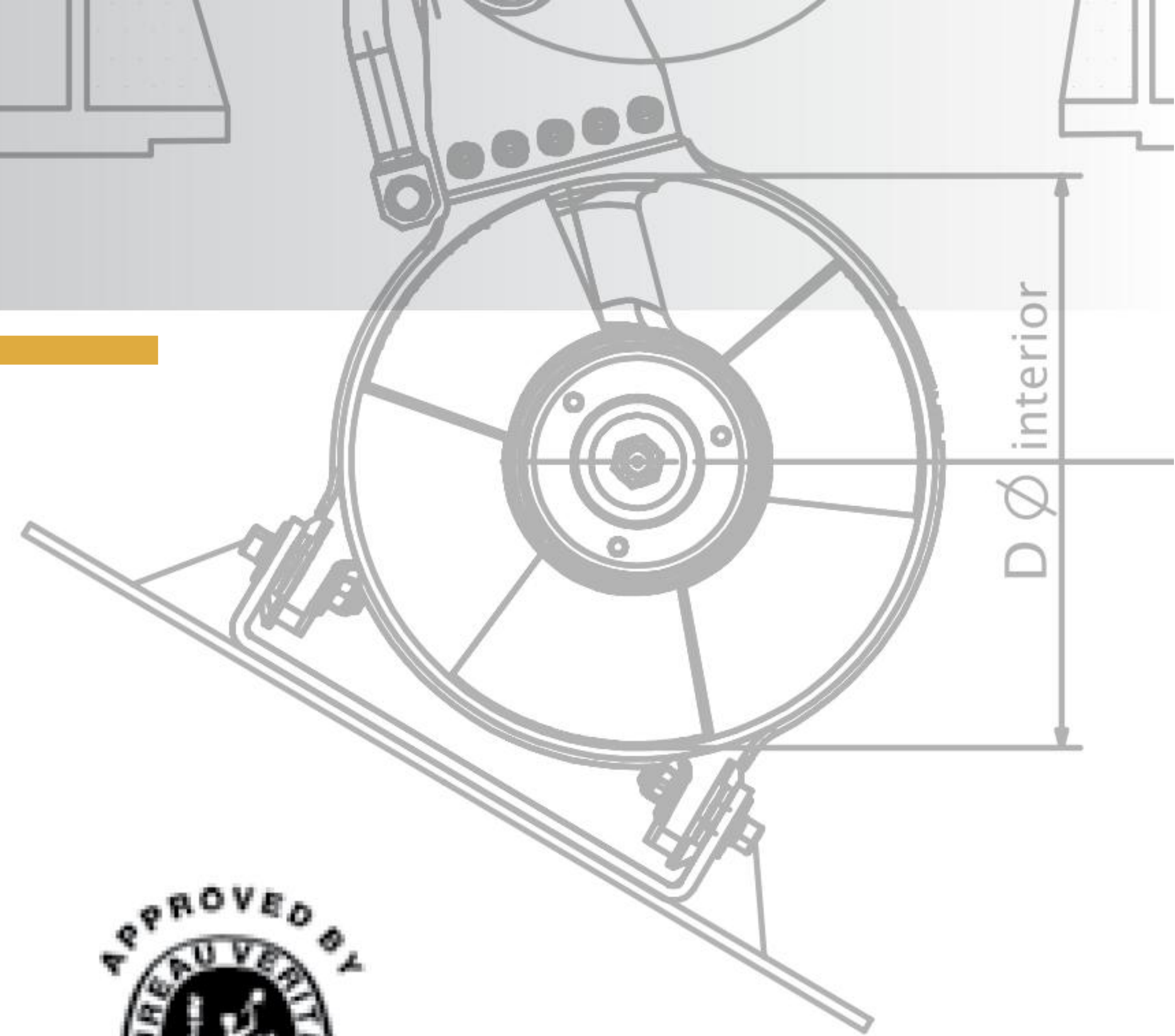
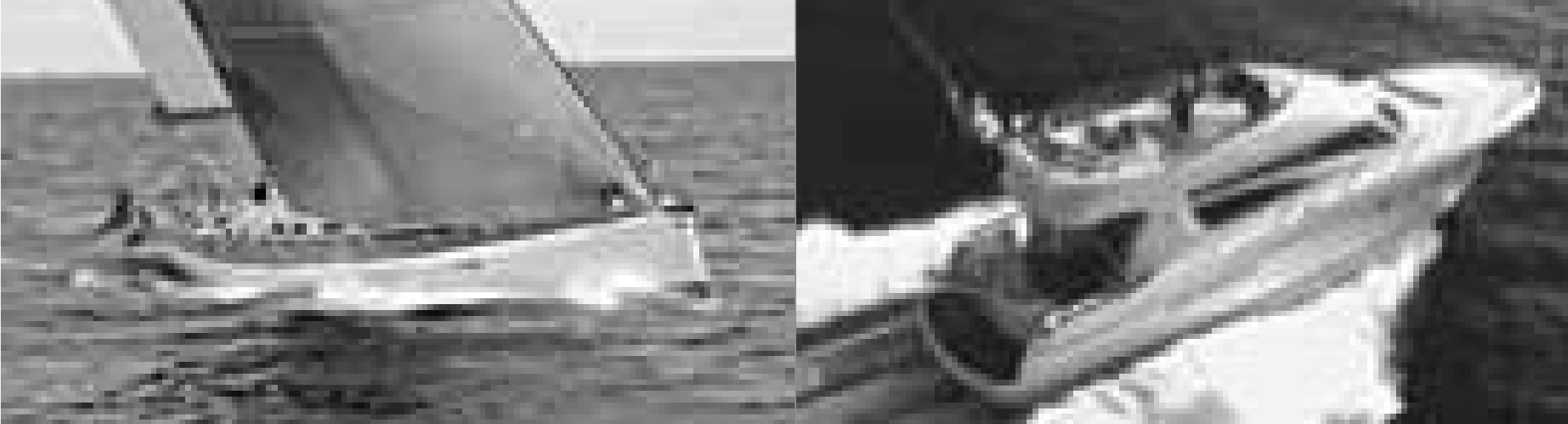
NB: Images are not to scale

\*Performance data is given for a thruster deployed at one tunnel diameter immersion depth, and this within a variation of + / - 6%.

For more in-depth information on this range, please visit our website:

[www.max-power.com](http://www.max-power.com)





## R200/6 - R200/8

**Code: 317801\*** - 24V

**Code: 317802\*** - 24V

Thrust:

10 kg per kw

Max. hydraulic power (kw):

13

Propellers:

Duo, 2 blades

Weight (kg):

35

### Dimensions (mm)

A: 500

B: 355

C: 320

D: 200

E: 255



## R300/15 - R300/21

**Code: 317807\*** - 24V

**Code: 317809\***

Thrust:

11 kg per kw

Max. hydraulic power (kw):

25

Propellers:

Duo, 3 blades

Weight (kg):

73

### Dimensions (mm)

A: 665

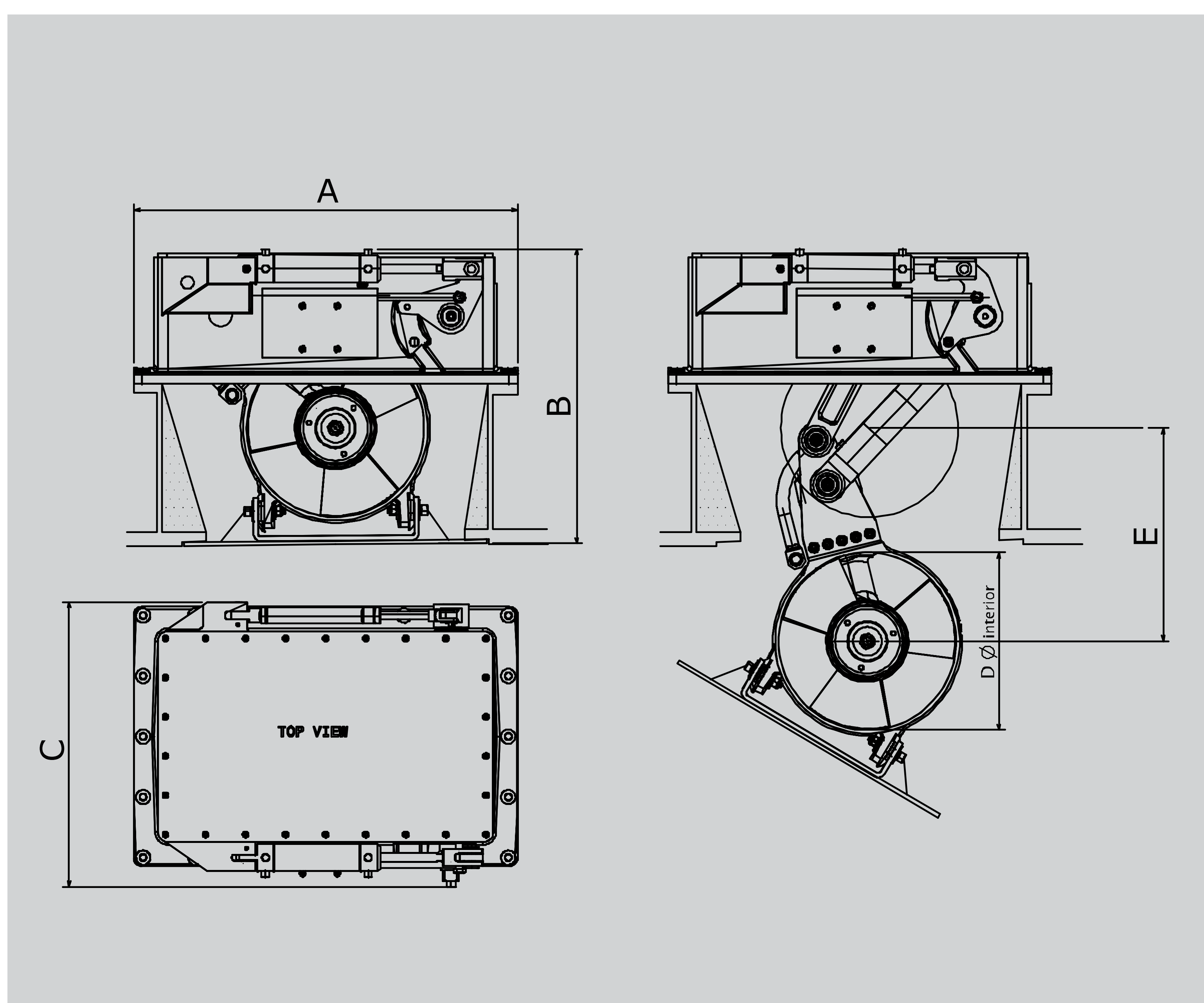
B: 500

C: 450

D: 300

E: 360

\*Codes refer to full package units. For further details on full package units, assemblies and components, please refer to page 25.



### Custom Services

Several versions of each Retract™ model are available.

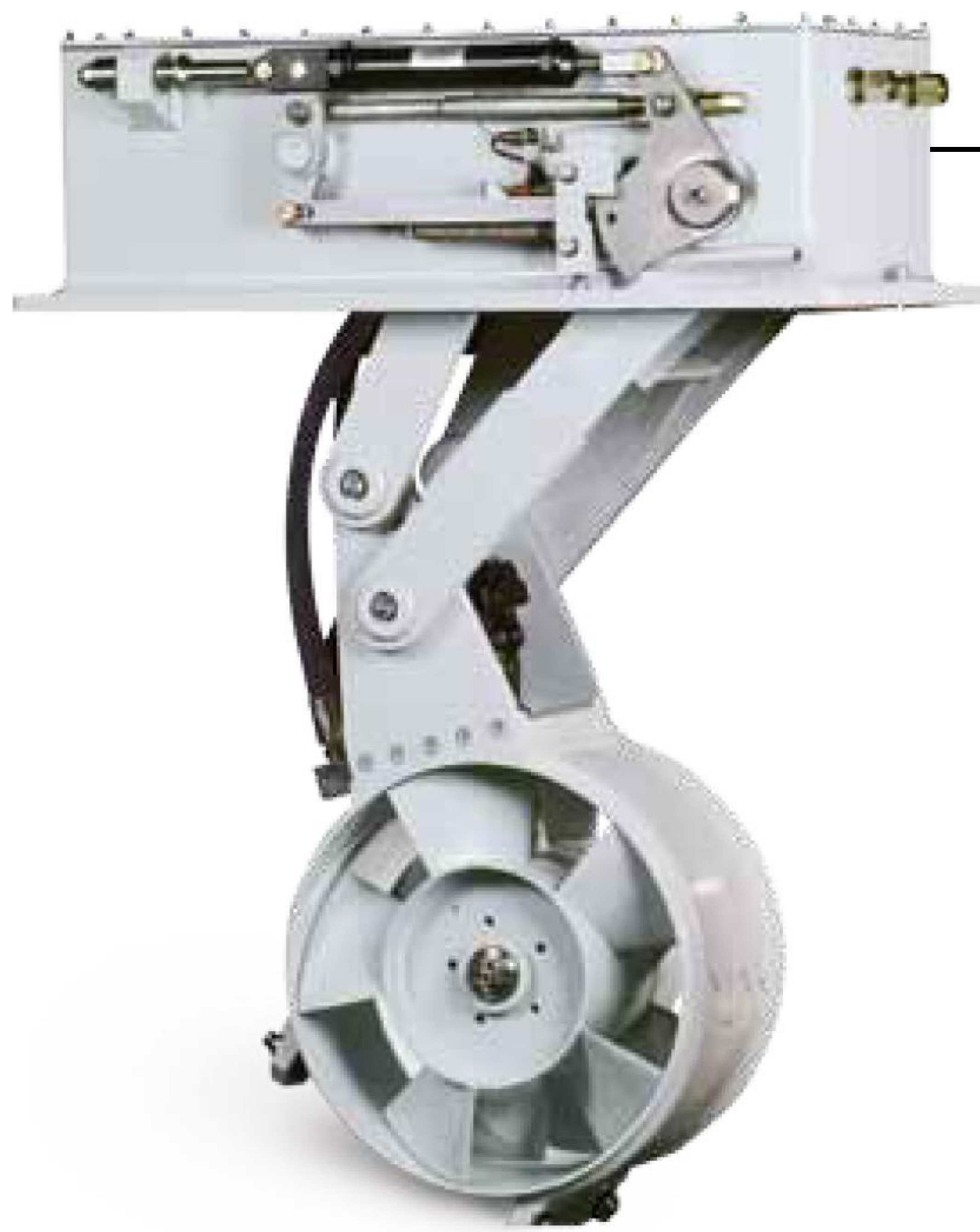
Hydraulic flow and pressure can be customised to suit hydraulic system specifications.

Many of the larger units in this range are manufactured to order. Specified by designers and architects alike, these technically superior retractable units are supplied to many of the world's finest custom yacht builders.

For more in-depth information on this range, please visit our website:

[www.max-power.com](http://www.max-power.com)





■ R450/34 - R450/40

**Code: 317813\***

**Code: 317814\***

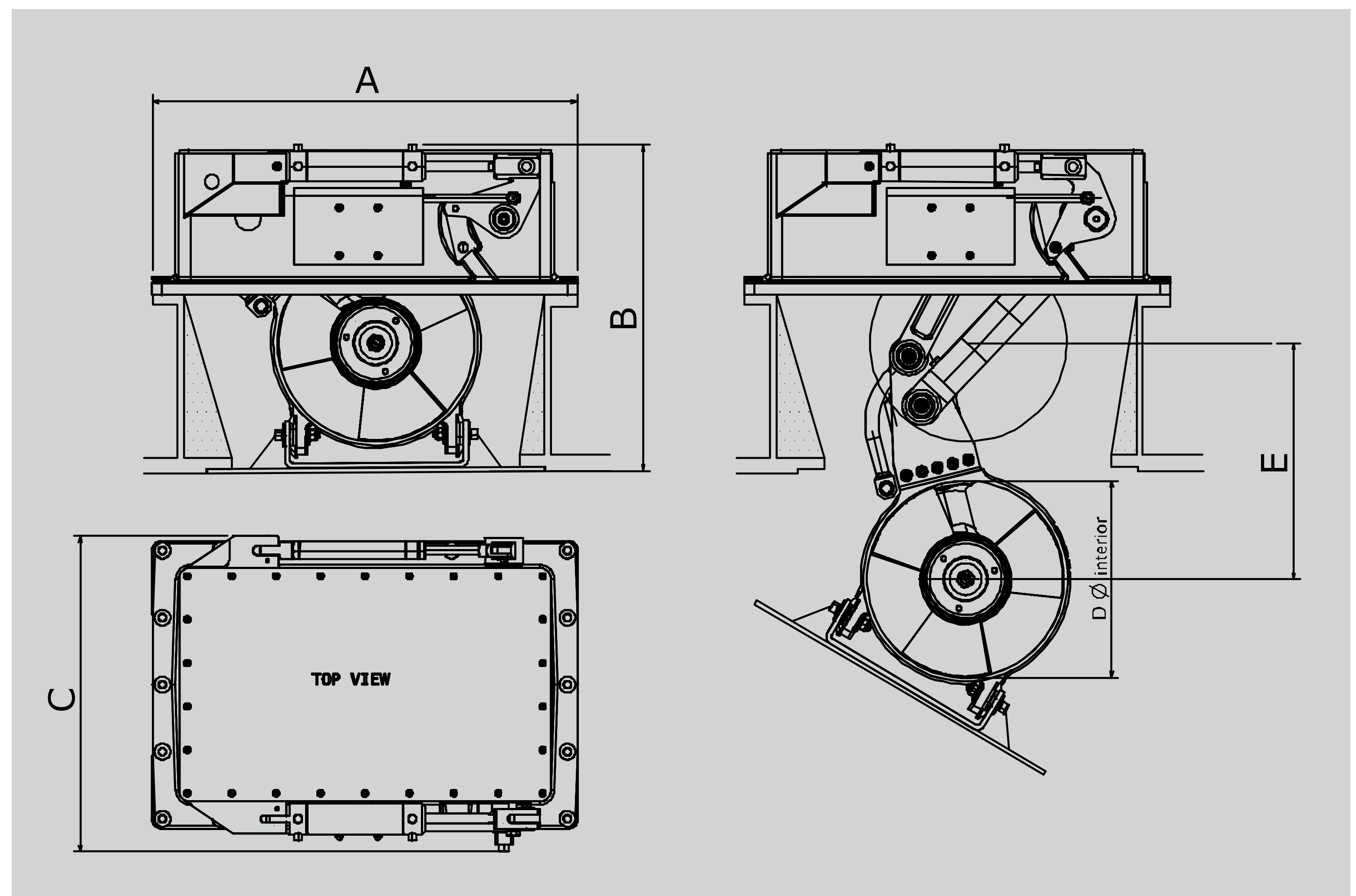
Thrust:  
11 kg per kw  
Max. hydraulic power (kw):  
40  
Propellers:  
Duo, 5 blades  
Weight (kg):  
165

**Dimensions (mm)**

A: 940  
B: 748  
C: 460  
D: 450  
E: 540



\*For further details on units, assemblies and components, please refer to page 25.



■ R600

**Code: 317819\***

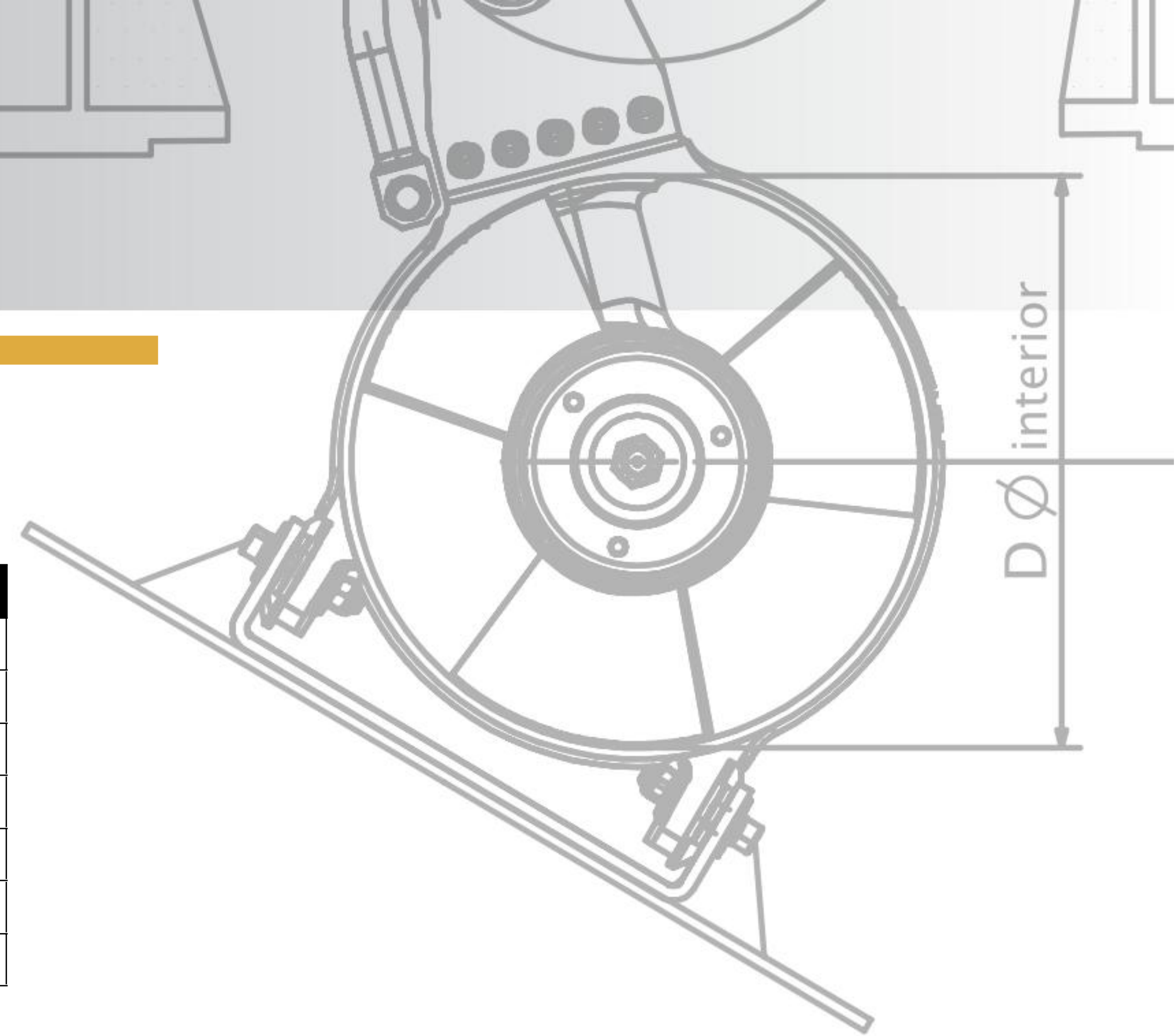
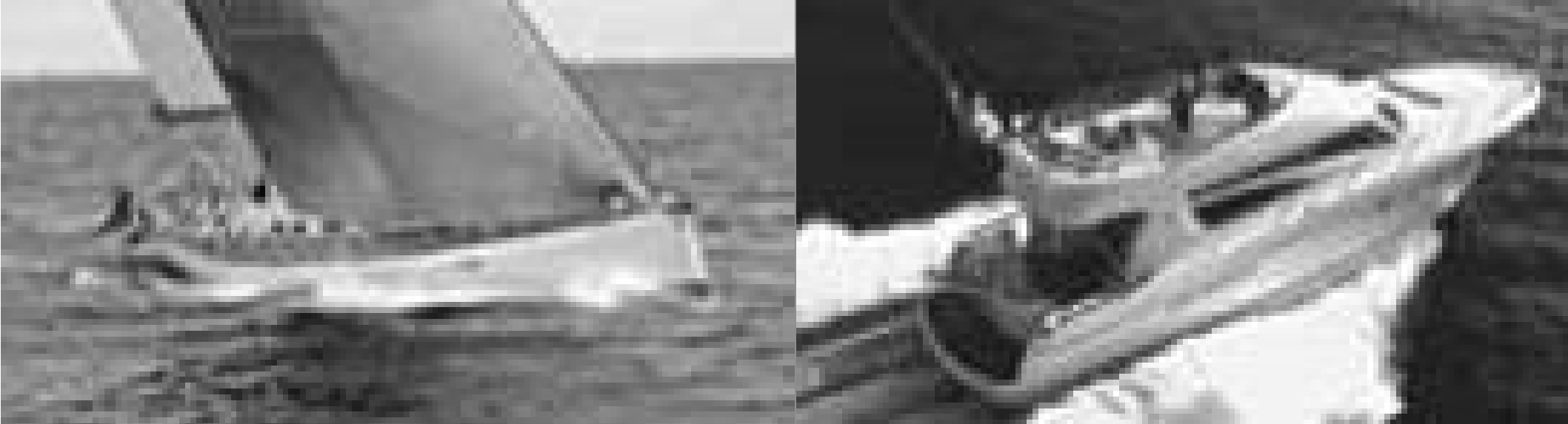
Thrust:  
12 kg per kw  
Max. hydraulic power (kw):  
83  
Propellers:  
Mono, 4 blades  
Weight (kg):  
320

**Dimensions (mm)**

A: 1210  
B: 967  
C: 985  
D: 600  
E: 772







## RETRACT RANGE: FULL PACKAGE UNITS, ASSEMBLIES & COMPONENTS

Model	Code	HP	KW	FLOW	PRESSURE	MOTOR
R200/6	317801	10,72	8	22 LPM	220 B	6 cc
R200/8	317802	16,08	12	30 LPM	240 B	8 cc
R300/15	317807	14,74	11	29 LPM	240 B	15 cc
R300/21	317809	23,59	17,6	44 LPM	240 B	21 cc
R450/34	317813	44,23	33	90 LPM	220 B	34 cc
R450/40	317814	54,06	40,33	110 LPM	220 B	40 cc
R600	317819	111,7	83,33	200 LPM	250 B	60 cc

	Code	Description
<b>Full Package Units</b>	317801	RETRACT R200/6 24V (Complete Package)
	317802	RETRACT R200/8 24V (Complete Package)
	317807	RETRACT R300/15 ELECTRO PUMP 24V (Complete Package)
	317809	RETRACT R300/21 ELECTROHYDRO (Excludes Electro-pump)
<b>317801 R200/6 Package includes</b>	317803	THRUSTER ASSEMBLY R200/6
	312950	ELECTRONIC CONTROLLER VIP/R200
	318224	JOYSTICK VIP & RETRACT GREY
	316504	MAX POWER DISTRIBUTION BLOCK
	313456	TANK 8Ltr WHITE COMPLETE (filter etc.)
	35017	FUSE HOLDER T1
	35020	FUSE 200A T1 FOR THRUSTERS
	318401	BATTERY CUT-OFF RELAY 24V
	316511	ELECTROPUMP BK8/8.5cc
634136	MOTOR SUPPORT (2 PCS)	
<b>317802 R200/8 Package includes</b>	317804	THRUSTER ASSEMBLY R200/8
	312950	ELECTRONIC CONTROLLER VIP/R200
	318224	JOYSTICK VIP & RETRACT GREY
	316504	MAX POWER DISTRIBUTION BLOCK
	313456	TANK 8Ltr WHITE COMPLETE (filter etc.)
	35017	FUSE HOLDER T1
	35022	FUSE 315A T2 FOR THRUSTERS
	318401	BATTERY CUT-OFF RELAY 24V
	316509	ELECTRO HYDRAULIC PUMP BK13/11cc
634136	MOTOR SUPPORT (2 PCS)	
<b>317807 R300/15 Package includes</b>	317810	THRUSTER ASSEMBLY R300/15
	633652	ELECTRONIC CONTROLLER R300
	318224	JOYSTICK VIP & RETRACT GREY
	316501	MAX POWER DISTRIBUTION BLOCK
	313450	TANK 12Ltr WHITE COMPLETE (filter etc.)
	35017	FUSE HOLDER T1
	35022	FUSE 315A T2 FOR THRUSTERS
	318401	BATTERY CUT-OFF RELAY 24V
	317905	ELECTRO HYDRAULIC PUMP BK14/11cc
	634136	MOTOR SUPPORT (2 PCS)
316515	LIFTING PUMP R300 (> 2007)	
<b>317809 R300/21 Package includes</b>	317811	THRUSTER ASSEMBLY R300/21
	633652	ELECTRONIC CONTROLLER R300
	318224	JOYSTICK VIP & RETRACT GREY
	316501	MAX POWER DISTRIBUTION BLOCK
	316515	LIFTING PUMP R300 (> 2007)
<b>Thruster Assemblies</b>	317813	RETRACT R450/34 (Thruster Assembly ONLY)
	317814	RETRACT R450/40 (Thruster Assembly ONLY)
	317819	RETRACT R600/60 (Thruster Assembly ONLY)
<b>317813 R450/34 &amp; 317814-R450/40 Additional Components</b>	316515	LIFTING PUMP R450
	317820	ELECTRONIC CONTROLLER R450 + KAMEWA OPTION
	318224	JOYSTICK VIP & RETRACT GREY
<b>317819 R600/60 Additional Components</b>	313352	POWER LIFT R600
	318224	JOYSTICK VIP & RETRACT GREY
		CONTROL BOX Upon Request

*All parts can be ordered individually*





All control panels are specially designed for use with Max Power's complete range of tunnel and retractable thrusters. Fitted using a simple hole saw cut-out, panels are easy to install and benefit from a simple and easily replaceable weatherproof clip-on cover. Each panel is complete with both male and female connectors using a reusable connection system.

- Available in black or grey
- Water resistant
- Easy to fit
- Replaceable clip-on cover
- Safety features
- Control panels
- Water



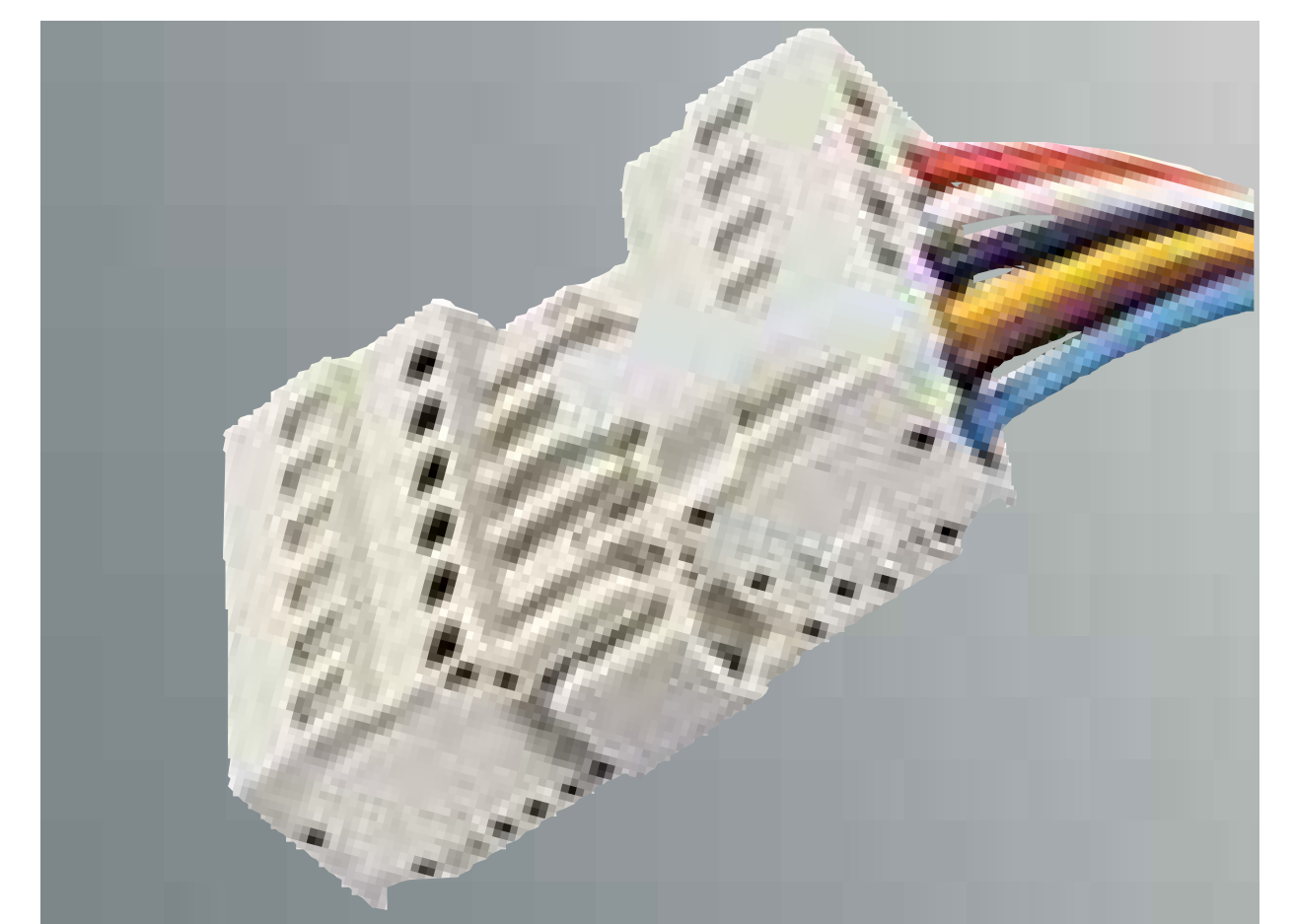
Water resistant.



Easy to fit.

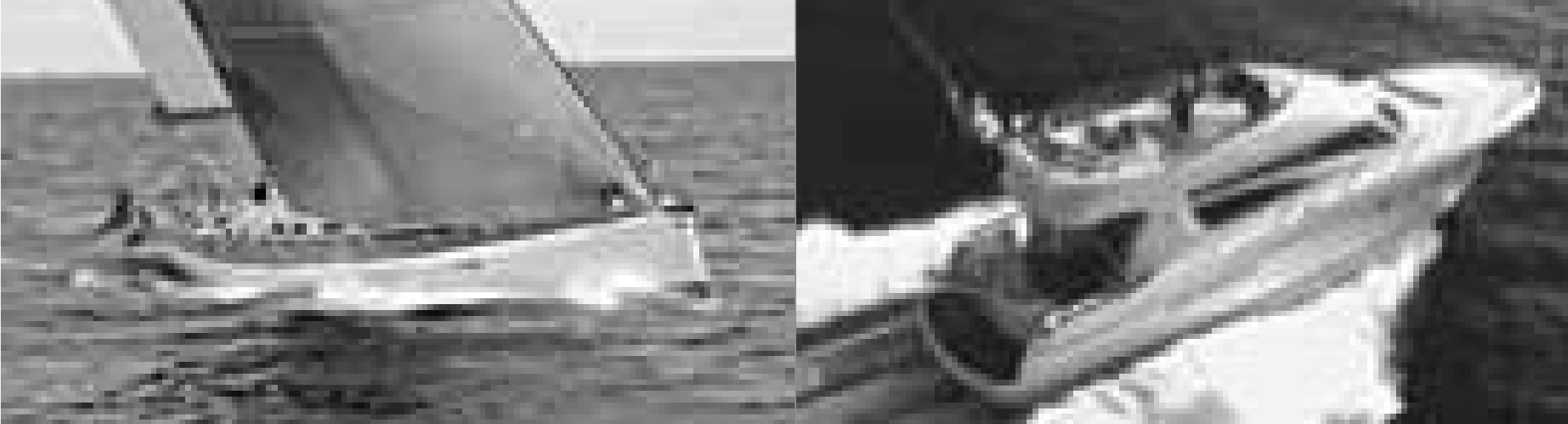


Easy to replace clip-on cover.



Reusable connections.





## Control system safety features

Max Power's thruster control systems are childproof and incorporate unique safety features.

The control system software monitors for incoherent signals, stray voltage, and abnormally long thrust signals in order to help protect against malfunctions caused by water ingress and short circuits. Visual and audio alarms provide a 10 second warning before the overheat shutdown function is activated. If left idle for thirty minutes, the system switches itself off automatically.

Designed with technical details such as independent control power supply (protects relays against damage due to low voltage), and standard remote electric battery isolator control, Max Power's system is clearly ahead of the competition. These effective mechanisms ensure that your Max Power thruster is both safe and reliable thus guaranteeing peace of mind onboard.

- Childproof activation
- Automatic shutdown after 30 minutes of inactivity
- Visible and audible motor overheat warning
- Motor overheat shutdown after prior warning
- Standard automatic battery isolator control
- Time delay switch between port and starboard thrust
- Software protection against short circuits

Max Power strongly recommends the installation of an automatic battery isolator device when installing thruster systems.



**Code: 318200** - Black  
**Code: 318201** - Grey

Compatible with:  
All tunnel thrusters



**Code: 318202** - Black  
**Code: 318203** - Grey

Compatible with:  
All tunnel thrusters



**Code: 318204** - Black  
**Code: 318205** - Grey

Compatible with:  
All tunnel thrusters



**Code: 318206** - Black  
**Code: 318224** - Grey

Compatible with:  
Compact Retract  
all VIP &  
R-series

All our control panels are available in  
both black and grey





The Boat control panel simplifies the combined use of a bow and stern thruster. Full and simultaneous control of both thrusters is possible via one easy to use manipulator. Stepping the boat sideways or turning 360° on the spot become smooth, simple operations, and each thruster can still be used independently.

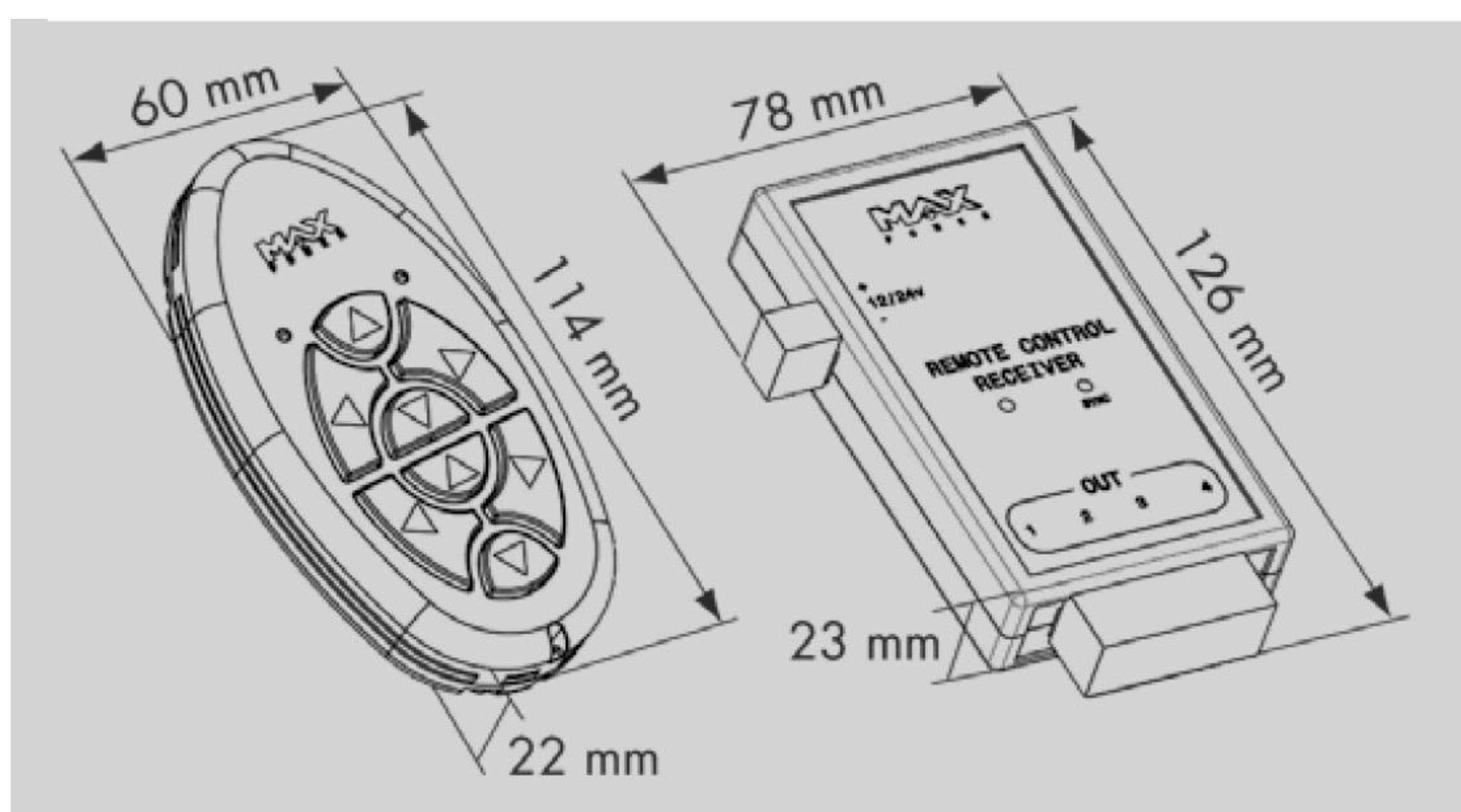


Code: 318234 - Black

## Radio remote controls

Max Power's radio remote control is designed to work with our entire range of tunnel and retractable thrusters. The remote control can also be used to operate additional onboard equipment such as windlasses, passerelles, cranes, etc.

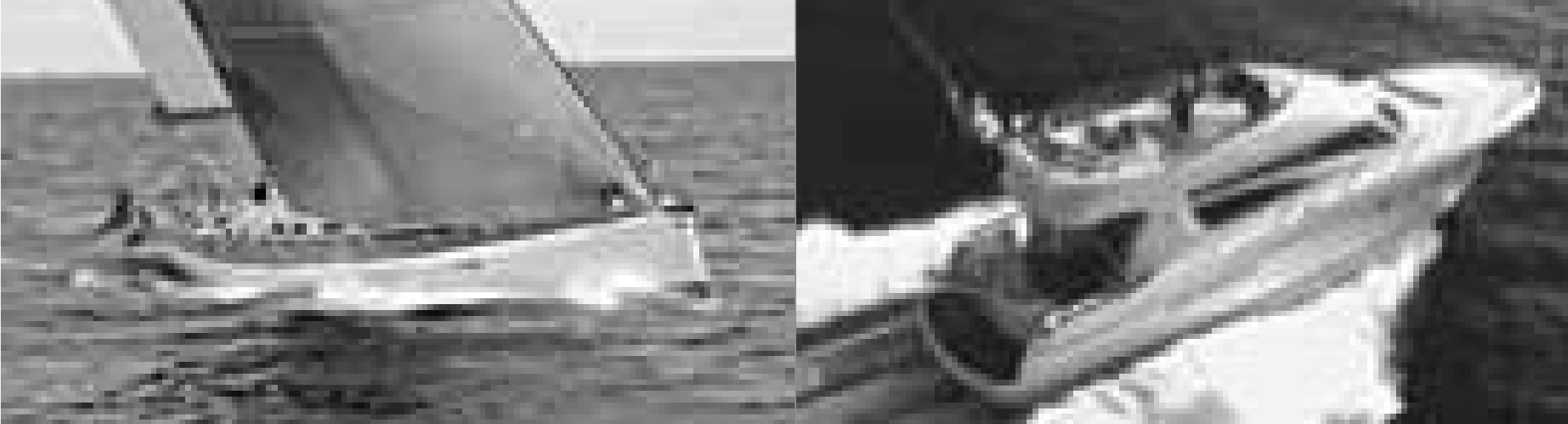
- Supports up to 8 independently controlled channels
- Each receiver can switch 4 channels ( 12/24 V - 5 A)
- Each transmitter can handle 2 receivers (8 channels)
- Digital recognition avoids accidental activation of other systems
- Available in 868 MHz (Europe/Australia) and 915 MHz (USA/Canada)
- Transmitter power supply: 12/24V dc
- Zero power consumption when in standby mode (transmitter)
- Easy to install and set up, simple to use



Code	312973	312974	312971	312972	312969	312970
Frequency	868 MHz	915 MHz	868 MHz	915 MHz	868 MHz	915 MHz
Description	Transmitter + Receiver (EU)	Transmitter + Receiver (USA)	Additional receiver (EU)	Additional receiver (USA)	Spare transmitter (EU)	Spare transmitter (USA)

\* 868 MHz is the authorised frequency for Europe and Australia. 915 MHz is the authorised frequency for Canada and the USA. Retail sales and use of non-authorised frequency transmitters and receivers is prohibited. For all other countries please consult the local regulation in force.





# Accessories



**GRP tunnels**

Manufactured from fully isophthalic resin and pre-gel coated, Max Power's high quality tunnels have the added advantage of a first coat of matt before being filament wound. Cutting and drilling can therefore be carried out without the risk of damaging the gel coat on the inside surface of the tunnel.



**Stern adapters**

Also manufactured from fully isophthalic resin, Max Power's range of stern adaptors are SMC moulded (sheet moulding compound) in a male / female steel mould. This ensures perfect resin fibre ratio and exceptional reproduction of form.



**Cowls**

Cowls are easily fitted to the stern adaptors and allow the use of stern thrusters in relatively shallow draft applications.

Thruster model	CT35/45	CT60/80/100/125	CT165/225	312969	312970
<b>Tunnel diameter</b>	125 mm	185 mm	250 mm	300 mm	315 mm
<b>Tunnel length</b>	Reference				
500 mm	45546	-	-	-	-
750 mm	42547	42549	-	-	-
1000 mm	313804	42550	42553	-	-
1250 mm	313809	-	-	-	-
1500 mm	-	42551	42554	313811	35004
2000 mm	-	-	-	313812	42557
2500 mm	42548	42552	42555	-	-
<b>Stern adaptors</b>	315389	315392	315395	-	35015
<b>Stern adaptor fixation kit</b>	35016 (for all models)				
<b>Stern adaptor cowls</b>	315398	315399	315400	-	-



**Mounting bases**

Mounting bases to suit all of our retractable thrusters are available to facilitate installation. Manufactured from isophthalic GRP, they can be easily integrated into new builds or retro-fitted. Aluminium yachts are catered for with suitable aluminium flanges. These are designed to be welded to the top of a mounting base constructed in the hull.

Code	311362	35025	313760	35026
Description	Aluminium flange		GRP Mounting Base	
Suitable for	Compact Retract	VIP 150	Compact Retract	VIP 150





## Fuses (electric tunnel and retractable thrusters)

Max Power offers a range of calibrated fuses specifically selected model by model and tested to offer an increased level of protection over standard ANL fuses. Chosen taking into account each fuse's specific blow curve, Max Power fuses match the requirements of each thruster system.

Thruster model	CT35/45	CT60	CT80 / C. Retract	CT60 / CT80 / C. Retract	CT100 / VIP150	CT125 / VIP150	CT165 / 225	CT300 / 325
Voltage	12 V	12 V	12 V	24 V	12 V	24 V	24 V	24 V
Amp	125 A	160 A	200 A	125 A	315 A	200 A	250 A	400 A
Fuse	35021	35019	35020	35021	35022	35020	35027	35028
Fuse holder	35017	35017	35017	35017	35018	35017	35018	35018
Extractio handle	312882 (for all models)							



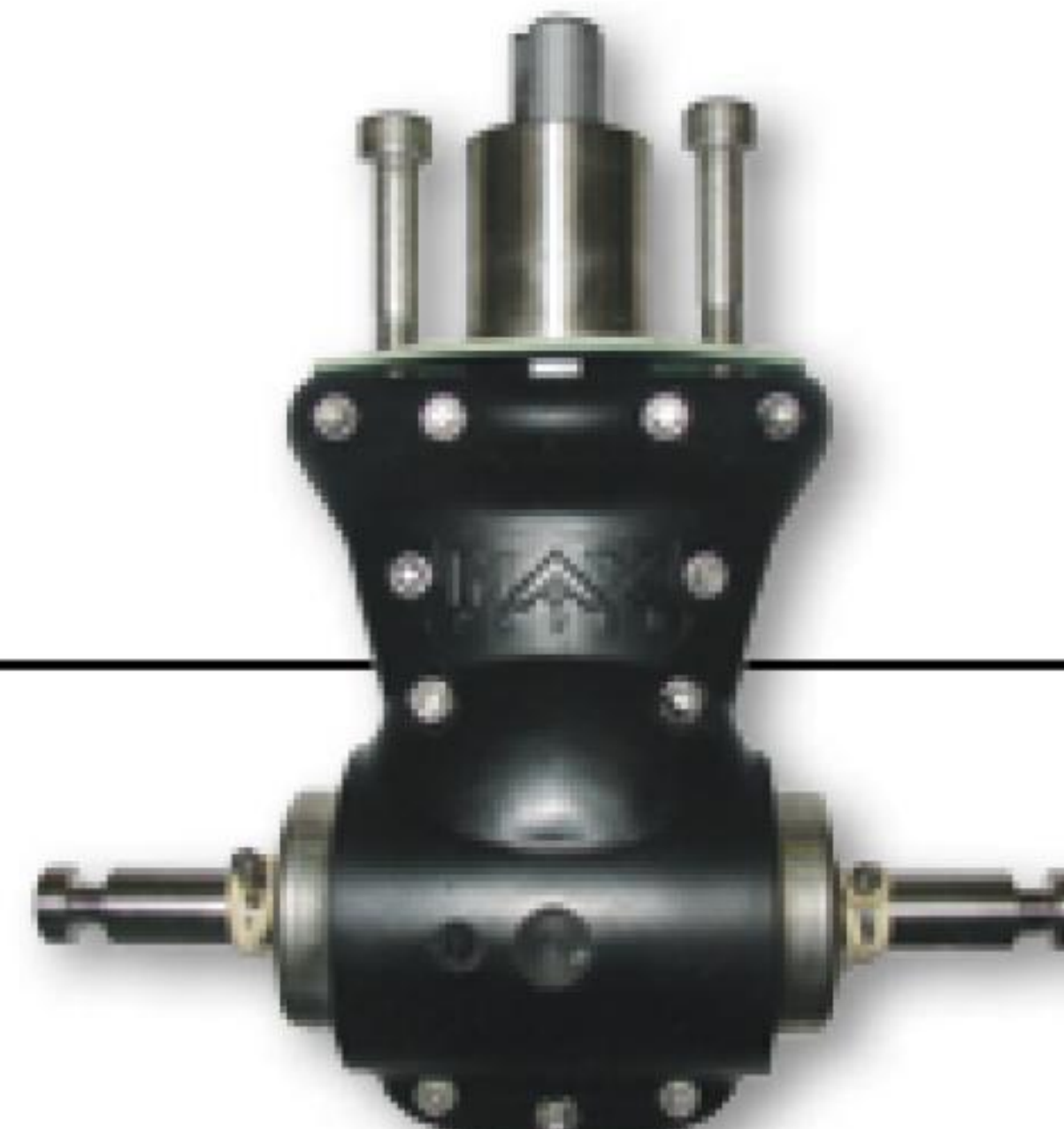
## Electric battery isolator

Code	318400	318401
Accessory	Electric battery isolator	Electric battery isolator
Voltage	12 V	24 V



## Propellers

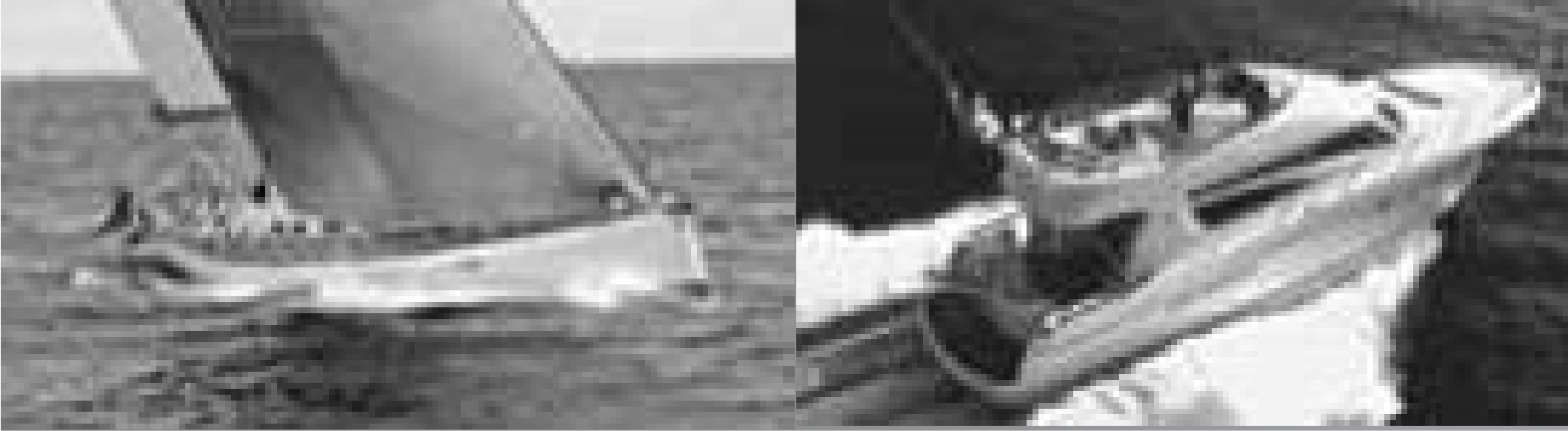
Code	35030	35031	313775	35032	313810	35033
Thruster Model	CT35 / 45	CT60 / 80 / 100 / 125 & VIP	Compact retract	CT165 / 225	CT300	CT325
Diameter (mm)	Ø 125	Ø 185	Ø 185	Ø 250	Ø 300	Ø 315



## Legs

Code	315318	310376	35034	315321	35035	315388	315324	315411
Thruster model	CT35	CT45	CT60	CT165 / 225	CT80 / 100 / 125	CT300	CT325	CT325
Contruction	Composite					Bronze		Aluminium
Diameter (mm)	Ø 125	Ø 125	Ø 185	Ø 250	Ø 185	Ø 300	Ø 315	Ø 315
Propellers	Mono	Duo	Mono	Duo	Duo	Duo	Duo	Duo





# Integrated hydraulic systems

As of 2013, a strong partnership has been built among Lofrans' and Max Power thrusters creating a synergy in yacht control and maneuvering solutions.

As a natural evolution from simple stand-alone independent units, Max Power is able to offer fully integrated hydraulic systems for sailing yachts. Whether running winches, windlasses, bow thrusters, stern thrusters, hydraulic davits or complex keel lifting mechanisms, our complete hydraulic solutions are used by many of the world's large sailing yacht manufacturers. Unique in their flexibility, Our systems are built using a common central line principle.

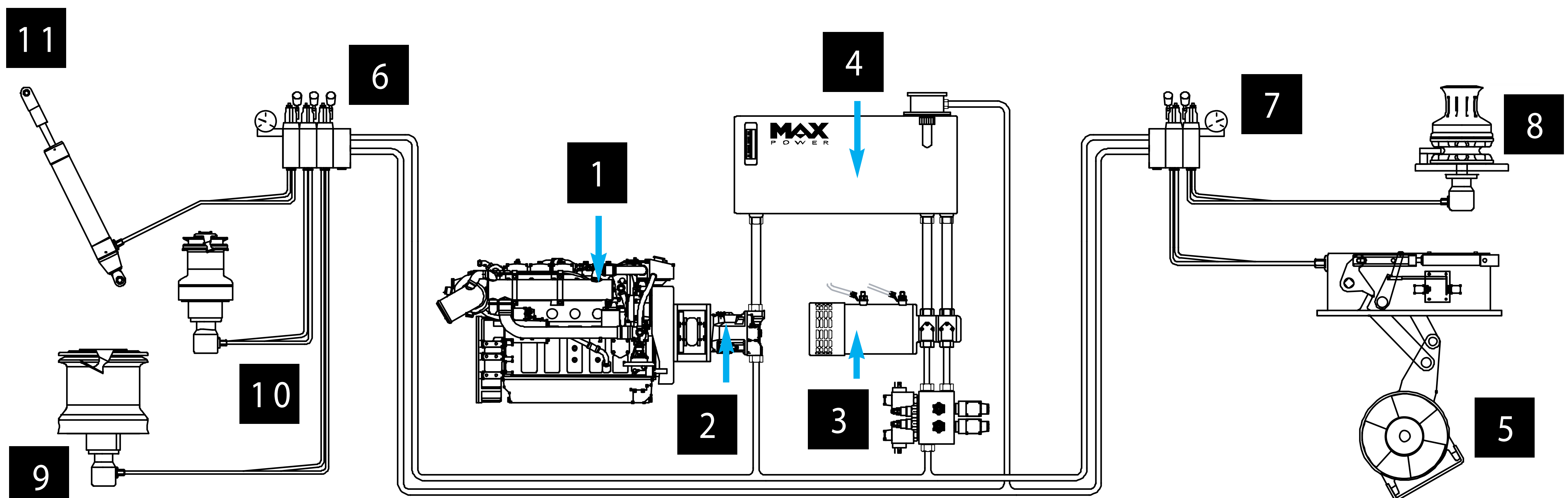
This means any function can be run from any power source thereby allowing a high level of user control. The use of load sensing pumps and valves ensures efficient and silent operation over a wide range of hydraulic flows and pressures. Our experience in designing and supplying complete solutions ensures that a Max Power-Lofrans' integrated system will be efficient, flexible and reliable.



Sailing yacht power systems typically include one or several generator mounted hydraulic pumps and in addition will require a DC power pack for silent sailing and light maneuvering. The PowerValve™ power pack range used in our systems, offers exceptional flexibility and power efficiency over a wide range of hydraulic flows.

Available as single or twin motor units, each motor pump can deliver 3 flow ratings at two predetermined system pressures, thereby accommodating a wide variety of hydraulic functions.

From high pressure, low flow keel, to a powerful high flow windlass, each function only draws the amperage needed for that specific application.

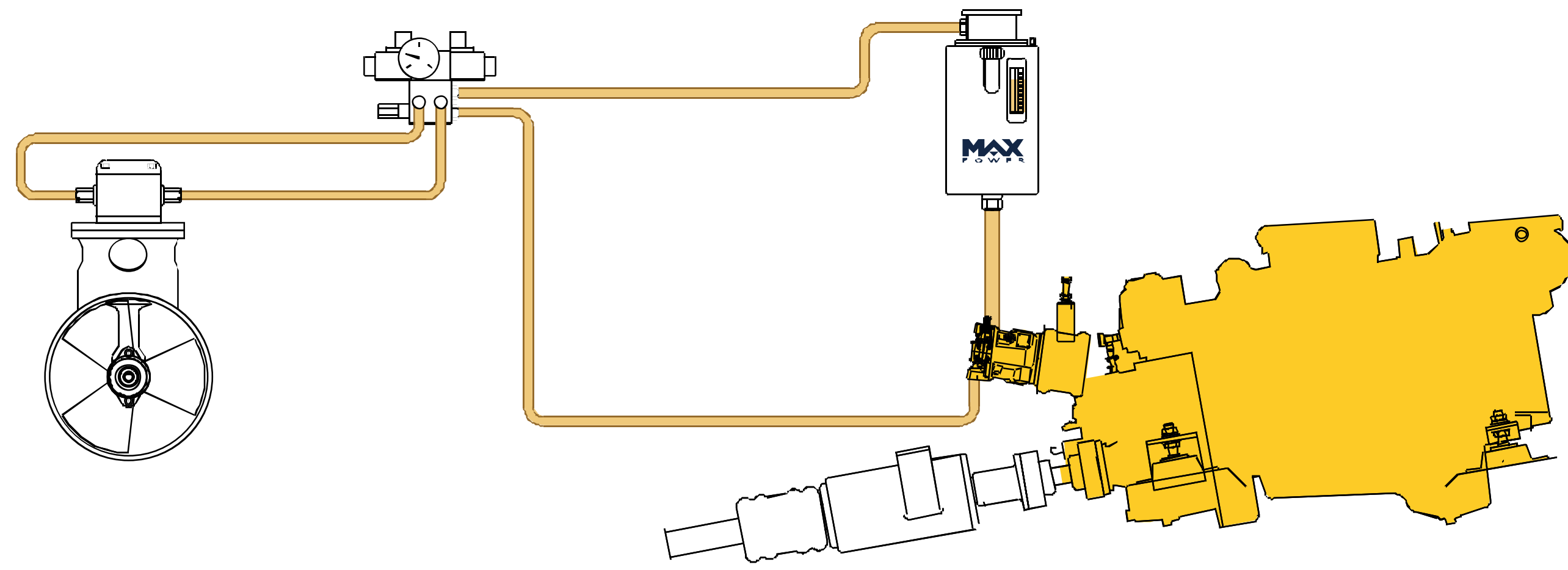


- |                                      |                  |
|--------------------------------------|------------------|
| 1 Generator with PTO                 | 7 Control Valve  |
| 2 Variable displacement pump         | 8 Windlass       |
| 3 DC power pack                      | 9 Winch          |
| 4 Oil tank with filtration and gages | 10 Winch         |
| 5 Thruster                           | 11 Hydraulic ram |
| 6 Control Valve                      |                  |

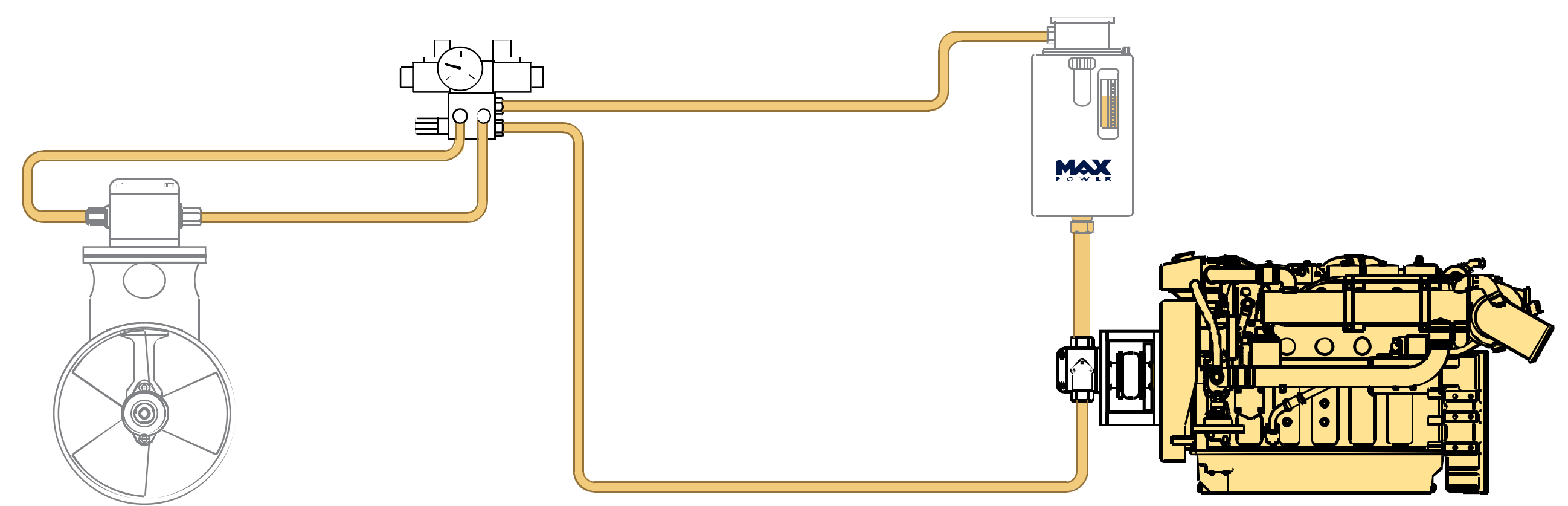
Code	316511	317908	317909	317907
Motor	1 x 8 KW	2 x 8 KW	1 x 13 KW	2 x 13 KW
Settings	3	6	3	6
Flow range	10 < 30 lt/min	10 < 60 lt/min	10 < 30 lt/min	10 < 60 lt/min
Pressure	140 < 214 bar			
Weight	35 kg	76 kg	39 kg	83 kg



Hydraulic thrusters need a carefully designed hydraulic system to run them reliably and efficiently. Often this system may only be required for the yacht's thruster(s). The most common form of thruster only system uses an engine as its power source. These can offer unlimited run times and do not need batteries or high power cables. Two types of hydraulic pumps can be used for these dedicated systems.



Variable displacement pump fitted to gearbox mounted PTO



Fixed displacement pump fitted to generator mounted PTO

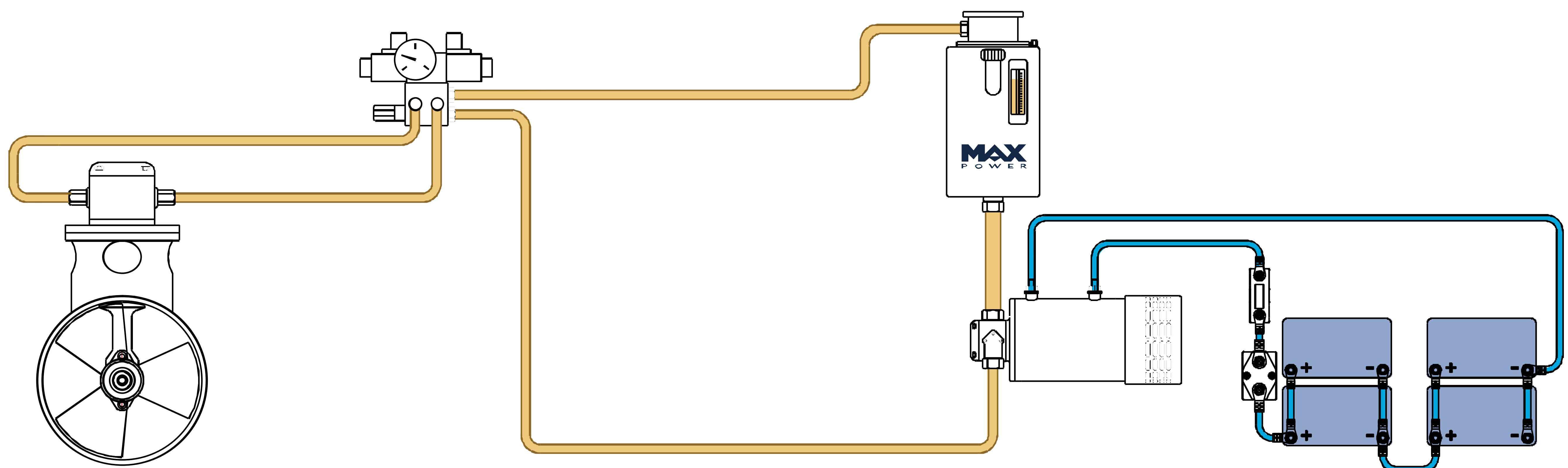
### Variable displacement pumps

A variable displacement pump can be used when a fixed flow is needed but the engine RPM is likely to vary. This would typically be a main engine or gearbox mounted pump. Often used on large powerboats, these systems offer a powerful solution for larger thrusters.

### Fixed displacement pumps

Used when a generator with a PTO (power take off) is available, fixed displacement pumps give a single (fixed) flow at a given engine RPM. Highly robust, these systems are simple to install and cost effective.

## Dedicated electric hydraulic powerpacks™



Sometimes an engine driven pump may not be feasible, if this is the case Max Power manufactures a range of dedicated DC power packs specifically designed to run our range of hydraulic thrusters both retractable and tunnel. These have been designed to supply a fixed flow of oil at a specific pressure.

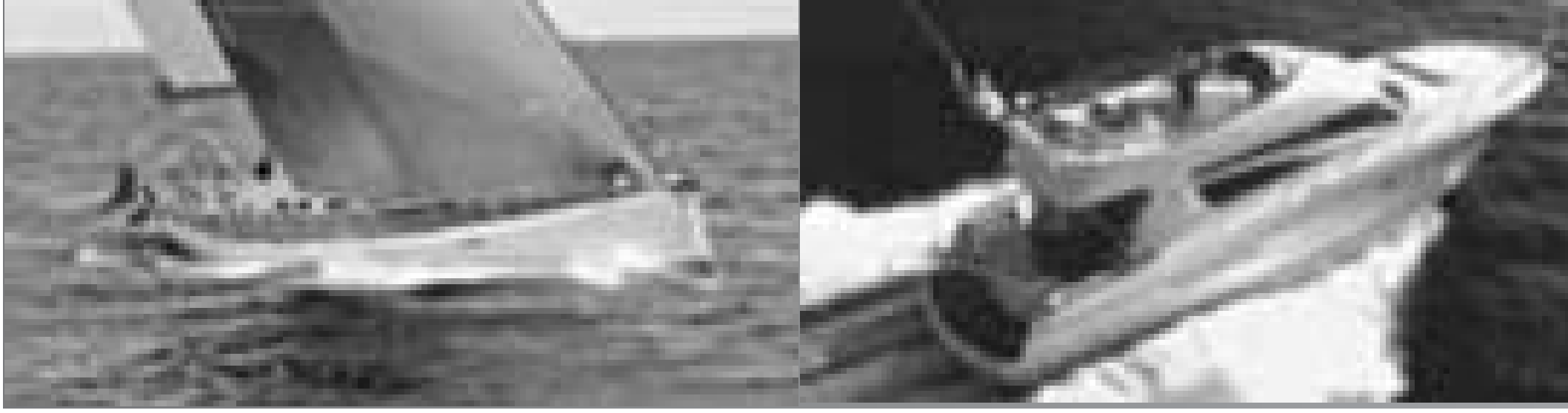
Although still fundamentally a DC thruster, a hydraulic unit run from a DC power pack offers a host of advantages over conventional DC thrusters.

- Better weight distribution in the yacht
- The ability to fit the thruster unit in habitually damp and even wet areas such as sail lockers
- Allows the DC motor to be placed close to the batteries that supply it, whilst still enabling the installation of the thruster(s) in the yacht's extremities

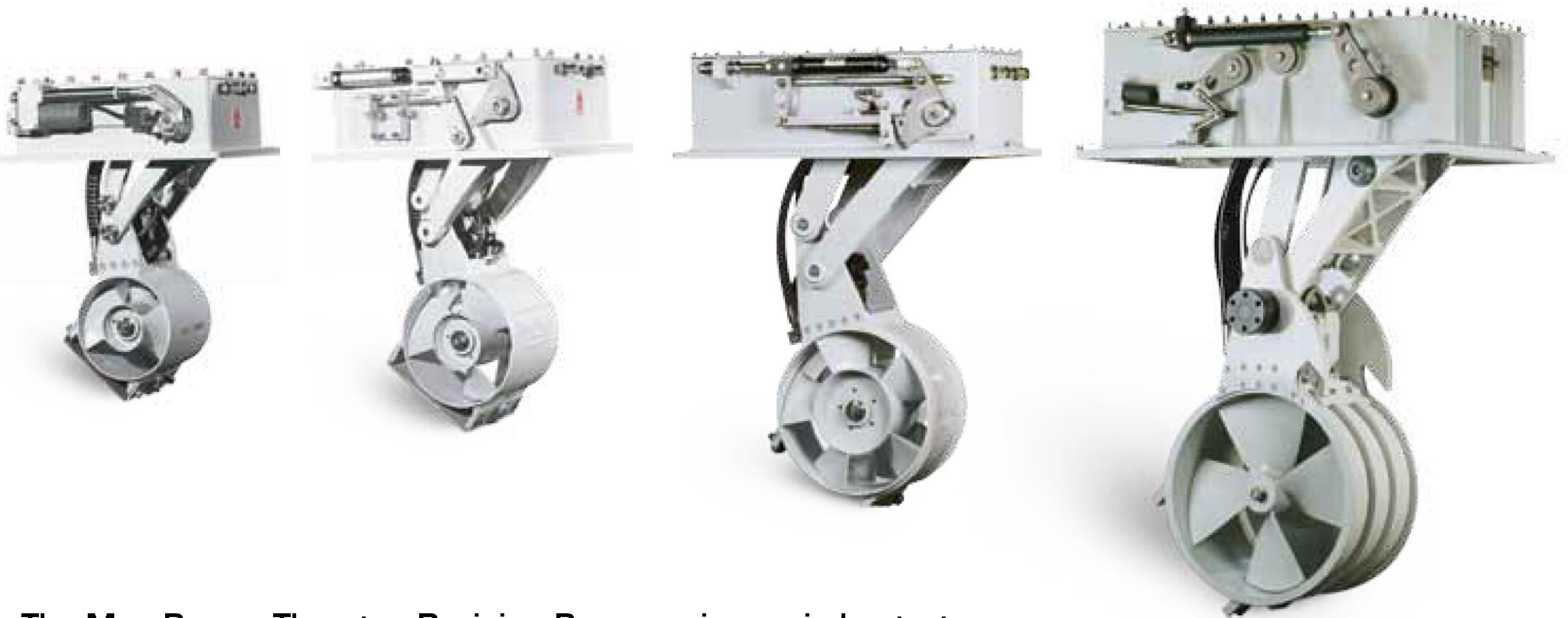
Whether run from a DC motor or an engine, Max Power can supply a full range of components including all necessary accessories such as a variety of oil tanks and control valves.

In both cases Max Power can advise and assist in the design of an efficient system suited to your needs.



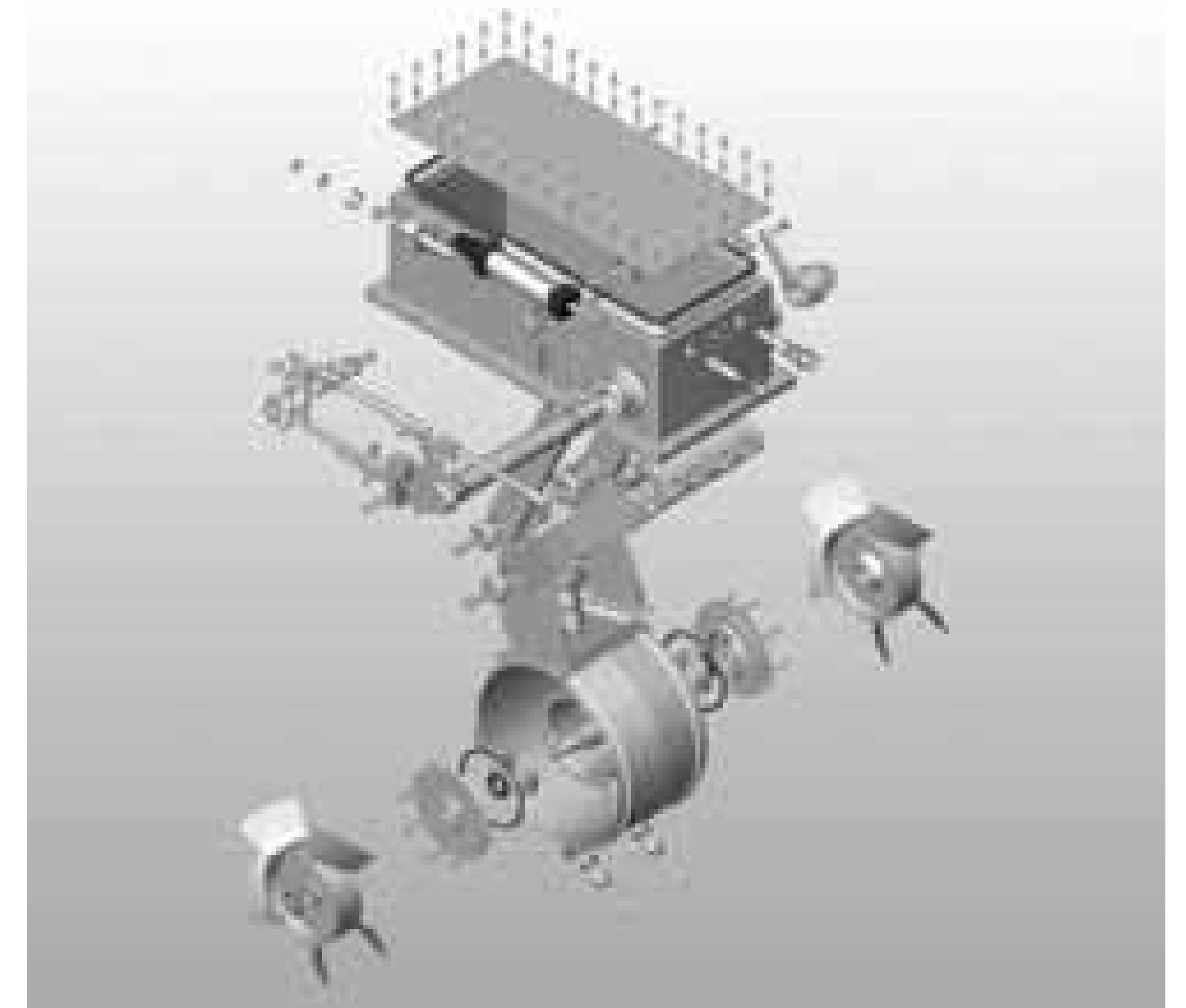


## R-Range Hydraulic Thruster Revision



**The Max Power Thruster Revision Program is carried out at our production facilities in Monza.**

- Initial inspection and complete disassembly of your Retractable Hydraulic Thruster.
- Inspection and full report on the condition of all components, with photos of all parts requiring replacement.
- Replacement of all seals and bearings.
- Repair cost analysis through a comprehensive and detailed quotation.
- Rebuild of your unit following your approval to proceed.
- Extra option of grit-blasting of all casted parts and re-painting
- Delivery of your thruster in as "As-good-as-new" condition, with a warranty period of one year.



The Revision program is carried out by our experienced technical personnel, having developed through a series of educational seminars by our engineers and marine professionals.

For further details on Revision Program please contact Max Power at [contact@max-power.com](mailto:contact@max-power.com).





**SAILTEC GmbH**  
**Hasselbinnen 28**  
**D-22869 Schenefeld**  
**Germany**

**+49 40 8229940**  
**info@sailtec.de**  
**www.sailtec.de**