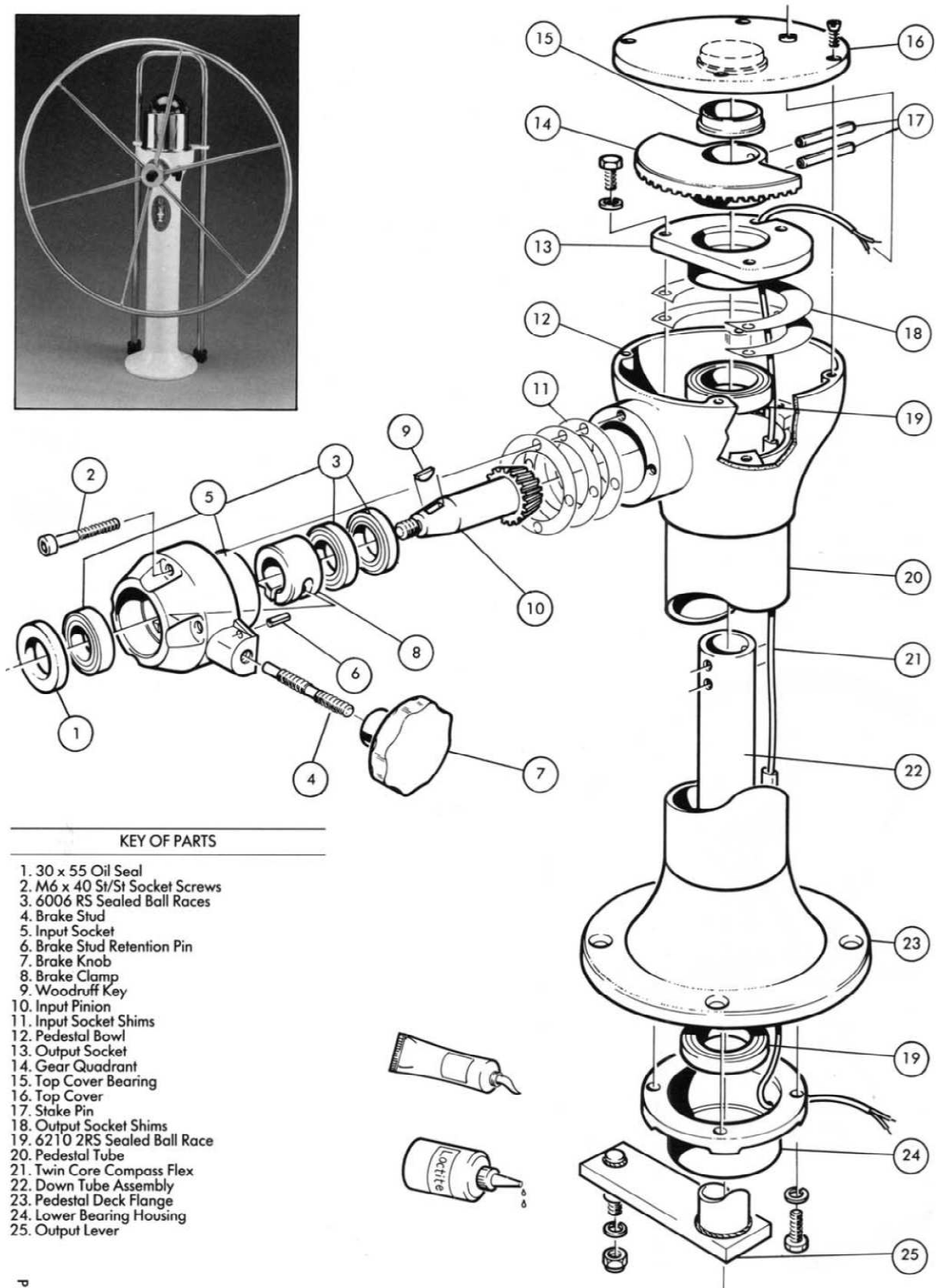
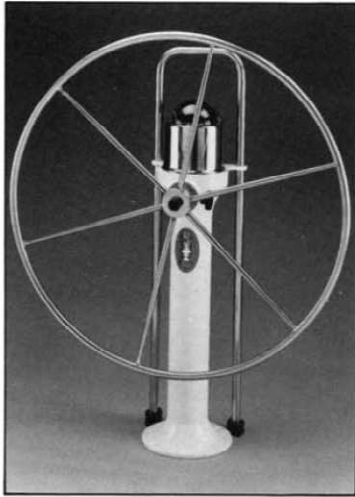


COBRA SYSTEMS

KING COBRA MK III



KEY OF PARTS

1. 30 x 55 Oil Seal
2. M6 x 40 St/St Socket Screws
3. 6006 RS Sealed Ball Races
4. Brake Stud
5. Input Socket
6. Brake Stud Retention Pin
7. Brake Knob
8. Brake Clamp
9. Woodruff Key
10. Input Pinion
11. Input Socket Shims
12. Pedestal Bowl
13. Output Socket
14. Gear Quadrant
15. Top Cover Bearing
16. Top Cover
17. Stake Pin
18. Output Socket Shims
19. 6210 2RS Sealed Ball Race
20. Pedestal Tube
21. Twin Core Compass Flex
22. Down Tube Assembly
23. Pedestal Deck Flange
24. Lower Bearing Housing
25. Output Lever