



MODEL #7176 WALKABOUT CONTROLLER

This control device is intended to control one or two main engines, also provides finger-tip control over rudder and can be equipped with either two indicator lights or two push buttons or toggle switches to select various propulsion modes and/or steering modes as well as incorporating a bow thruster.

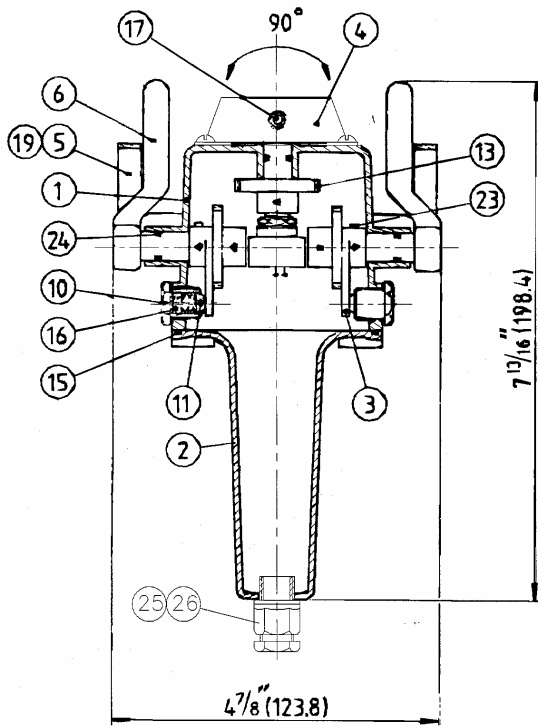
The 7176 Controller is constructed entirely in bronze and stainless steel. It is very light in weight. Provision for a shoulder strap is made so that the unit can be worn around the neck like a camera. This unit is also

totally sealed to avoid moisture from entering the unit.

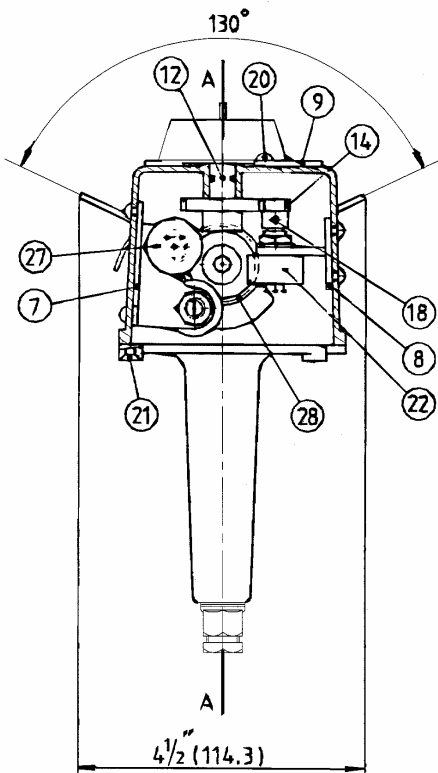
The 7176 Controller can easily be integrated into the main control system through the coordination of the control unit for the operation of the steering or engine control system. The versatility of this product makes it another trademark of the reliable Kobelt product lines.

Weight: 4.4 lb (2 kg)

MODEL 7176



SECTION A-A



ITEM	QTY	PART NUMBER	DESCRIPTION
1	1	7176-0001	Housing
2	1	7176-0002	Handle
3	2	7176-0003	Detent Cam
4	1	7176-0004	Steering Knob
5	2	7176-0005	Scale (side)
6	2	7176-0006	Lever
7	1	7176-0007	Pot. Bracket
8	1	7176-0008	Upper Pot. Bracket
9	1	7176-0009	Scale (top)
10	2	7176-0010	Detent Housing
11	2	2012-0007	Detent
12	1	7176-0012	Shaft (top)
13	1	YPB-3236	Spur Gear
14	3	Y-3216	Pinion Gear
15	1	7176-0015	O-Ring
16	2	1201-0001	Spring
17	1	1016-1004	Hex Socket Set Screw
18	8	1016-0602	Hex Socket Set Screw
19	4	1010-0806	Round Hd Philips Screw
20	7	1006-0604	Round Hd Philips Screw
21	4	1009-0808	Flat Hd Philips Screw
22	1	Pot-1	Potentiometer-1K 6639S-102
23	2	1024-0510	Spring Pin
24	3	1101-0010	O-Ring
25	1	6001-0248	Cable Gland
26	1	6009-7094	Washer
27	2	Pot-2	Potentiometer-5K 6639S-502
28	2	YPB-3236	Spur Gear

* Quantity may vary