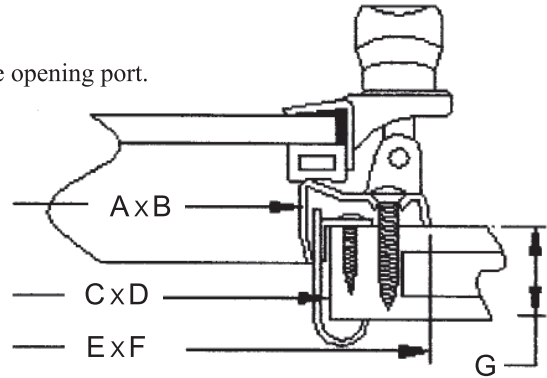


ELLIPTICAL, OVAL AND ROUND OPENING PORTS

• **CE Approved. According to ISO / DIS 12216**

LE, LO & LR type are supplied to Area III, IV. Designs for craft type "any".

- 316 stainless steel machined rolled ports. 316 stainless steel machine stamped frames.
- Hand Polished and electro polished to provide long lasting protection against corrosion.
- Weather resistant thermo-plastic NEOPRENE gasket.
- High Strength tempered glass.
- Optional fiberglass screens with rubber gaskets to ensure a tight fit on the opening port.



1. Standard angled spigot size

"G" available $1\frac{1}{4}$ "_{32mm} · $1\frac{1}{2}$ "_{38mm} · 2 "_{51mm} · $2\frac{1}{2}$ "_{63mm} · 3 "_{76mm} · $3\frac{1}{2}$ "_{89mm}

2. Special spigot size "G" available from 1 "_{25mm} ~ 5 "_{125mm}

3. The spigot height are needed, while ordering.



MODEL No.	A x B MODEL	C x D CUT OUT	E x F OVERALL	GLASS THICKNESS
LE-0718	7 X 17 ³ / ₄ 178X451	7 ³ / ₈ X 18 187X458	9 ⁵ / ₈ X 20 ³ / ₈ 244X518	5/16 8 IN/MM



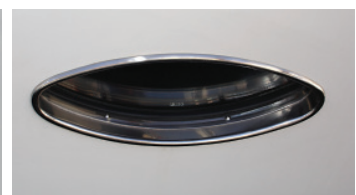
MODEL No.	A x B MODEL	C x D CUT OUT	E x F OVERALL	GLASS THICKNESS
LO-0512	5 X 12 127x305	5 ⁵ / ₈ X 12 ⁵ / ₈ 143x321	7 ⁷ / ₈ X 14 ⁷ / ₈ 200x378	5/16 8
LO-0614	6 X 14 153x356	6 ⁵ / ₈ X 14 ⁵ / ₈ 168x371	8 ⁷ / ₈ X 16 ⁷ / ₈ 225x429	5/16 8
LO-0714	7 X 14 178x356	7 ⁵ / ₈ X 14 ⁵ / ₈ 194x371	9 ⁷ / ₈ X 16 ⁷ / ₈ 251x429	5/16 8
LO-0716	7 X 16 178x406	7 ⁵ / ₈ X 16 ⁵ / ₈ 194x422	9 ⁷ / ₈ X 18 ⁷ / ₈ 251x479	5/16 8
LO-0718	7 X 18 178x457	7 ⁵ / ₈ X 18 ⁵ / ₈ 194x473	9 ⁷ / ₈ X 20 ⁷ / ₈ 251x530	5/16 8
LO-0816	8 X 16 203x406	8 ⁵ / ₈ X 16 ⁵ / ₈ 219x422	10 ⁷ / ₈ X 18 ⁷ / ₈ 276x479	5/16 8
LO-0818	8 X 18 203x457	8 ⁵ / ₈ X 18 ⁵ / ₈ 219x473m	10 ⁷ / ₈ X 20 ⁷ / ₈ 276x530	5/16 8 IN/MM



MODEL No.	A MODEL	C CUT OUT	F OVERALL	GLASS THICKNESS
LR-0500	5 127mm	5 ⁵ / ₈ 143	7 ⁷ / ₈ 200	5/16 8
LR-0600	6 153mm	6 ⁵ / ₈ 168	8 ⁷ / ₈ 225	5/16 8
LR-0700	7 178mm	7 ⁵ / ₈ 194	9 ⁷ / ₈ 251	5/16 8
LR-0800	8 203mm	8 ⁵ / ₈ 219	10 ⁷ / ₈ 276	5/16 8 IN/MM



LO Oval portholes



LE Elliptical portholes
boat outside view

OPENING PORTS WITH STORM COVERS

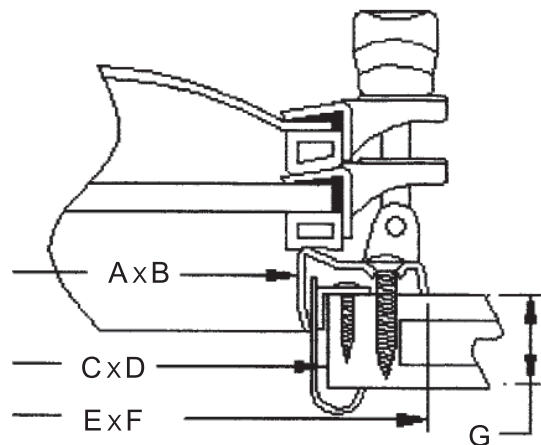
- **CE** Approved. According to ISO / DIS 12216
CLE, CLR & CLO type are applied to Area I, II, III, IV. Designs for craft type "any".
- Each cover is machine stamped 316 stainless steel. Hand Polished and electro polished to provide long lasting protection against corrosion.
- All other features are the same as our **RECTANGULAR OPENING PORTS**.



MODEL No.	A x B MODEL	C x D CUT OUT	E x F OVERALL	GLASS THICKNESS
CLO-0716	7 X 16 178x406	7 5/8 X 16 5/8 194x422	9 7/8 X 18 7/8 251x479	5/16 8
CLO-0718	7 X 18 178x457	7 5/8 X 18 5/8 194x473	9 7/8 X 20 7/8 251x530	5/16 8
CLO-0816	8 X 16 203x406	8 5/8 X 16 5/8 219x422	10 7/8 X 18 7/8 276x479	5/16 8
CLO-0818	8 X 18 203x457	8 5/8 X 18 5/8 219x473	10 7/8 X 20 7/8 276x530	5/16 8

IN/MM

- Fixed or removable storm cover available.



1. Standard angled spigot size

"G" available 1 1/4" 32mm · 1 1/2" 38mm · 2" 51mm · 2 1/2" 63mm · 3" 76mm · 3 1/2" 89mm

2. Special spigot size "G" available from 1" 25mm ~ 5" 125mm

3. The spigot height are needed, while ordering.



MODEL No.	A x B MODEL	C x D CUT OUT	E x F OVERALL	GLASS THICKNESS
CLE-0718	7 X 17 3/4 178x451	7 3/8 X 18 187x458	9 5/8 X 20 3/8 244x518	5/16 8

IN/MM



MODEL No.	A MODEL	C CUT OUT	F OVERALL	GLASS THICKNESS
CLR-0800	8 203	8 5/8 219	10 7/8 276	5/16 8

IN/MM

ECONOMY OPENING PORTS

• **CE Approved. According to ISO / DIS 12216**

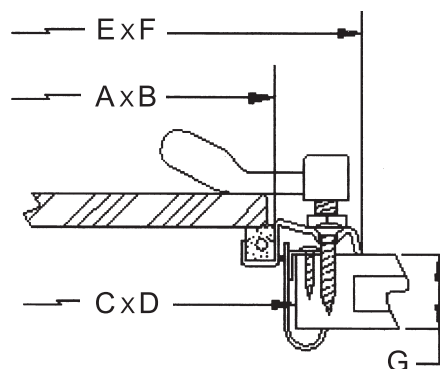
EE, EO & ER type are applied to Area III, IV . Designs for craft type "any".

- 316 stainless steel machine stamped frames, ports and hinges. Hand Polished and electro polished to provide long lasting protection against corrosion.
- Wing type nylon closures.
- Weather resistant thermo-plastic PVC gasket.
- Clear or Tanned Acrylic.



MODEL No.	A x B MODEL	C x D CUT OUT	E x F OVERALL	ACRYLIC THICKNESS
EE-0718	7 X 17 ³ / ₄ 178x459	7 ³ / ₈ X 18 188x458	9 ⁵ / ₈ X 20 ³ / ₈ 244x518	1/2 12

IN/MM



1. Standard angled spigot size

"G" available 1¹/₄" 32mm · 1¹/₂" 38mm · 2¹/₂" 51mm · 2¹/₂" 63mm · 3¹/₂" 89mm

2. Special spigot size "G" available from 1²/₅mm ~ 5¹/₂" 125mm

3. The spigot height are needed, while ordering.



MODEL No.	A x B MODEL	C x D CUT OUT	E x F OVERALL	ACRYLIC THICKNESS
EO-0512	5 X 12 127x305	5 ³ / ₈ X 12 ³ / ₈ 137x315	7 ⁷ / ₈ X 14 ⁷ / ₈ 200x378	1/2 12
EO-0614	6 X 14 153x356	6 ³ / ₈ X 14 ³ / ₈ 162x365	8 ⁷ / ₈ X 16 ⁷ / ₈ 225x429	1/2 12
EO-0714	7 X 14 178x356	7 ³ / ₈ X 14 ³ / ₈ 188x365	9 ⁷ / ₈ X 16 ⁷ / ₈ 251x429	1/2 12
EO-0716	7 X 16 178x406	7 ³ / ₈ X 16 ³ / ₈ 188x416	9 ⁷ / ₈ X 18 ⁷ / ₈ 251x479	1/2 12
EO-0718	7 X 18 178x457	7 ³ / ₈ X 18 ³ / ₈ 188x467	9 ⁷ / ₈ X 20 ⁷ / ₈ 251x530	1/2 12
EO-0816	8 X 16 203x406	8 ³ / ₈ X 16 ³ / ₈ 213x416	10 ⁷ / ₈ X 18 ⁷ / ₈ 276x479	1/2 12
EO-0818	8 X 18 203x457	8 ³ / ₈ X 18 ³ / ₈ 213x467	10 ⁷ / ₈ X 20 ⁷ / ₈ 276x530	1/2 12

IN/MM



MODEL No.	A MODEL	C CUT OUT	F OVERALL	ACRYLIC THICKNESS
ER-0500	5 127	5 ³ / ₈ 137	7 ⁷ / ₈ 200	1/2 12
ER-0600	6 153	6 ³ / ₈ 162	8 ⁷ / ₈ 225	1/2 12
ER-0700	7 178	7 ³ / ₈ 188	9 ⁷ / ₈ 251	1/2 12
ER-0800	8 203	8 ³ / ₈ 213	10 ⁷ / ₈ 276	1/2 12

IN/MM