

## MODEL 7002 HEADER TANK

The purpose of a header tank is to allow for the steering gear fluid to expand and contract due to temperature variations.

The header tank can be used on a manual-filled system as well as on an auto-filled system. The capacity of the tank is one quart (one liter). It is available with or without sight glass and breather.

It is recommended to have this tank installed above the highest helm pump onboard ship. In addition, a manual-filled system should be installed with a breather or an auto-filled system should be sealed with a vent line going from the header to the main tank.

The **KOBELT** expansion tank is die cast in bronze.

### ORDERING INFORMATION

7002-A = With Sight Glass  
7002-B = Without Sight Glass

Letter "C" will add breather  
e.g.: 7002-AC

**DIMENSIONS AND PARTS  
MODEL 7002**

**7002**

ITEM	QUANTITY	PART NUMBER	DESCRIPTION
1	1	7002-0001	Cover
2	1	7002-0002	Tank
3	1	7002-SG5T	Sight Glass
4	1	7002-MB02	Breather
5	1	1101-0250	"O" Ring
6	4	1001-1008	Hex. Head Cap Screw

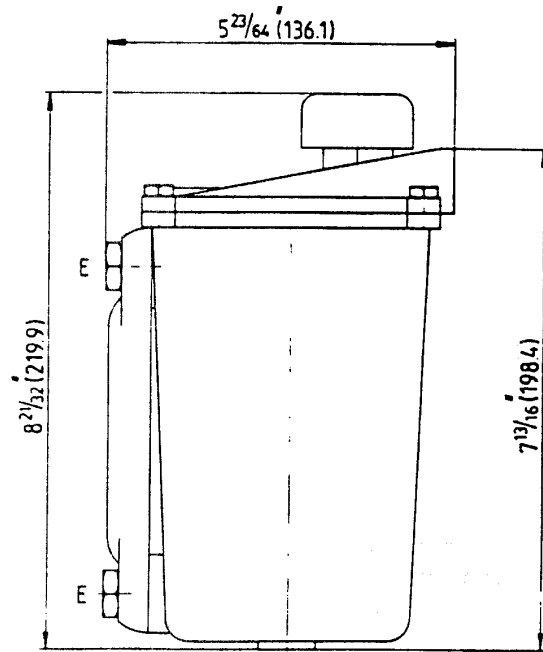
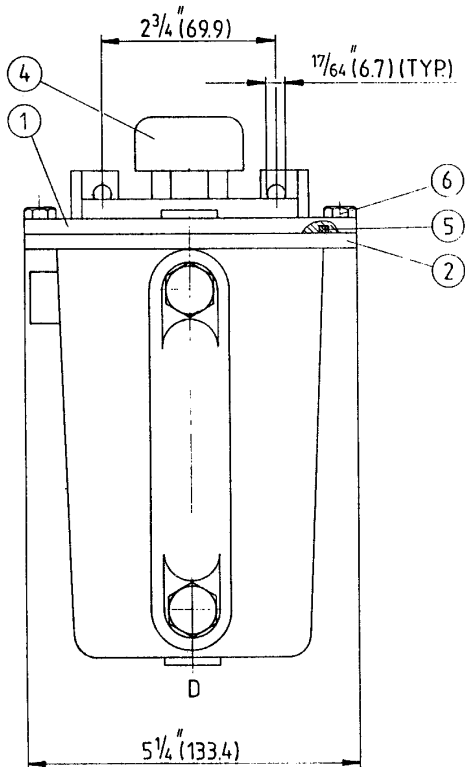
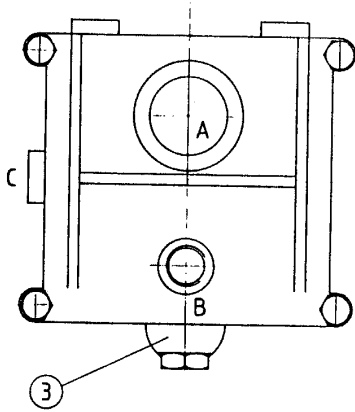
TANK CAPACITY -- 1 QUART (0.95 LITER)

A, C, D, -- 1/4 N.P.T.

B -- 3/8 N.P.T.

E -- M 12 x 1.5

ALL DIMENSIONS IN INCHES (MM)



**KOBELT** MANUFACTURING  
COMPANY LIMITED