

## SPECIFICATIONS

Relief pressure: 1500 psi (103 bar)

Pipe port size: 7/8-14 "O" Ring Fitting

Flow capacity: 20 GPM

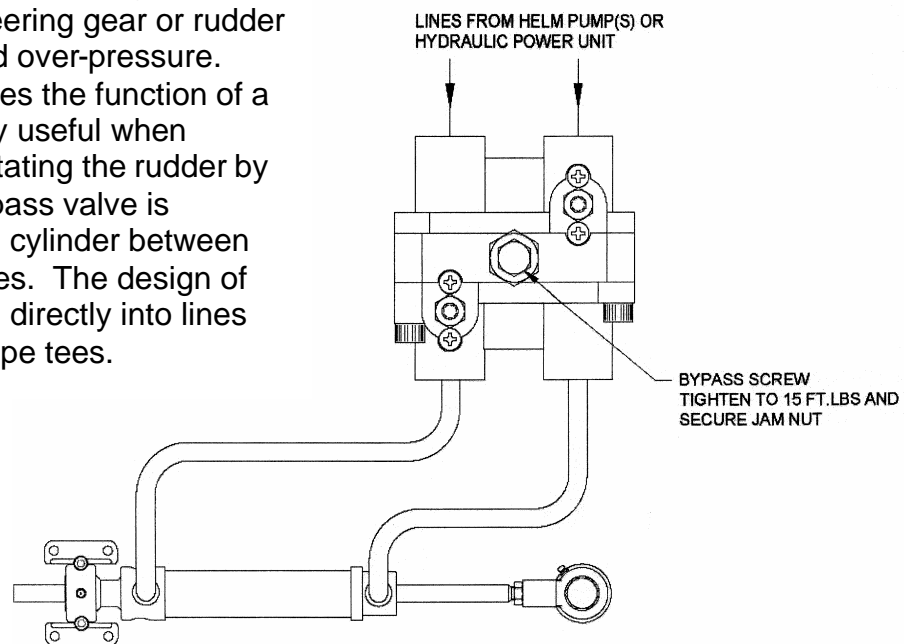
Weight: 3.7 lbs. (1.7 kg)

## ORDERING INFORMATION

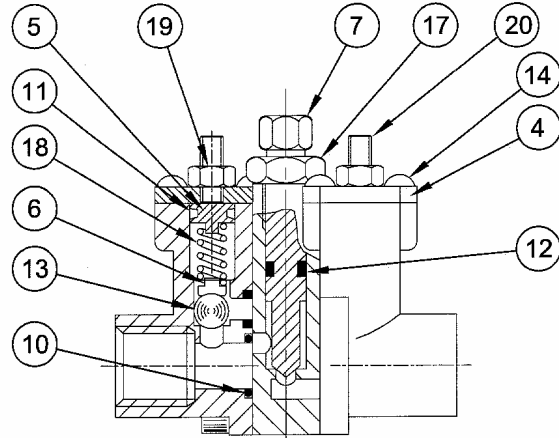
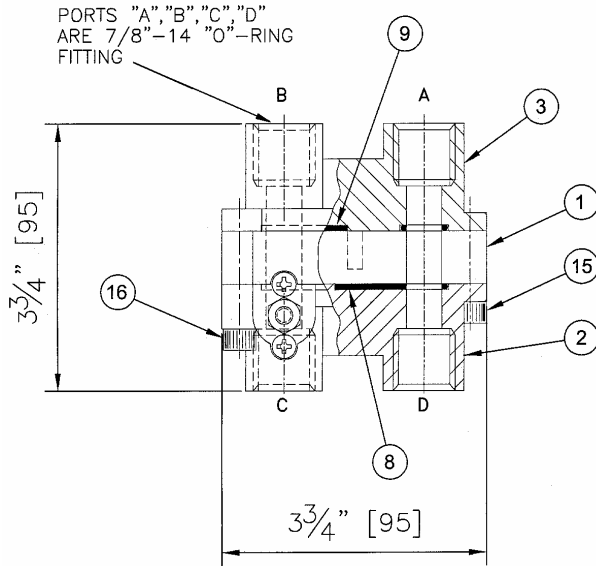
To order state model number 7020

## MODEL 7020 SAFETY AND BYPASS VALVE

The purpose of this valve is to safeguard against damage to the steering gear or rudder from hydraulic shocks and over-pressure. This valve also incorporates the function of a bypass valve. This is very useful when bleeding the system or rotating the rudder by hand. The safety and bypass valve is installed near the steering cylinder between the port and starboard lines. The design of the valve allows plumbing directly into lines without the necessity of pipe tees.



# PARTS LIST MODEL 7020



All dimensions in inches (mm)

Item	Quantity	Part Number	Description
1	1	7020-0001	Centre Piece
2	1	7020-0002	Manifold L.H.
3	1	7020-0003	Manifold R.H.
4	2	7020-0004	Retainer
5	2	7020-0005	Upper Spring Retainer
6	2	7020-0006	Lower Spring Retainer
7	1	7020-0007	Valve Stem
8	1	7020-0008	Seal
9	1	7020-0009	Seal
10	2	1101-0015	"O" Ring
11	2	1101-0012	"O" Ring
12	1	1101-0011	"O" Ring
13	2	1301-0112	Ball
14	4	1010-0808	Round Head Screw
15	3	1002-1124	Socket Head Screw
16	1	1002-1128	Socket Head Screw
17	1	1022-0264	Jam Nut
18	1	1201-0166	Spring
19	2	1022-0160	Hex Nut
20	2	1016-1011	Hex Socket Setscrew