

MODEL 7065 2 1/2" I.D. STEERING CYLINDER



This cylinder offers the very latest in design and engineering. It is entirely made of non-corrosive materials. Heavy duty urethane "U" cups are used to ensure positive sealing and long life. The cylinder can be ordered with the rod end secured with a jam nut.

Materials: Brass tube and piston. Endcaps and bearings are silicone bronze. Piston rod is stainless steel and hard chromed.

Max. Pressure: 1500 psi (103 bar)

Weight: 25 lbs. (11.5 kg) 10" stroke
27 lbs. (12.3 kg) 12" stroke
31 lbs. (14.1 kg) 16" stroke

Effective Piston Area: 4.12 in² (26.6 cm²)
Balanced Cylinders Rudder angle 35°

ORDERING INFORMATION

- B – Balanced cylinder
- U – Unbalanced cylinder
- 10 – With 10" stroke
- 12 – With 12" stroke
- 16 – With 16" stroke

Example: Balanced steering cylinder with rod end and 12" stroke, the ordering number is 7065-B12

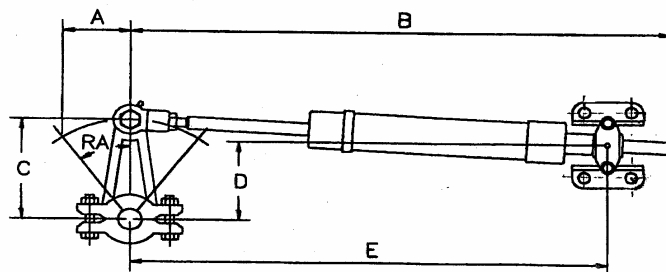
Note: Other strokes are available on request.

Torque		Stroke		Displacement		A		B		C		D		E	
lb-ft	kg-m	in.	mm	in ³	cm ³	in.	mm	in.	mm	in.	mm	in.	mm	in.	mm
2454	340	10	254	41	672	5	127	30.3	769	8.7	221	7.9	201	28.1	714
2944	407	12	305	49	803	6	152	34.3	870	10.5	266	9.5	242	31.1	790
3926	543	16	406	66	1082	8	203	42.3	1074	13.9	354	12.7	322	37.1	943

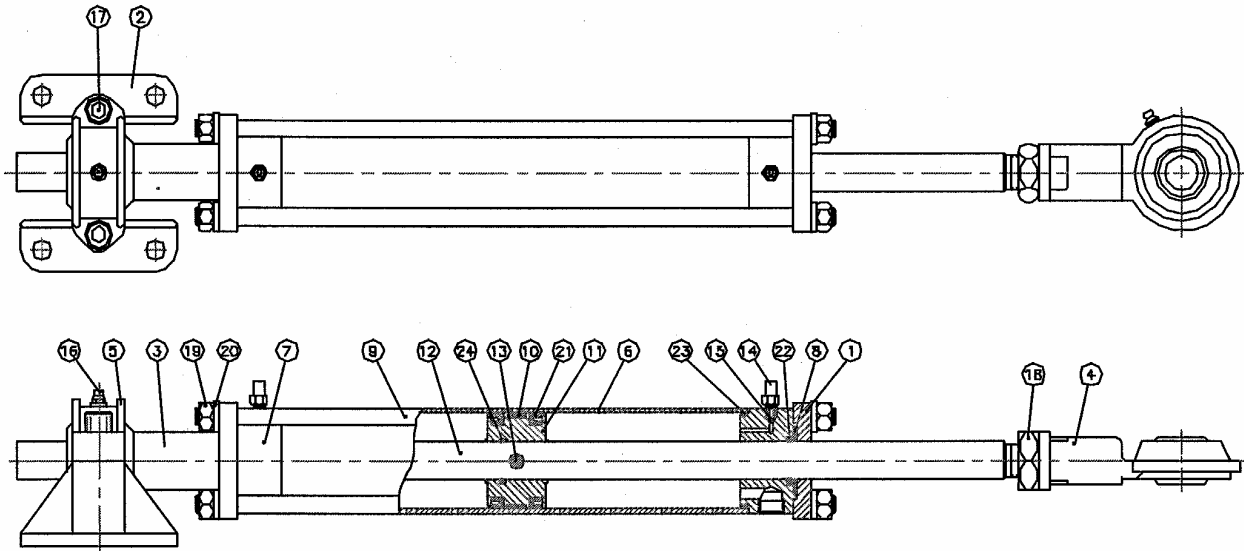
Rudder angle 45°

Torque		Stroke		Displacement		A		B		C		D		E	
lb-ft	kg-m	in.	mm	in ³	cm ³	in.	mm	in.	mm	in.	mm	in.	mm	in.	Mm
1718	238	10	254	41	672	5	127	30.3	769	7.1	180	6.0	153	28.1	714
2062	285	12	305	49	803	6	152	34.3	870	8.5	216	7.2	184	31.1	790
2749	380	16	406	66	1082	8	203	42.3	1074	11.3	287	9.6	245	37.1	943

? Torque is based on 1000 psi (69 bar)



DIMENSIONS AND PARTS LIST MODEL 7065



Drawings show balanced version only

MODEL 7065-B

ITEM	QTY	PART NO.	DESCRIPTION	ITEM	QTY	PART NO.	DESCRIPTION
1	1	7065-0001	End Cap	13	1	7065-0016	Pin
2	1	7065-0002	Trunnion Foot	14	2	7040-0011	Bleeder Screw
3	1	7065-0003	Trunnion End Cap	15	2	1301-0005	Ball
4	1	7065-0004	Rod End	16	2	1501-0301	Grease Nipple
5	1	7065-0005	Trunnion Cap	17	2	1002-1432	Hex Skt Cap Screw
6	1	7065-0006	Cylinder Tube	18	1	1022-0268	Jam Nut
7	2	7065-0007	Rod Guide	19	8	1022-0163	Hex Nut
8	2	7065-0011	Retaining Washer	20	8	1023-0313	Lock Washer
9	4	7065-0012	Tie Rod	21	2	1102-0032	"U" Cup
10	1	7065-0013	Wear Ring	22	2	1102-3009	"U" Cup
11	1	7065-0014	Piston	23	2	1104-0141	"O" Ring
12	1	7065-0015	Piston Rod	24	1	1101-0120	"O" Ring

Alternative parts for MODEL 7065-U

ITEM	QTY	PART NO.	DESCRIPTION	ITEM	QTY	PART NO.	DESCRIPTION
7*	1	7065-0008	Rod End Cap	12	1	7065-0010	Piston Rod
11	1	7065-0009	Piston				