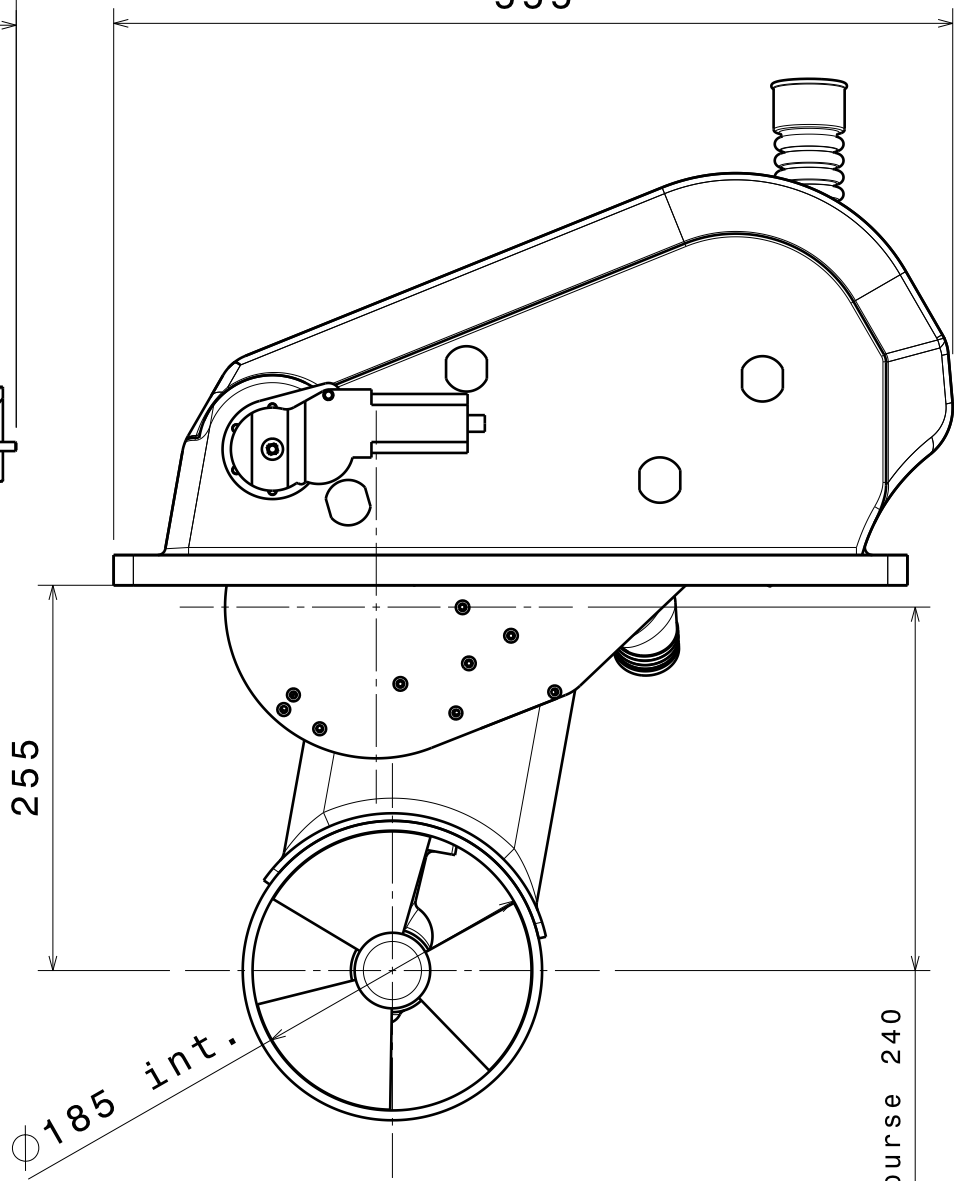
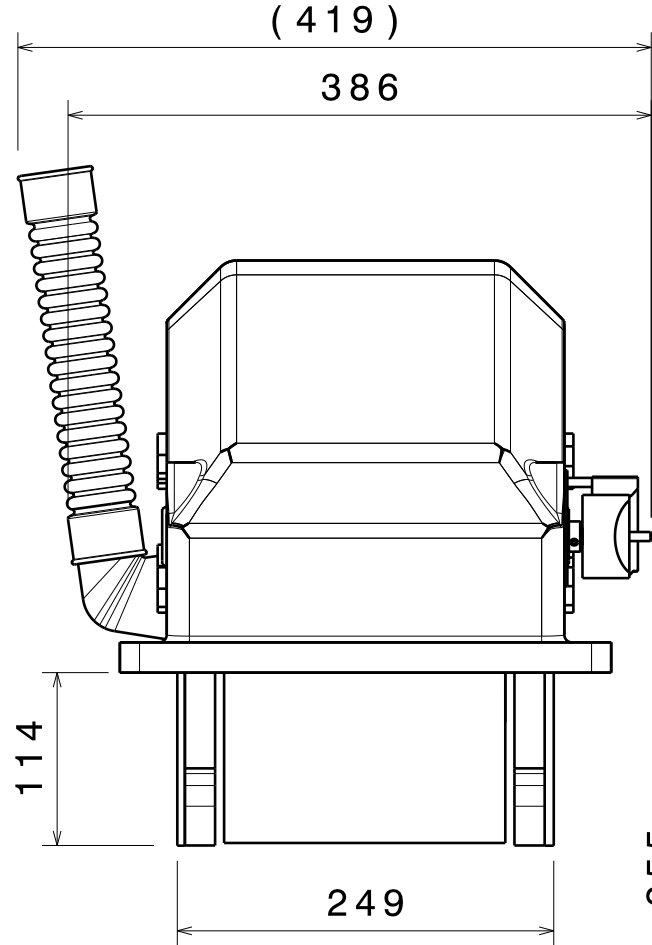
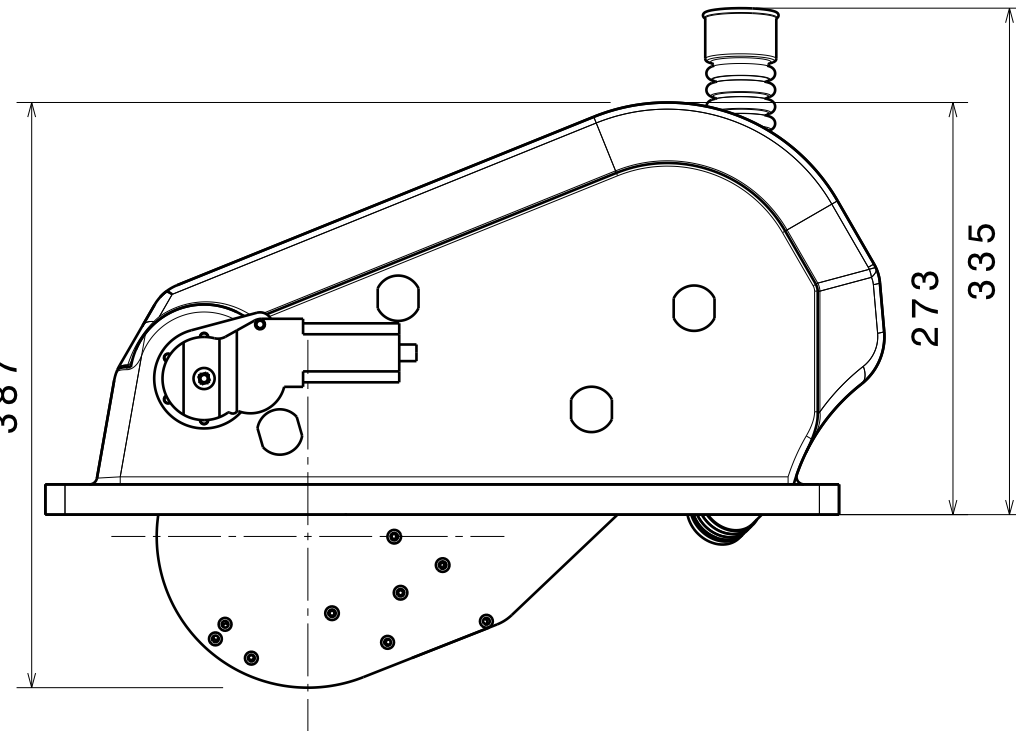


POSITION FERMEE
RETRACTED POSITION

POSITION OUVERTE
DEPLOYED POSITION



EN CAS DE DOUTE, MERCI DE NOUS CONTACTER
IN CASE OF DOUBT, PLEASE ASK

NOTA :
Dimensions exprimées en mm
Profondeur minimale d'immersion : un diamètre de turbine sous la ligne de flottaison
! Attention aux modifications d'échelles lors de l'impression !

NOTES :
Dimensions in mm
Minimal immersion depth : one turbine diameter under the waterline
! Be careful to scales modifications when printing !

| | | | | |
|---|--------------------|---|------------------------------|-----------------|
| This drawing is our property. It can't be reproduced or communicated without our written agreement. | | MAX POWER | | |
| DRAWING TITLE | | RTE085012&RTE085024 - Compact Retract 12&24V general dimensions | | |
| DRAWN BY PBE | DATE 26/01/2009 | SIZE A3 | DRAWING NUMBER XXX | REV A |
| CHECKED BY XXX | DATE xxx | SCALE 1:5 | WEIGHT (kg) 40 | SHEET 1/1 |
| DESIGNED BY XXX | DATE xxx | | | |