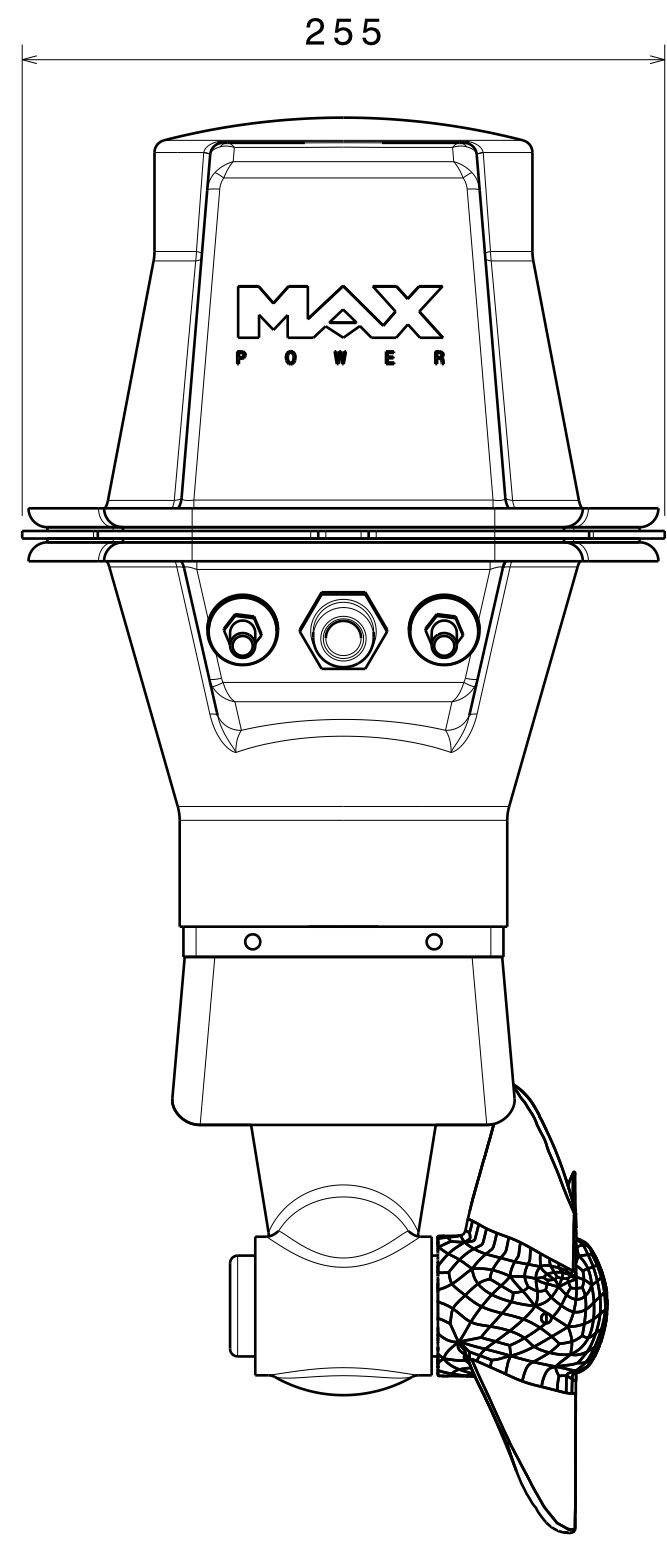
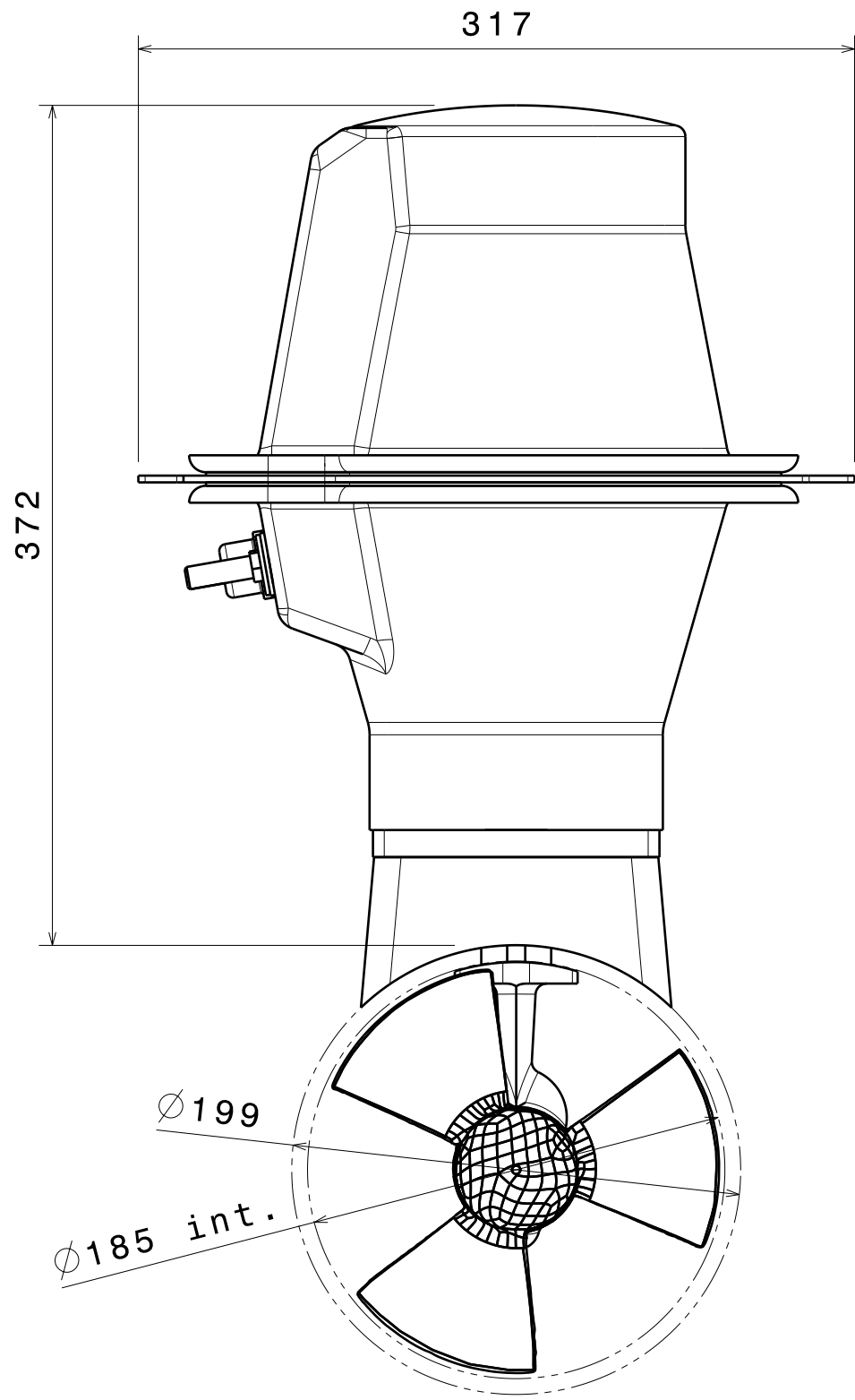


H G F E D C B A



EN CAS DE DOUTE, MERCI DE NOUS CONTACTER
IN CASE OF DOUBT, PLEASE ASK

NOTA :
Dimensions exprimées en mm
Profondeur minimale d'immersion : un diamètre de turbine sous la ligne de flottaison
! Attention aux modifications d'échelles lors de l'impression !

NOTES :
Dimensions in mm
Minimal immersion depth : one turbine diameter under the waterline
! Be careful to scales modifications when printing !

This drawing is our property. It can't be reproduced or communicated without our written agreement.		MAX POWER		
DRAWING TITLE		MPSPC412&424/IP - CT60IP		
DRAWN BY	DATE	DRAWING NUMBER		REV
PBE	13/01/2009	XXX		A
CHECKED BY	DATE	SIZE	DRAWING NUMBER	
XXX	XXX	A3	XXX	
DESIGNED BY	DATE	SCALE	WEIGHT (kg)	SHEET
XXX	XXX	1:3	11.6	1/1

H G B A