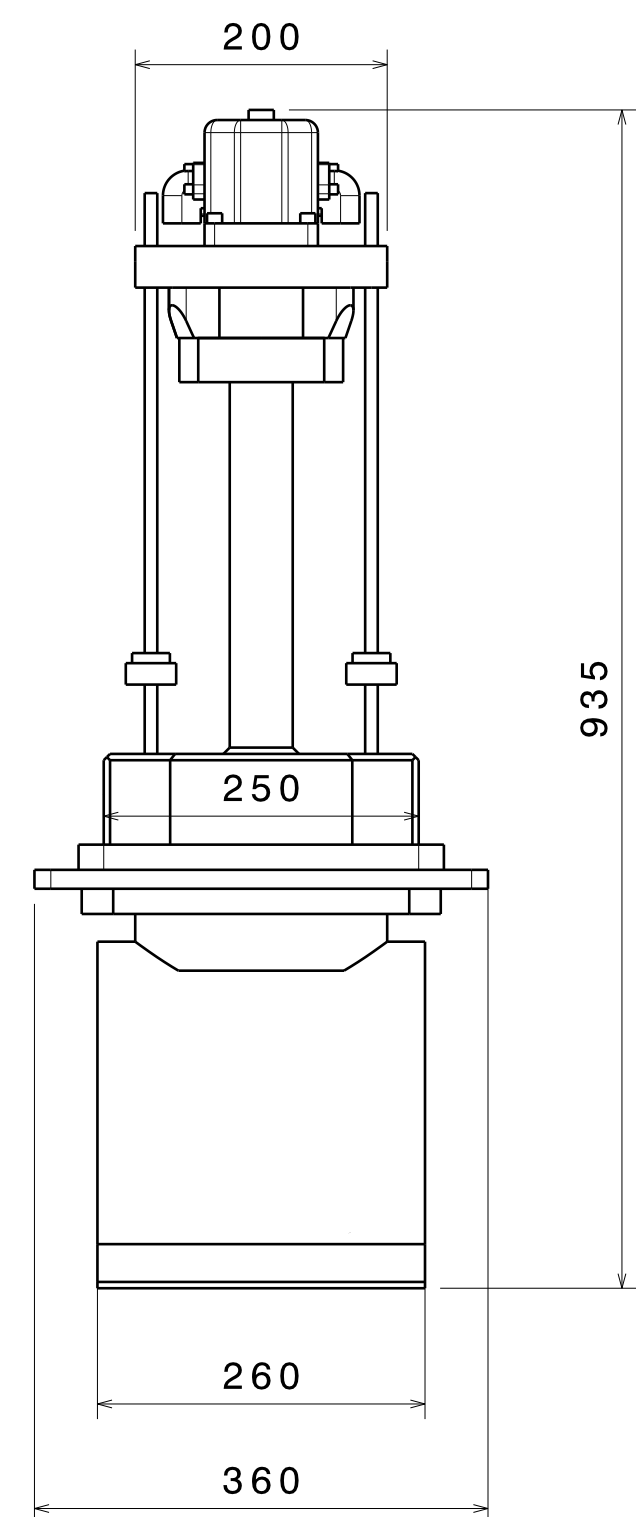
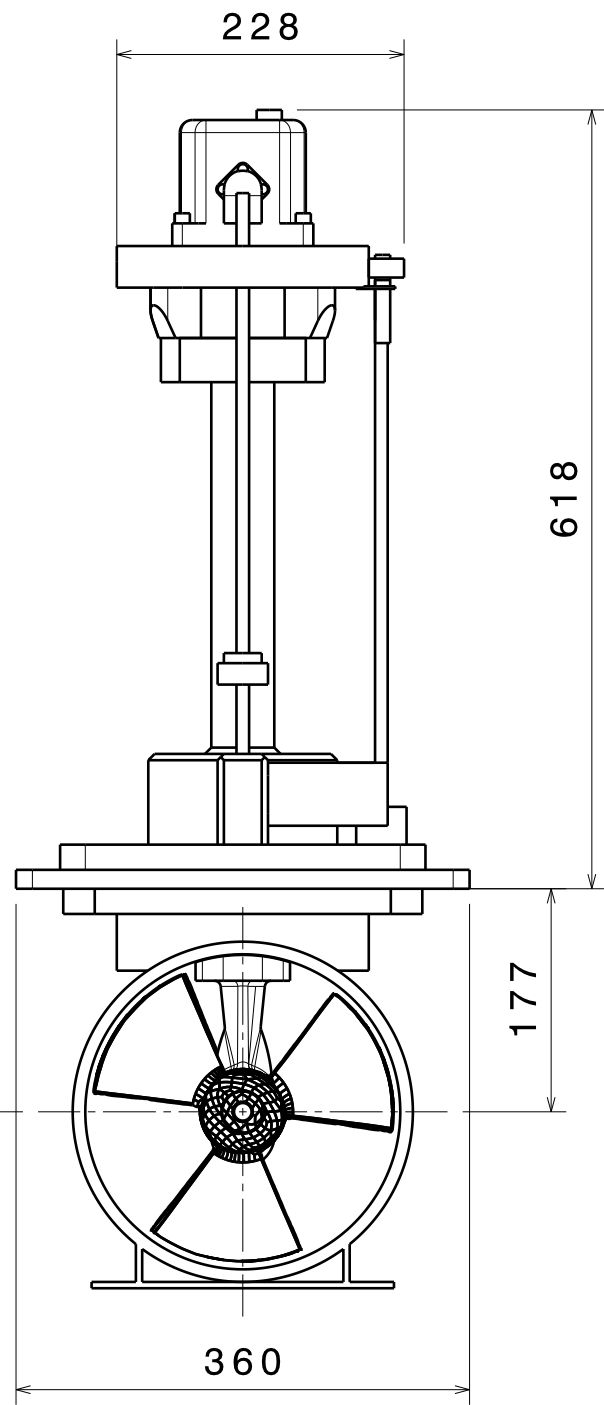


course/stroke 295



Ø250 int.

NOTA :
 Dimensions exprimées en mm
 Profondeur minimale d'immersion : un diamètre de turbine sous la ligne de flottaison
 ! Attention aux modifications d'échelles lors de l'impression !

NOTES :
 Dimensions in mm
 Minimal immersion depth : one turbine diameter under the waterline
 ! Be careful to scales modifications when printing !

This drawing is our property. It can't be reproduced or communicated without our written agreement.		MAX POWER		
DRAWING TITLE		VPHYDC252&250 - VIP250 12&24V		
DRAWN BY	DATE	DRAWING NUMBER		REV
PBE	20/01/2009	XXX		A
CHECKED BY	DATE	SIZE	DRAWING NUMBER	
XXX	XXX	A3	XXX	
DESIGNED BY	DATE	SCALE	WEIGHT (kg)	SHEET
XXX	XXX	1:6	37	1/1

EN CAS DE DOUTE, MERCI DE NOUS CONTACTER
 IN CASE OF DOUBT, PLEASE ASK