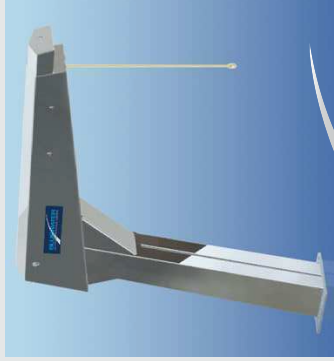


# BLUEWATER HI-PERFORMANCE DAVIT



**BLUEWATER**  
HI-PERFORMANCE DAVITS



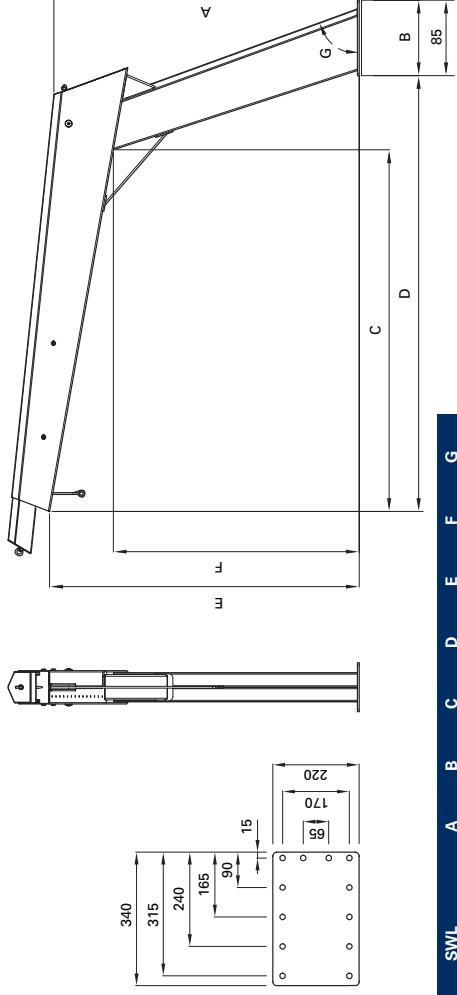
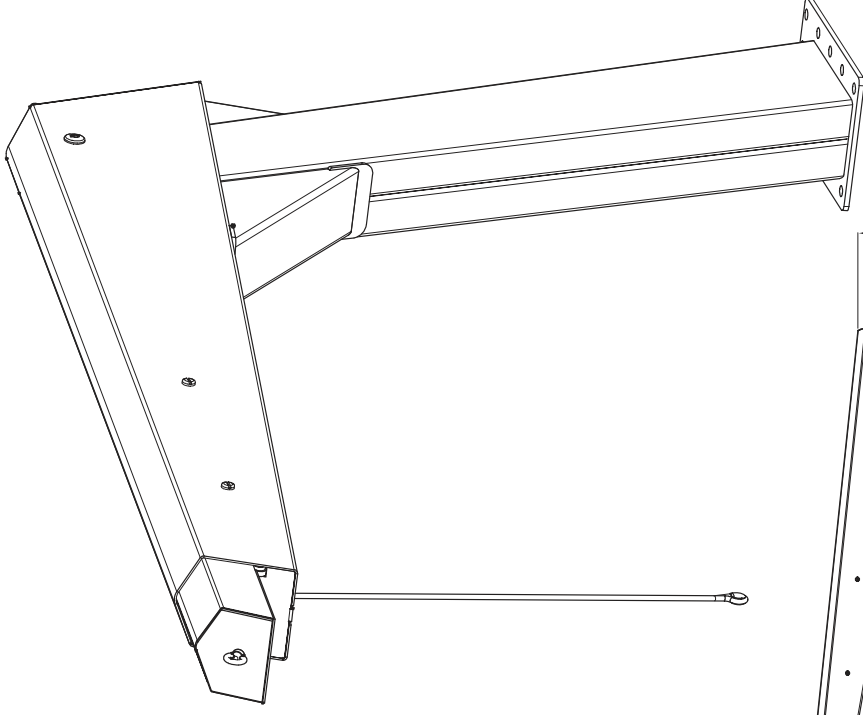
## Simpson Davits

**The most uplifting Davit ever, from Cooney Marine, a new addition to their well known Simpson Davits range. It is built for the serious ocean adventurer incorporating a unique extending function.**

BlueWater is the first of a new range of Simpson-Davits using traditional styling and stainless engineering to achieve a super high performance capability.

For those boat builders and boat owners looking for unsurpassed heavy weight lifting capabilities, with fast hydraulic operation... the BLUEWATER davit is for you. Traditional high quality Cooney stainless engineered design, with a well proven lifting and movement mechanism. The extending lift point is a world first and a feature that has been requested for many years.

- 400kg lift
- Hydraulic extending lift point
- Hydraulic operation lift
- Dynema lifting rope
- Quiet running
- Classic looks

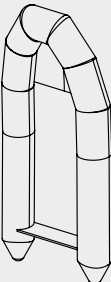

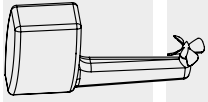

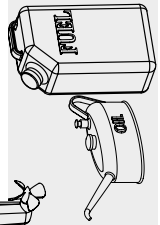

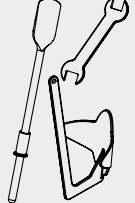




MODEL	SWL	A	B	C	D	E	F	G
BD400	400kg	1376	340	1630	1964	1108	1395	70


# DAVIT SELECTION



Calculate the **TOTAL weight (kg)** to be carried by the davits, this includes:-

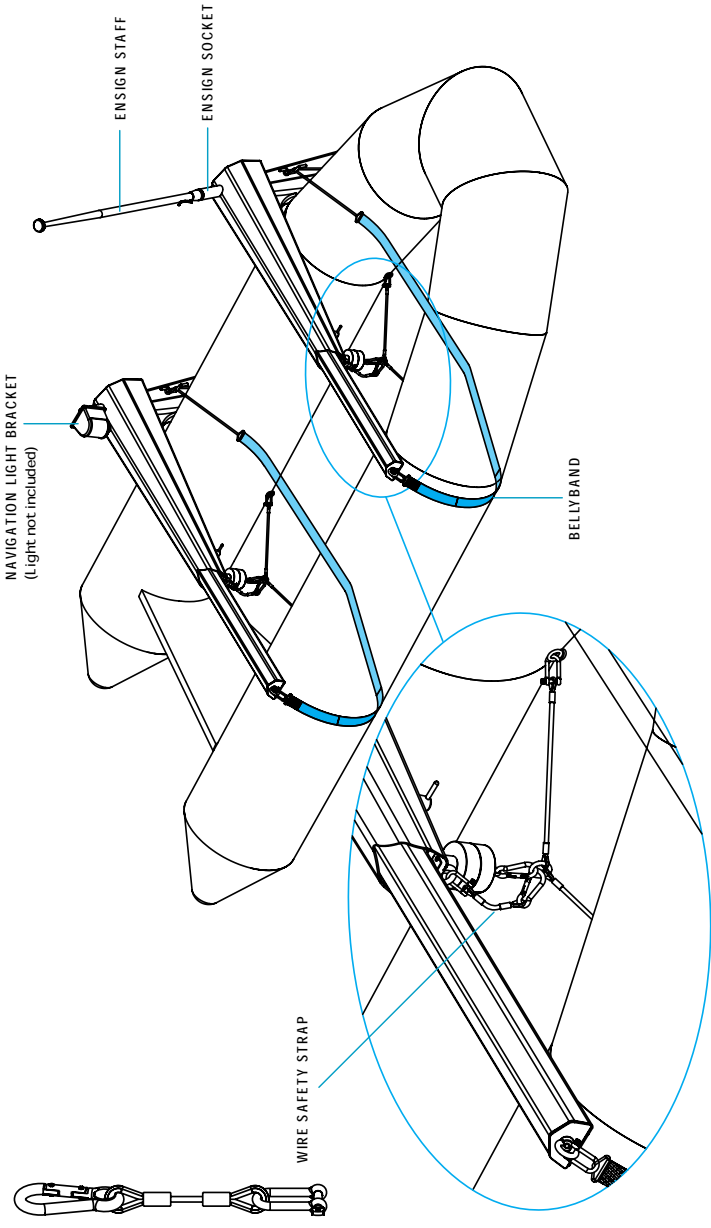
<b>1. The Dinghy</b>		=		_____
<b>2. The Engine</b>		=		_____
<b>3. Engine Fluids</b>		=		_____
<b>4. Equipment</b>		=		_____
<b>TOTAL WEIGHT</b>		=		_____

 Lifting Wt	<50	<75	<100	<125	<150	<175	<200	<225	<250	<300
S-type					S 150	S 175	S 225	S 225	S 250	S 300
D-type			D 100	D 125	D 150	D 175	D 200	D 225	D 250	
SD-type	LSD 50	LSD 75			LSD 125					
Reach (mm)		805	1090	880	1245	1045	1200	1045	1045	1210
Reach SD (mm)	782	974		974						

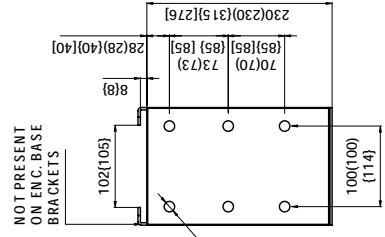
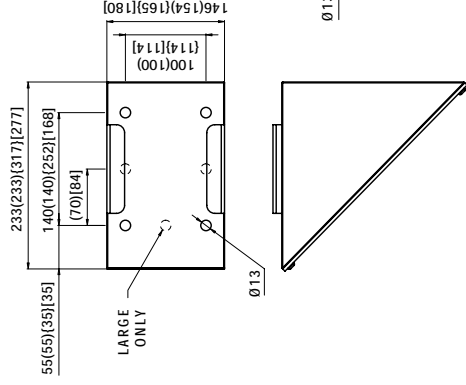
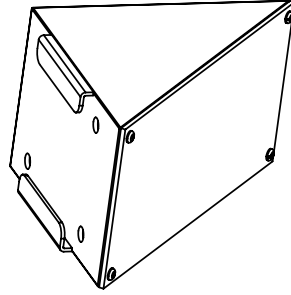


# DAVITS ACCESSORIES



## Transom Brackets

Standard transom brackets for use on vertical transom.  
Custom made transom brackets are available to suit all stern shapes and have the same features as the standard brackets.



## DAVIT ACCESSORIES (SIMPSON DAVITS)

PART NUMBER	DESCRIPTION
X 02063	2m Bellyband S trap 100 & 150
X 02064	2.5m Bellyband S trap 200 & 250
X 02065	3m Bellyband S trap 125, 175, 225 & 300
X 04090	Wire Safety S trap Set
DA 9301	Transom Brackets Std S small
DA 9302	Transom Brackets Std Large
X 00212	Custom Transom Brackets S small
X 00712	Custom Transom Brackets Large

# DAVITS ACCESSORIES

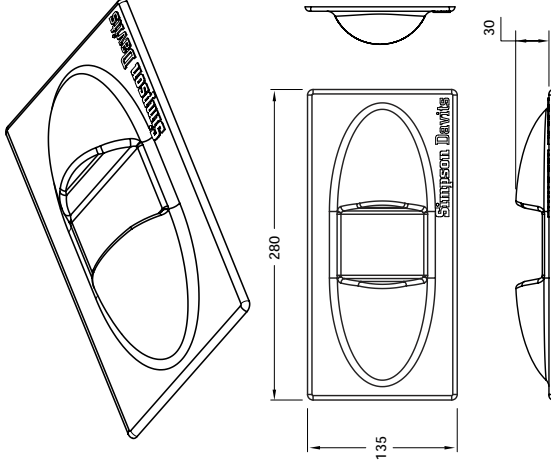


## Interlock Blocks

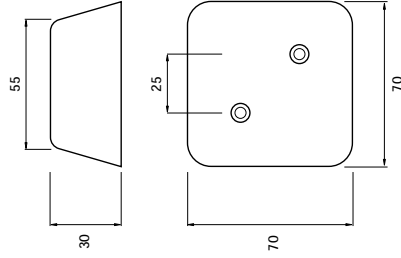
Patented neoprene block for easy fitting to the dinghy to ensure stability and chafe-proof stowage. Available in black or grey.

### Series 7 Interlock Block

1 set = 2 Blocks, 2 Location Pads and 2 Rubbing Strips.

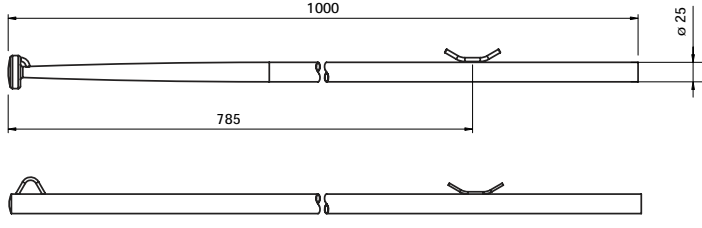


### Interlock Block Location Pad



## Ensign Staff

Standard Tapered



### DAVIT ACCESSORIES (SIMPSON DAVITS)

PART NUMBER	DESCRIPTION
DA 9201	Deck Shoe - Small
DA 9202	Deck Shoe - Large
DA 9550	Interlock Block G lue
DA 9901	Davit Packing 100 & 150
DA 9902	Packing LSD Davits & Gangways
DA 9904	Davit Packing 125 & 175
DA 9905	Davit Packing 200, 225 & 250
A 227-019	Interlock Block for S7 Davits Grey Only
X 03945	Ensign Socket
X 03943	Ensign Staff 1m
X 03944	Ensign Staff Tapered 1m
X 03891	Navigation Light Bracket