

P844-3

For Models: L844D, M844W3,
M844LW3, NL844W3,
NL844LW3, and M20CRW3

PARTS CATALOG



SAILTEC GmbH - Hasselbinnen 28 - D-22869 Schenefeld
Tel. +49-(0)40-8229940 - Fax +49-(0)40-8304279
Email info@sailtec.de - Internet www.sailtec.de

Marine Generators | Marine Diesel Engines | Land-Based Generators



LUGGER





— CALIFORNIA —
Proposition 65 Warning:

Diesel engine exhaust and some of its constituents are known to the State of California to cause cancer, birth defects, and other reproductive harm.

Northern Lights
4420 14th Avenue N.W.
Seattle, WA 98107
Tel: (206) 789-3880
Fax: (206) 782-5455

Copyright ©2011 Northern Lights, Inc.
All rights reserved. Northern Lights™, and
the Northern Lights logo are trademarks of
Northern Lights, Inc.

Printed in U.S.A.
PART NO.: P844-3 12/11



SAILTEC GmbH - Hasselbinnen 28 - D-22869 Schenefeld
Tel. +49-(0)40-8229940 - Fax +49-(0)40-8304279
Email info@sailtec.de - Internet www.sailtec.de

PARTS CATALOG

for Models L844D, M844w3, M844LW3, NL844w3, NL844LW3, AND M20CRW3

Please read thoroughly before attempting to use this manual:

Table of Contents	1
Model Designation & Serial Numbers	2
Reading a Parts Page	3

Table of Contents

GROUP 1 - ENGINE

Cylinder Block Assembly	0 - 3
Crankshaft Assembly	4 - 7
Camshaft & Oil Pump	8
Cylinder Head	9 - 11
Rocker Arm Cover & Assembly	12 - 13

GROUP 2 - INTAKE & EXHAUST SYSTEM

Air Filter & Housing	0 - 1
Air Intake & Filter	2
Air Filter & Mounting - Industrial	3
Exhaust Manifold & Muffler - Industrial	4

GROUP 3 - COOLING

Heat Exchanger & Exhaust Manifold	0 - 1
Expansion Tank KC & Exhaust Manifold ...	2 - 3
Coolant Pump	4 - 6
Raw Water Pump & Mounting	7
Raw Water Pump Assembly	8
Radiator & Guard	10 - 11

GROUP 4 - FUEL SYSTEM

General Arrangement	0 - 7
Governor & Timing Gear Case	8 - 9
Fuel Filter & Piping	10 - 11
Fuel Line Connection	12 - 15
Fuel Injector	16
Fuel Feed Pump	17
Throttle Assembly	18

GROUP 5 - ELECTRICAL SYSTEM

12 & 24 Volt Engine	0 - 13
Starter Mounting & Flywheel Housing ...	14 - 15
Relay Board & Circuit Breaker	16
Starting Motor Assembly	17
Alternator & Mounting	18 - 20
Control Panels	21 - 26
Belt Guard Assembly	27 - 28

GROUP 6 - GASKET SETS

Gasket Sets	1 - 2
-------------------	-------

GROUP 7 - GEAR AND ADAPTER SETS

Gear Attaching Parts	0 - 1
----------------------------	-------

GROUP 8 - FRAME & MOUNTING

Front Engine Mounting	0
Base Frame Assemblies	1 - 7

GROUP 9 - ACCESSORIES & OPTIONAL EQUIPMENT

PTO	0
Electric Clutch	1
Oil Drain Kits	2 - 3
Coolant Recovery Tank	4
Remote Expansion Tank	5
Low Water Level Switch	6
Low Coolant Level Switch	7

Proprietary Information

This publication is the sole property of Northern Lights, Inc.
It may not be reproduced in whole or part without the expressed written permission of Northern Lights, Inc.
© Northern Lights, Inc. 2011. All rights reserved. Litho U.S.A. Publication number: P844-3 12/11.

MODEL DESIGNATION

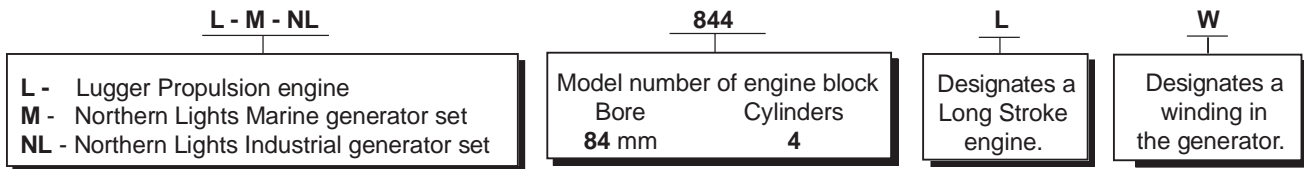
MODELS INCLUDED

This manual covers the operating instructions for:

L844D, M844W3, M844LW3, M20CRW3, NL844W3, and NL844LW3.

Model Numbers

Model numbers give the unit's application, block model, aspiration, and RPM:



L 844D = Lugger Propulsion engine with an 844 base engine, Tier III.

M 844W3 = Northern Lights marine diesel generator set with an 844 engine and a generator with a special winding, Tier III.

M 844LW3 = Northern Lights marine diesel generator with an 844 engine, long stroke, special winding generator, Tier III.

M 20CRW3 = Northern Lights 20 kW commercial grade marine diesel generator with a generator with a special winding, Tier III.

NL 844LW3 = Northern Lights industrial diesel generator set with an 844L engine and a radiator, Tier III.

Serial Numbers

Your set has three serial numbers: ① an engine number stamped on the block, ② a generator plate and, ③ a generator set plate. Use the serial number on the **generator set plate** when ordering parts or in correspondence. The generator set plate is found on the service side of the generator and resembles the drawings below.



READING A PARTS PAGE

IMPORTANT:

Before selecting parts, be sure that you are choosing parts from the correct page.
Check the model designation at the page top.
Do not use this illustration for parts purchasing.

KEY	PART NUMBER	QTY.	DESCRIPTION	SERIALNUMBER
0	185046210	1	Alternator Assembly	-
1	185446219	1	Flywheel, complete	-
2	185446217	1	Plate, complete	-
3	185716200	1	Plate	-
4	185446218	1	Stator, complete	-
5	040126210	2	Bearing	-
6	020210010	1	Nut	-
7	027100010	1	Spring washer	-
8	026100010	1	Washer	-
9	185446220	1	Clamp	-
10	015140408	1	Screw	-
11	015140425	2	Screw	-
12	199236510	1	Collar	-

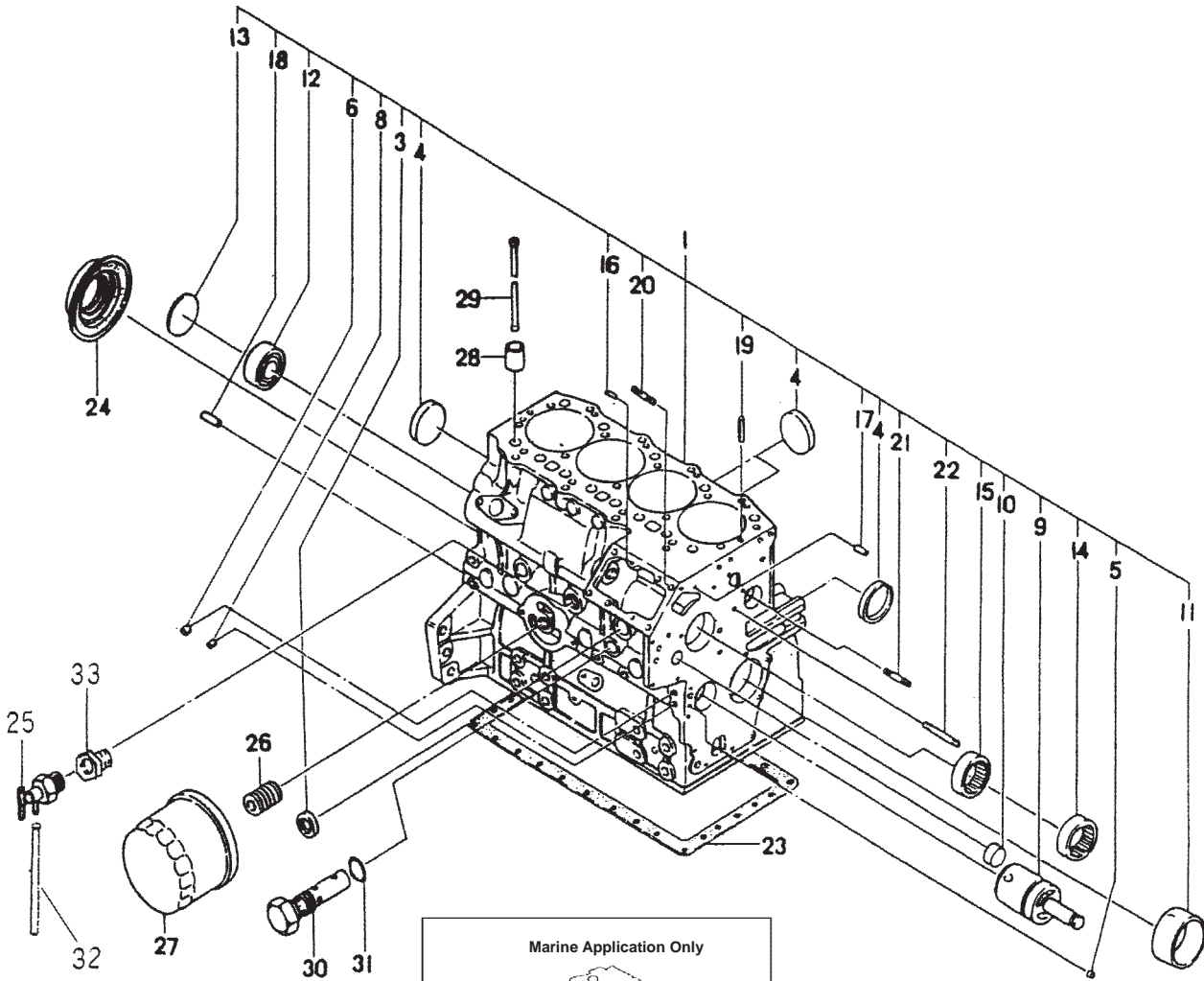
13 — P844 06/96 — 14
11 — 5-2 — 12

REFERENCES:

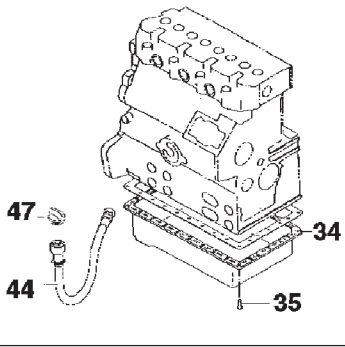
- | | |
|--|--|
| <ol style="list-style-type: none"> 1. Grouping section title. 2. Model designation of equipment that uses parts listed on this page. 3. Title and description of assembly. 4. Drawing numbers that correspond to key column numbers for parts identification. 5. Key column for locating parts shown on drawing. 6. Part number. | <ol style="list-style-type: none"> 7. Quantity of parts used. 8. Description of each component part. 9. Serial number of unit the part fits. 10. Assembly or kit designated by Key 0 or ••/•. 11. Grouping index number. 12. Page number within the grouping index. 13. Manual title. 14. Page publication date. |
|--|--|

NOTE: ⇨ Arrows always point toward the front of the engine.

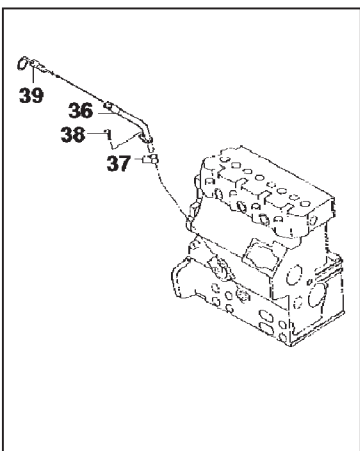
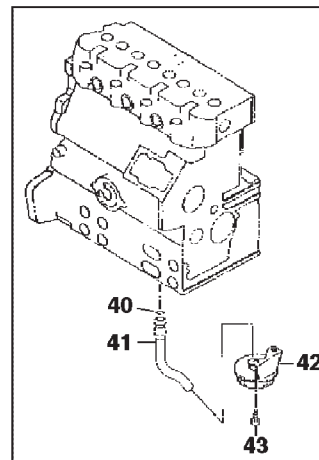
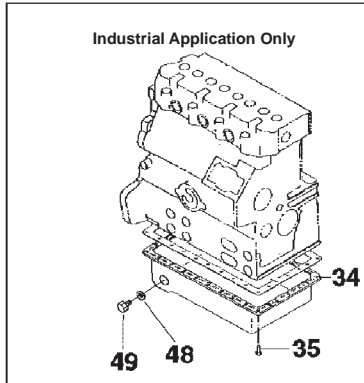
Cylinder Block Assembly 844



Marine Application Only



Industrial Application Only



844cylblock

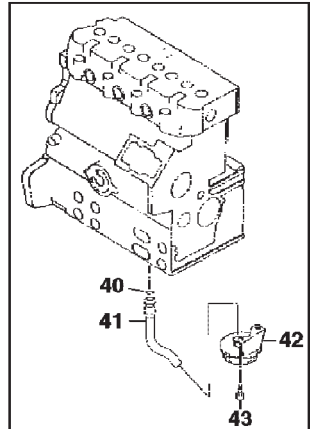
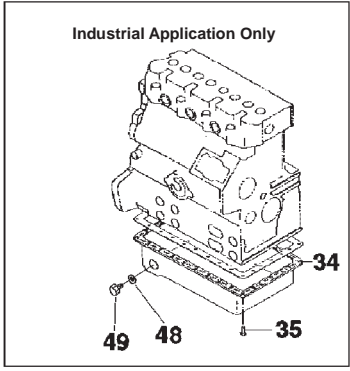
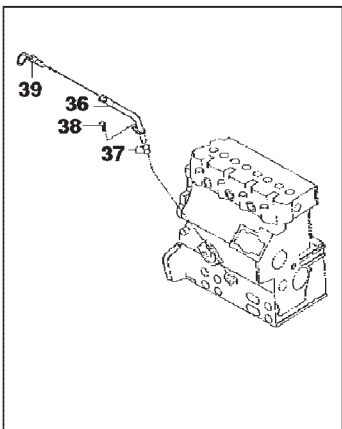
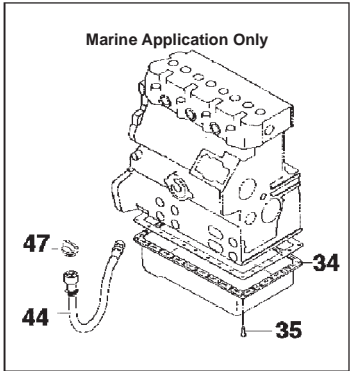
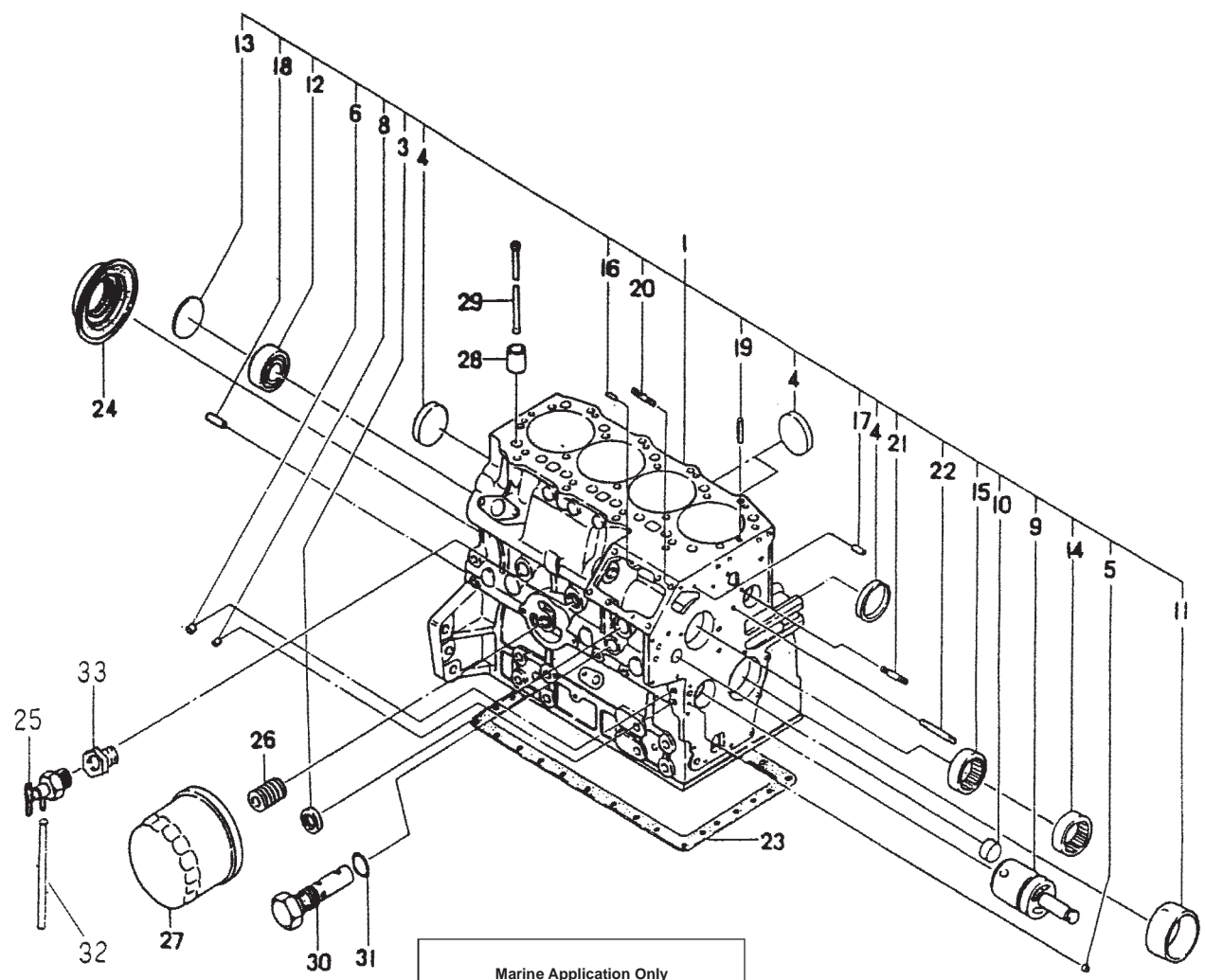
Cylinder Block Assembly 844

KEY	PART NUMBER	QTY	DESCRIPTION	SERIAL NUMBER
1	110101480	1	Cylinder Block Assembly - Marine (includes keys #2-22)	-
	110101470	1	Cylinder Block Assembly - Industrial (includes keys #2-22)	-
3	064210025	2	Expansion Plug 25 mm	-
4	064210040	5	Expansion Plug 40 mm	-
5	198466010	3	Plug	-
6	198466020	2	Plug	-
8	198466030	4	Plug	-
9	165296220	1	Idle Gear Shaft Assembly	-
10	198466020	2	Plug	-
11	198517222	1	Bush; Standard	-
	198517226	1	Bush; Undersize 0.25 mm	-
	198517229	1	Bush; Undersize 0.50 mm	-
12	040106203	1	Bearing	-
13	064100045	1	Expansion Plug, 45 mm	-
14	042309018	1	Needle Bearing	-
15	042309017	1	Needle Bearing	-
16	030500612	2	Dowel Pin	-
17	030500616	2	Dowel Pin	-
18	030501025	2	Dowel Pin	-
19	030309005	2	Spring Pin	-
20	012110820	3	Stud M8 x 1.25 x 20 mm	-
21	012110635	1	Stud M6 x 1.0 x 35 mm	-
22	012110660	1	Stud M6 x 1.0 x 60 mm	-
23	110996860	1	Gasket	-
24	198636170	1	Oil Seal	-
	00-02004	**	Wear Sleeve; Repair Type	-
25	198736050	1	Drain Cock	-
26	140546020	1	Filter Joint	-
27	24-02002	1	Oil Filter	-
28	120116160	8	Tappet	-
29	120456250	8	Push Rod	-
30	140036220	1	Relief Valve Assembly	-
31	052109078	1	O-ring	-
32	068105250	1	Tube	-
33	198486770	1	Bushing	-
34	110707731	1	Oil Pan - Marine	up to s/n xxxx-47026C
	36-72013	1	Oil Pan - Marine	from s/n xxxx-47027C
	110707751	1	Oil Pan - Industrial	-
35	010109235	30	Bolt	-
36	110756070	1	Dipstick Tube	-
37	052109113	2	O-ring	-
38	011310612	1	Bolt	-
39	198416320	1	Dipstick	-
40	052109076	1	O-ring	-
41	140986630	1	Oil Pipe	-
42	140406360	1	Suction Filter	-
43	011310612	2	Bolt	-
44	18-72004	1	Drain Hose* }	up to s/n xxxx-47026C
47	21-00003	1	Cap*	-
48	025100012	2	Seal Washer - Industrial	-
49	010411212	2	Plug M12 x 1.25 - Industrial	-

*Marine Application Only - See Oil Drain used from serial number xxxx-47027C

**As required

Cylinder Block Assembly 844L, M20CRW



844cylblock

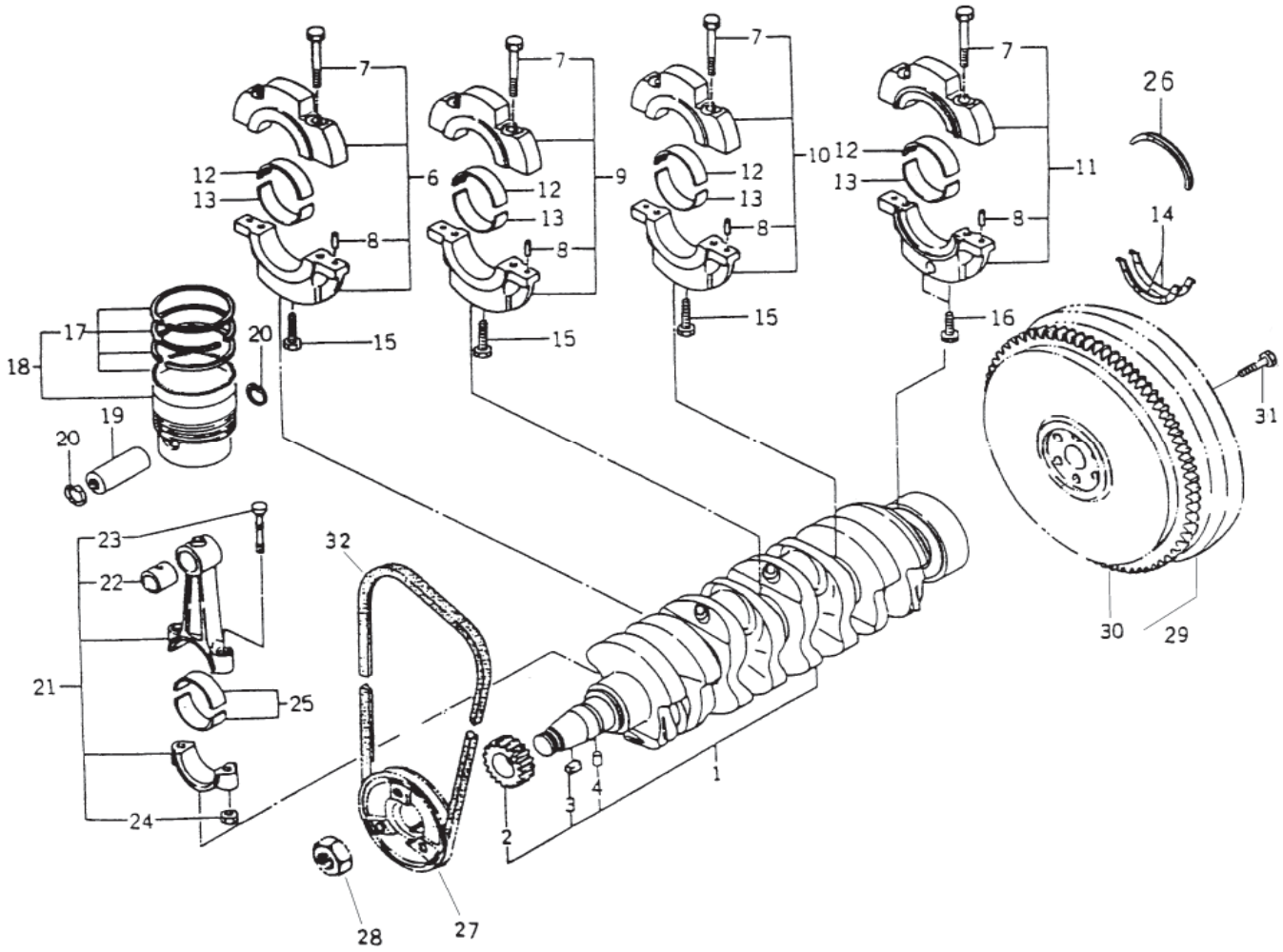
Cylinder Block Assembly 844L, M20CRW

KEY	PART NUMBER	QTY	DESCRIPTION	SERIAL NUMBER
1	110101300	1	Cylinder Block Assembly - Marine (includes keys #2-22)	-
	110101320	1	Cylinder Block Assembly - Industrial (includes keys #2-22)	-
	110101460	1	Cylinder Block Assembly - Commercial (includes keys #2-22)	-
3	064210025	2	Expansion Plug 25 mm	-
4	064210040	5	Expansion Plug 40 mm	-
5	198466010	3	Plug	-
6	198466020	2	Plug	-
8	198466030	4	Plug	-
9	165296220	1	Idle Gear Shaft Assembly	-
10	198466920	2	Plug - Marine & Industrial	-
	198466020	2	Plug - Commercial	-
11	198517222	1	Bush; Standard	-
	198517226	1	Bush; Undersize 0.25 mm	-
	198517229	1	Bush; Undersize 0.50 mm	-
12	040106203	1	Bearing	-
13	064100045	1	Expansion Plug	-
14	042309018	1	Needle Bearing	-
15	042309017	1	Needle Bearing	-
16	030500612	2	Dowel Pin	-
17	030500616	2	Dowel Pin	-
18	030501025	2	Dowel Pin	-
19	030309005	2	Spring Pin	-
20	012110820	3	Stud M8 x 1.25 x 20 mm	-
21	012110635	1	Stud M6 x 1.0 x 35 mm	-
22	012110660	1	Stud M6 x 1.0 x 60 mm	-
23	110996860	1	Gasket	-
24	050209083	1	Oil Seal - Marine & Industrial	-
	00-02004	**	Wear Sleeve; Repair Type	-
25	198736050	1	Drain Cock	-
26	140546020	1	Filter Joint	-
27	24-02002	1	Oil Filter	-
28	120116160	8	Tappet	-
29	120456310	8	Push Rod	-
30	140036220	1	Relief Valve Assembly	-
31	052109078	1	O-ring	-
32	068105250	1	Tube	-
33	198486770	1	Bushing	-
34	110707731	1	Oil Pan - Commercial	(Marine only) up to s/n
	36-72013	1	Oil Pan- Marine	from s/n
	110707751	1	Oil Pan - Industrial	xxxx-47167C xxxx-47168C
35	010109235	30	Bolt	-
36	110756070	1	Dipstick Tube	-
37	052109113	2	O-ring	-
38	011310612	1	Bolt	-
39	198416320	1	Dipstick	-
40	052109076	1	O-ring	-
41	140986630	1	Oil Pipe	-
42	140406360	1	Suction Filter	-
43	011310612	2	Bolt	-
44	140607330	1	Drain Hose*	-
47	398430620	1	Cap*	-
48	025100012	2	Seal Washer - Industrial	-
49	010411212	2	Plug M12 x 1.25 - Industrial	-

*Marine Application Only - See Oil Drain used from serial number xxxx-47168C

** As required

Crankshaft Assembly 844

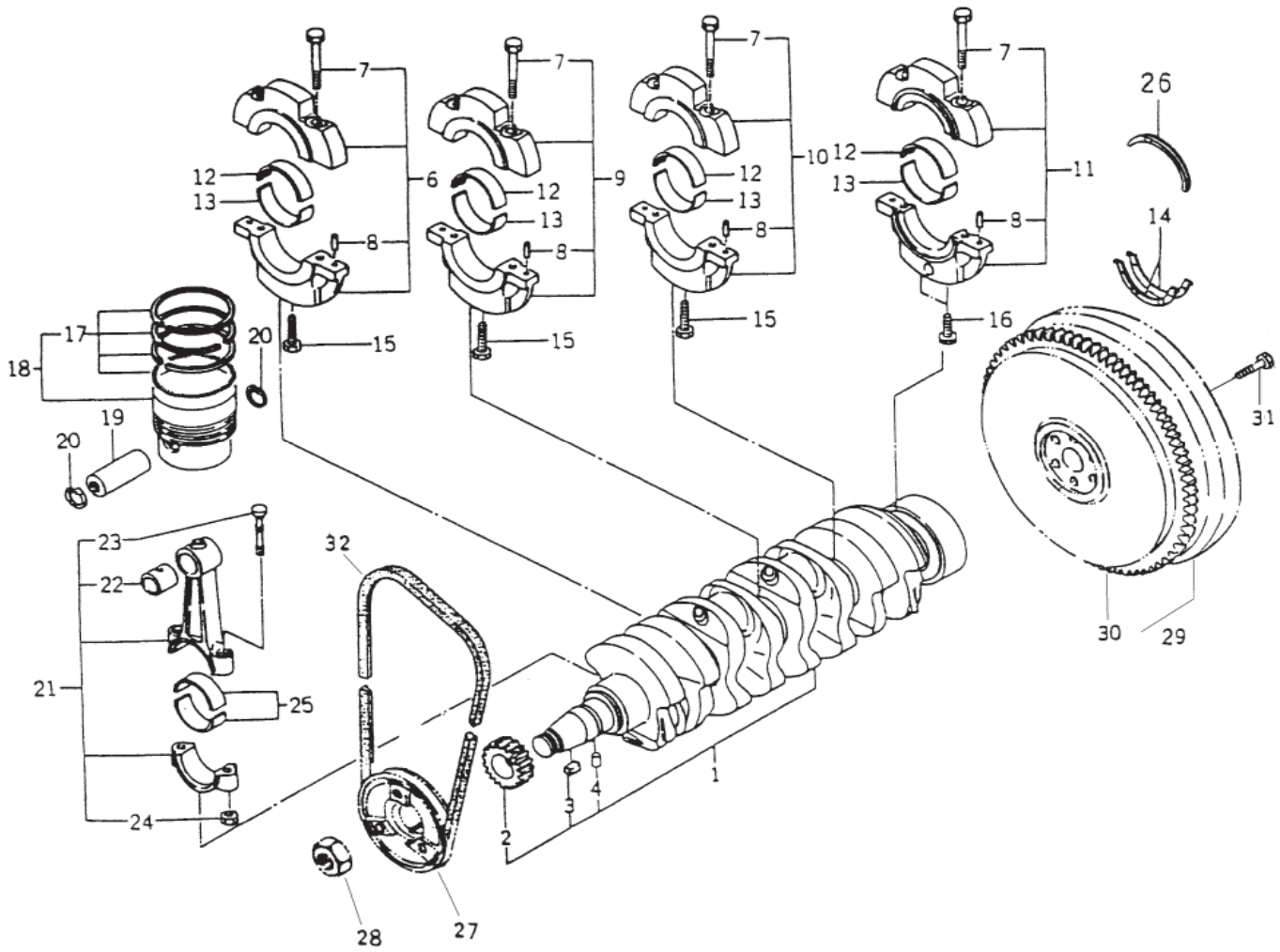


844crankshaft

Crankshaft Assembly 844

KEY	PART NUMBER	QTY	DESCRIPTION	SERIAL NUMBER
1	115256630	1	Crankshaft Assembly (includes keys #2 - 5)	-
2	115276200	1	Gear	-
3	034100508	1	Key	-
4	030509020	1	Dowel Pin	-
6	110156250	1	Bearing Holder Assembly (includes keys #7 - 8)	-
7	010109406	8	Bolt	-
8	030500612	8	Dowel Pin	-
9	110156171	1	Bearing Holder Assembly (includes keys #7 - 8)	-
10	110156181	1	Bearing Holder Assembly (includes keys #7 - 8)	-
11	110156191	1	Bearing Holder Assembly (includes keys #7 - 8)	-
12	198517232	4	Bearing; Standard	-
	198517236	4	Bearing; Undersize 0.25 mm	-
	198517239	4	Bearing; Undersize 0.50 mm	-
13	198517242	4	Bearing; Standard	-
	198517246	4	Bearing; Undersize 0.25 mm	-
	198517249	4	Bearing; Undersize 0.50 mm	-
14	199266200	2	Thrust Washer	-
15	011511075	3	Bolt	-
16	010700865	2	Bolt	-
17	115107970	4	Ring Kit; Standard	-
18	115017541	4	Piston Kit; Standard	-
19	115326220	4	Piston Pin	-
20	036500028	8	Snap Ring	-
21	115026251	4	Connecting Rod Assembly (includes keys #22 - 24)	-
22	198517265	4	Bushing	-
23	115176140	8	Connecting Rod Bolt	-
24	020109120	8	Nut	-
25	198517252	8	Bearing; Standard	-
	198517256	8	Bearing; Undersize 0.25 mm	-
	198517259	8	Bearing; Undersize 0.50 mm	-
26	199266210	1	Thrust Washer	-
27	115397620	1	Pulley (Marine)	-
	115396870	1	Pulley (Industrial)	-
28	020109086	1	Nut	-
29	115357050	1	Flywheel Assembly (includes key #30) SAE #7-1/2	-
30	115376040	1	Ring Gear (109 Teeth)	-
31	010109341	6	Bolt	-
32	40-02003	1	Drive Belt (with 12V/ 35A alternator)	-
	40-02005	1	Drive Belt (with 12V/ 51A , 24V/ 35A, and 24V/ 40A alternators)	-

Crankshaft Assembly 844L & M20CRW3



844crankshaft

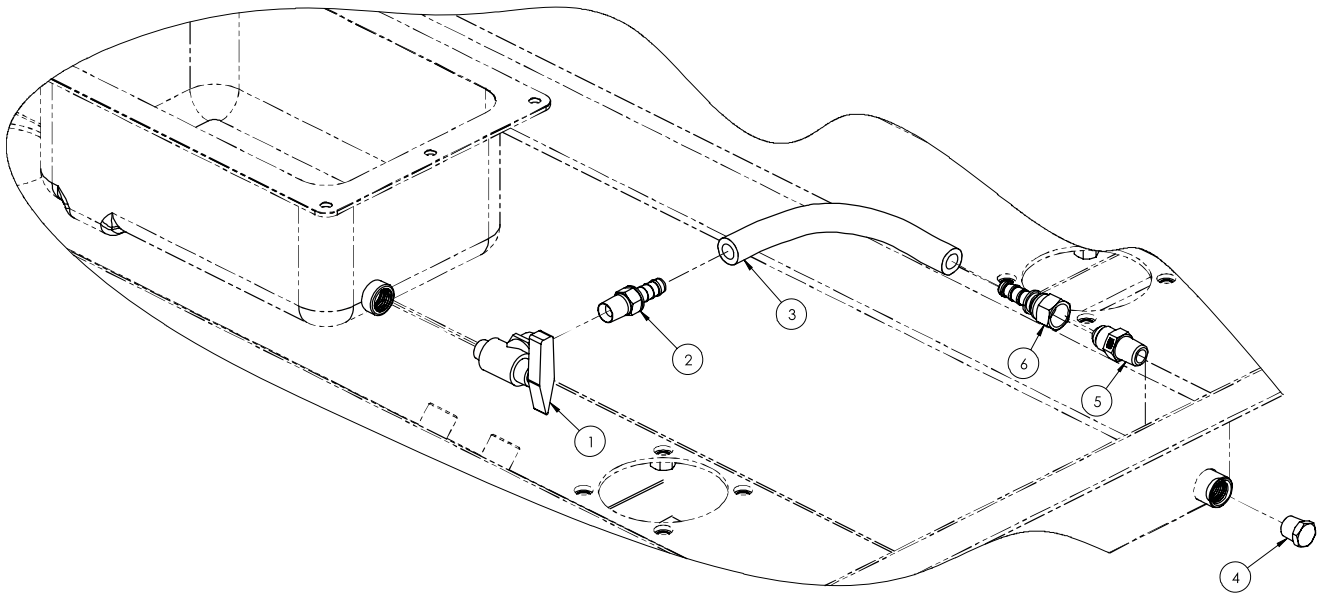
Crankshaft Assembly 844L & M20CRW3

KEY	PART NUMBER	QTY	DESCRIPTION	SERIAL NUMBER
1	115256750	1	Crankshaft Assembly (includes keys #2 - 4)	-
2	115276200	1	Gear	-
3	034100508	1	Key	-
4	030509020	1	Dowel Pin	-
6	110156360	1	Bearing Holder Assembly (includes keys #7 - 8)	-
7	010109406	8	Bolt	-
8	030500612	8	Dowel Pin	-
9	110156370	1	Bearing Holder Assembly (includes keys #7 - 8)	-
10	110156380	1	Bearing Holder Assembly (includes keys #7 - 8)	-
11	110156390	1	Bearing Holder Assembly (includes keys #7 - 8)	-
12	198517232	4	Bearing; Standard	-
	198517236	4	Bearing; Undersize 0.25 mm	-
	198517239	4	Bearing; Undersize 0.50 mm	-
13	198517242	4	Bearing; Standard	-
	198517246	4	Bearing; Undersize 0.25 mm	-
	198517249	4	Bearing; Undersize 0.50 mm	-
14	199266200	2	Thrust Washer	-
15	011511075	3	Bolt	-
	010109667	3	Bolt	-
16	010700860	2	Bolt	-
17	115107970	4	Ring Kit; Standard	-
18	115017491	4	Piston Kit; Standard (includes key #17)	-
19	115326220	4	Piston Pin	-
20	036500028	8	Snap Ring	-
21	115026330	4	Connecting Rod Assembly (includes keys #22 - 24)	-
22	198517265	4	Bushing	-
23	115176140	8	Connecting Rod Bolt	-
24	020109120	8	Nut	-
25	198517252	8	Bearing; Standard	-
	198517256	8	Bearing; Undersize 0.25 mm	-
	198517259	8	Bearing; Undersize 0.50 mm	-
26	199266210	1	Thrust Washer	-
27	115397620	1	Pulley (Marine)	-
	115396870	1	Pulley (Industrial)	-
	115396860	1	Pulley (Commercial)	-
28	020109086	1	Nut	-
29	115357470	1	Flywheel Assembly (includes key #30) SAE #7-1/2	-
30	115376160	1	Ring Gear (126 Teeth)	-
31	010109341	6	Bolt	-
32	40-08401	1	Drive Belt (with 12V/ 35A alternator)	-
	40-08404	1	Drive Belt (with 12V/ 51A, 24V/ 35A, and 24V/ 40A alternators)	-

GROUP 1 – ENGINE

Kit, Oil Drain and Valve

M844 From S/N xxxx-47027C
 M844L From S/N xxxx-47168C

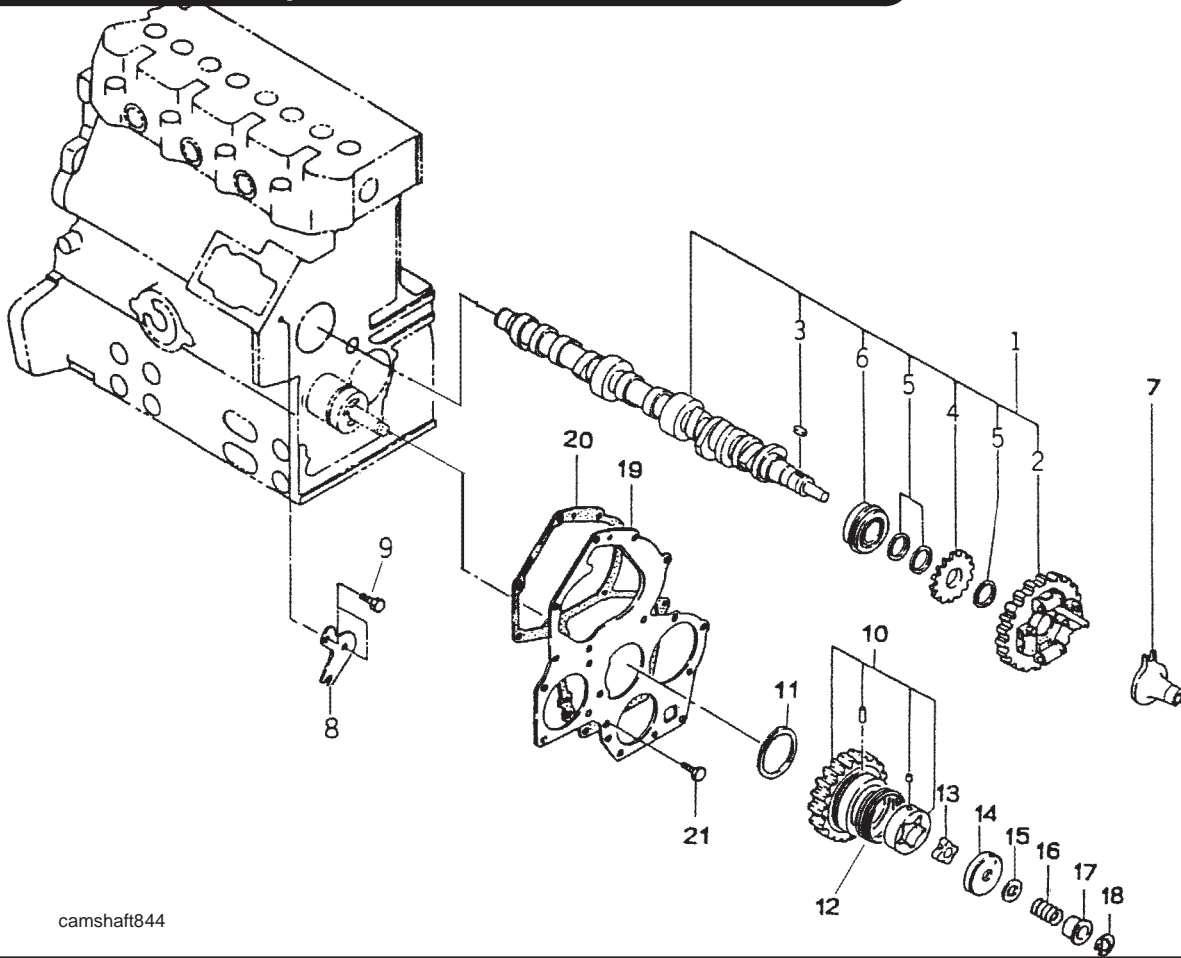


B-9826

KEY	PART NUMBER	QTY	DESCRIPTION	S/N
1	36-72012	1	Ball valve, Brass 90 Deg 1/4NPT Male X 1/4NPT Female	-
2	21-71203	1	Male Connector Brass 1/4NPT X 3/8HB Push-On	-
3	18-71207	1	Hose 3/8"ID X 7" Push-On	-
4	21-31624	1	Plug, Hex Head, Brass 1/4NPT	-
5	21-00612	1	Male Connector, Stl. 1/4NPT X 3/8-37T	-
6	21-71034	1	Female Swivel, Brass. 3/8HB X 3/8-37T Push-On	-

GROUP 1 – ENGINE

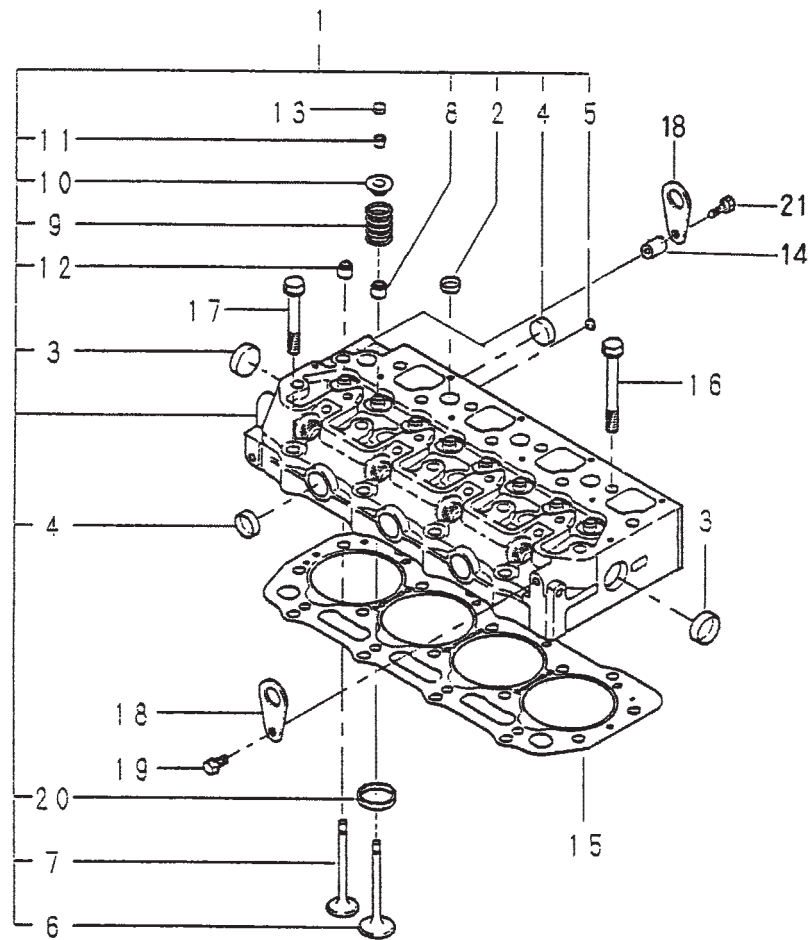
Camshaft & Oil Pump



camshaft844

KEY	PART NUMBER	QTY	DESCRIPTION	SERIAL NUMBER
1	120026320	1	Camshaft Assembly (includes keys #2 - 6)	-
2	120016050	1	Cam Gear	-
3	034100508	1	Key	-
4	120736081	1	Gear	-
5	199216230	3	Spacer	-
6	040109057	1	Bearing	-
7	125256120	1	Slider	-
8	199566750	1	Plate	-
9	011310612	2	Bolt	-
10	165026230	1	Idler Gear Assembly (includes key #12)	-
11	199266270	1	Thrust Washer	-
12	198217760	1	Spring	-
13	140166250	1	Rotor	-
14	140116220	1	Oil Pump Cover	-
15	199286150	1	Shim, t=0.10	-
	199286160	1	Shim, t=0.15	-
	199286170	1	Shim, t=0.20	-
	199286180	1	Shim, t=0.50	-
16	198216720	1	Spring	-
17	199236540	1	Collar	-
18	036800010	1	Snap Ring	-
19	165166640	1	Front Plate (844 & 844L Marine & Propulsion)	-
	165166630	1	Front Plate (844 & 844L Industrial)	-
	165166650	1	Front Plate (844L Commercial)	-
20	165996540	1	Gasket	-
21	011310612	2	Bolt	-

Cylinder Head 844

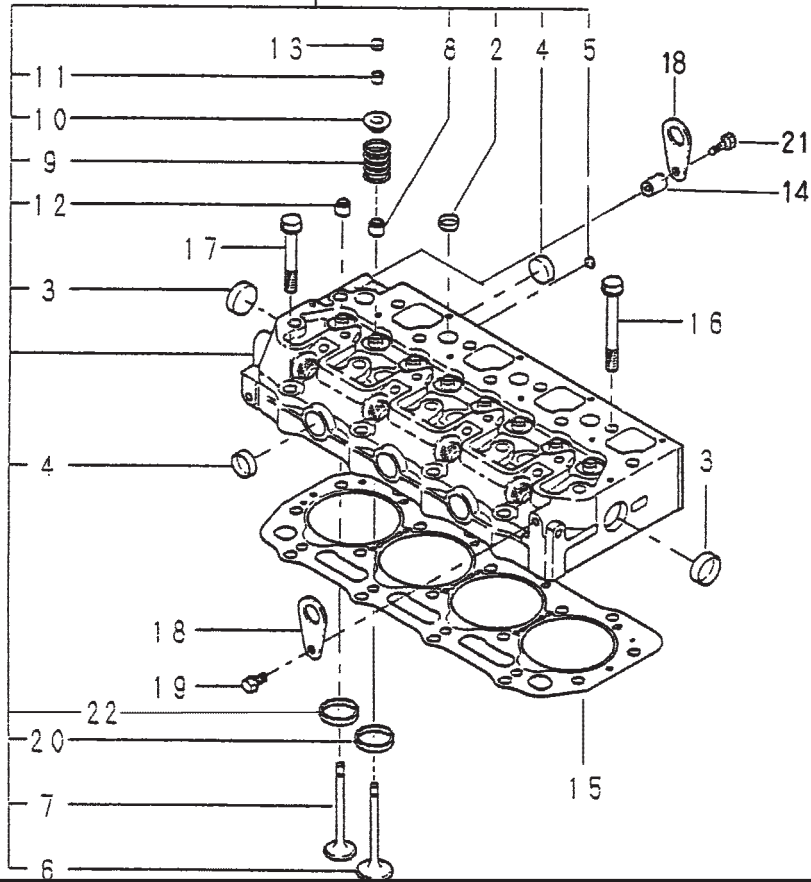


cylhead844

KEY	PART NUMBER	QTY	DESCRIPTION	SERIAL #
1	111011430	1	Cylinder Head Assembly (Marine & Propulsion, includes keys #2 -12, & 20)	-
	111011420	1	Cylinder Head Assembly (Industrial, includes keys #2-12, & 20)	-
2	064210018	7	Expansion Plug, 18 mm	-
3	064210030	2	Expansion Plug, 30 mm	-
4	064210025	6	Expansion Plug, 25 mm	-
5	064210010	3	Expansion Plug, 10 mm	-
6	120166380	4	Intake Valve (former # 120166350)	-
7	120176380	4	Exhaust Valve (former # 120176360)	-
8	120406070	4	Valve Guide Seal - Intake	-
9	198216700	8	Spring	-
10	120186080	8	Retainer	-
11	120226070	16	Keeper	-
12	120406050	4	Valve Guide Seal - Exhaust	-
13	120216041	8	Cap	-
14	199236680	1	Spacer (Marine)	-
15	111147510	1	Head Gasket; t = 1.2 mm	-
	111147520	1	Head Gasket; t = 1.3 mm	-
16	111136480	14	Head Bolt	-
17	111136490	4	Head Bolt	-
18	195816340	2	Lifting Eye (Marine & Propulsion)	-
	195816030	1	Lifting Eye (Industrial)	-
19	011510816	1	Bolt	-
20	110136400	4	Valve Seat, Intake	-
21	011510830	1	Bolt (Marine & Propulsion)	-

GROUP 1 – ENGINE

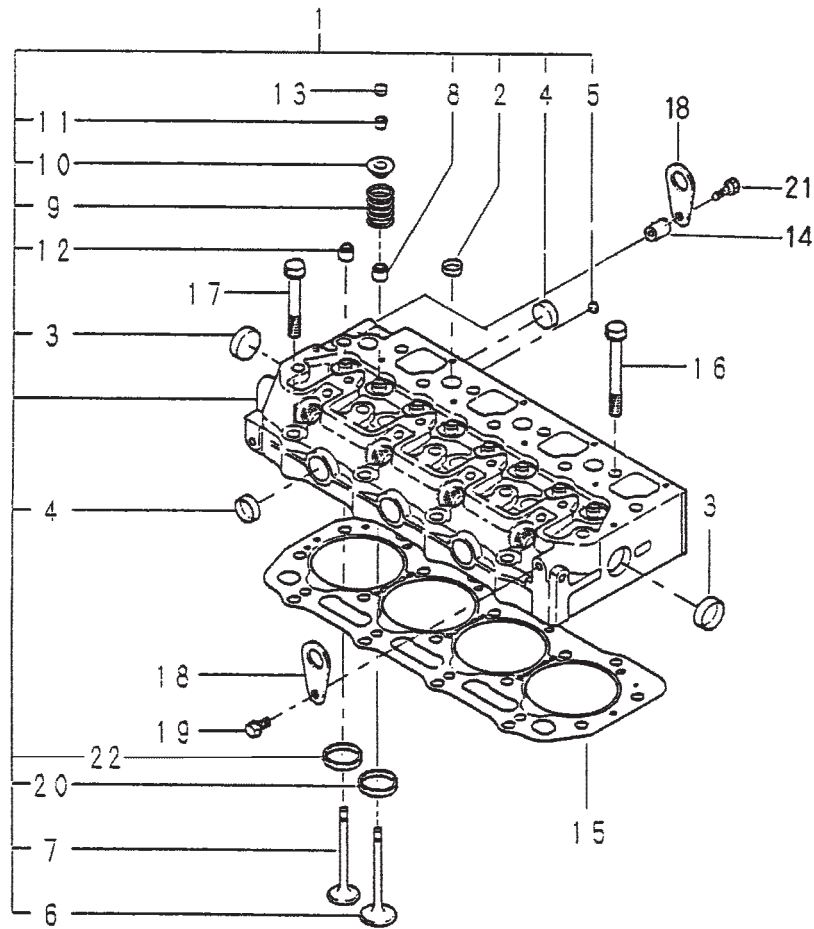
Cylinder Head 844L



cylhead844L

KEY	PART NUMBER	QTY	DESCRIPTION	SERIAL #
1	111011270	1	Cylinder Head Assembly (Marine, includes keys #2 -12, 20, & 22)	-
	111011290	1	Cylinder Head Assembly (Industrial, includes keys #2-12, 20, & 22)	-
2	064210018	7	Expansion Plug, 18 mm	-
3	064210030	2	Expansion Plug, 30 mm	-
4	064210025	6	Expansion Plug, 25 mm	-
5	064210010	3	Expansion Plug, 10 mm	-
6	120166380	4	Intake Valve (former # 120166350)	-
7	120176380	4	Exhaust Valve (former # 120176360)	-
8	120406070	4	Valve Guide Seal - Intake	-
9	198216700	8	Spring	-
10	120186080	8	Retainer	-
11	120226070	16	Keeper	-
12	120406050	4	Valve Guide Seal - Exhaust	-
13	120216041	8	Cap	-
14	199236680	1	Spacer (Marine)	-
15	111147751	1	Head Gasket; t = 1.1 mm	-
	111147761	1	Head Gasket; t = 1.2 mm	-
	111147771	1	Head Gasket; t = 1.3 mm	-
16	111136480	14	Head Bolt	-
17	111136490	4	Head Bolt	-
18	195816340	2	Lifting Eye (Marine)	-
	195816030	1	Lifting Eye (Industrial)	-
19	011510816	1	Bolt	-
20	110136400	4	Valve Seat, Intake	-
21	011510830	1	Bolt (Marine)	-
22	110136435	4	Valve Seat, Exhaust	-

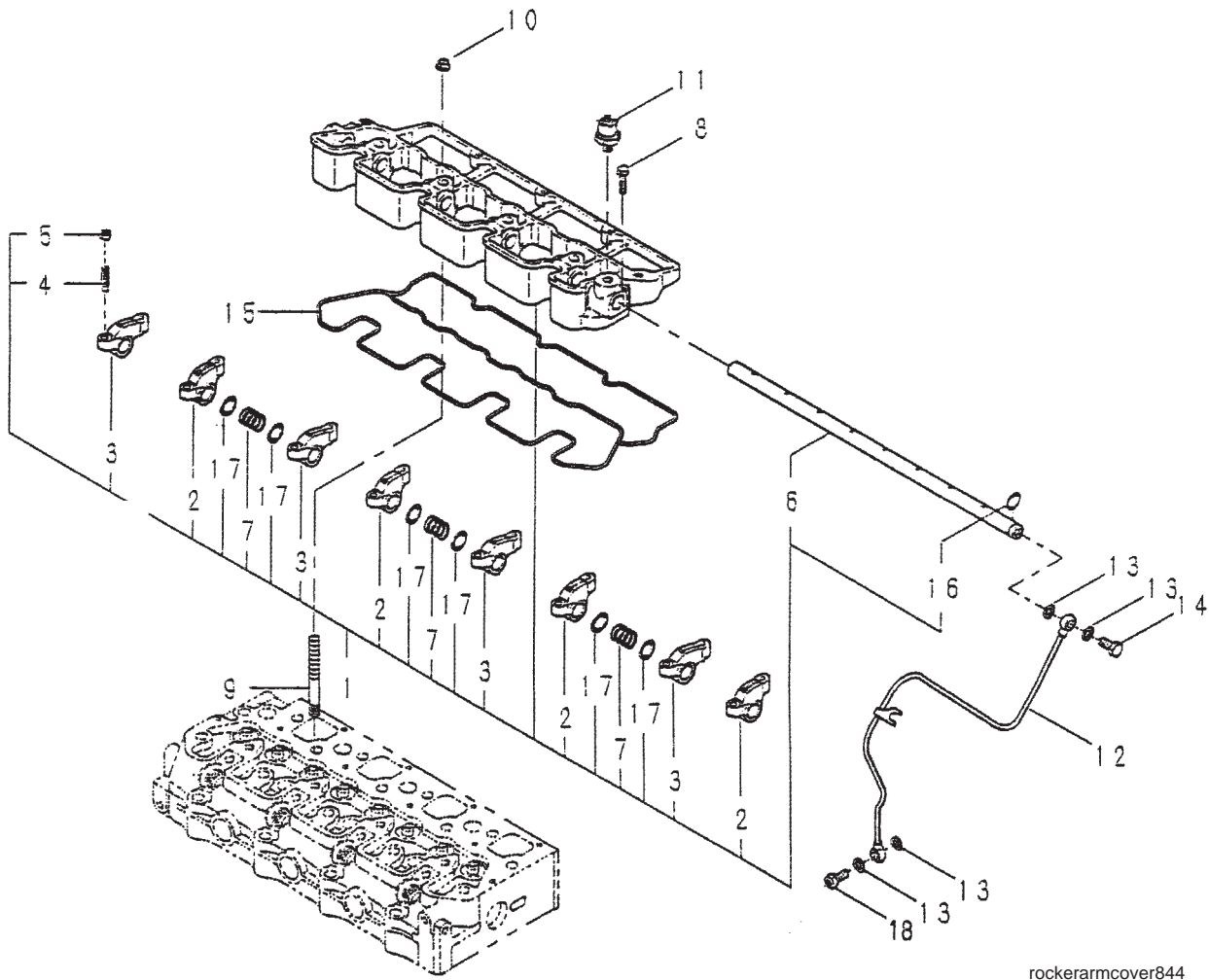
Cylinder Head M20CRW3



cylhead844L

KEY	PART NUMBER	QTY	DESCRIPTION	SERIAL #
1	111011520	1	Cylinder Head Assembly (Marine, includes keys #2 -12, 20, & 22)	-
2	064210018	7	Expansion Plug, 18 mm	-
3	064210030	2	Expansion Plug, 30 mm	-
4	064210025	6	Expansion Plug, 25 mm	-
5	064210010	3	Expansion Plug, 10 mm	-
6	120166380	4	Intake Valve (former # 120166350)	-
7	120176380	4	Exhaust Valve (former # 120176360)	-
8	120406070	4	Valve Guide Seal - Intake	-
9	198216700	8	Spring	-
10	120186080	8	Retainer	-
11	120226070	16	Keeper	-
12	120406050	4	Valve Guide Seal - Exhaust	-
13	120216041	8	Cap	-
15	111147751	1	Head Gasket; t = 1.1 mm	-
	111147761	1	Head Gasket; t = 1.2 mm	-
	111147771	1	Head Gasket; t = 1.3 mm	-
16	111136480	14	Head Bolt	-
17	111136490	4	Head Bolt	-
18	195816200	2	Lifting Eye	-
19	011510816	1	Bolt	-
20	110136400	4	Valve Seat, Intake	-
22	110136435	4	Valve Seat, Exhaust	-

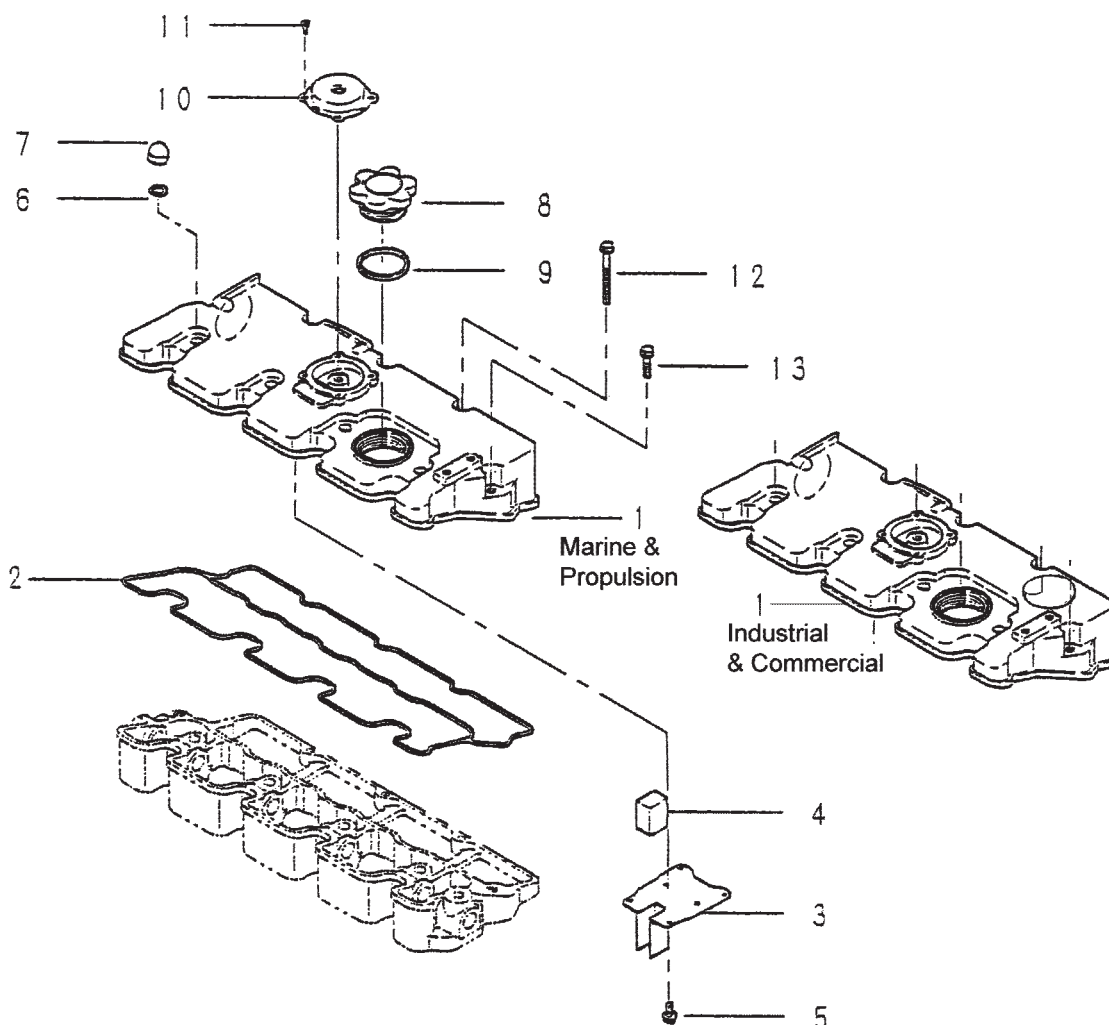
Rocker Arm Assembly



rockerarmcover844

KEY	PART NUMBER	QTY	DESCRIPTION	SERIAL NUMBER
1	120036950	1	Rocker Arm Assembly (Marine & Propulsion, includes keys 2-7, 16, & 17)	-
	120036960	1	Rocker Arm Assembly (Industrial, includes keys 2-7, 16, & 17)	-
	120036830	1	Rocker Arm Assembly (Commercial, includes keys 2-7, 16, & 17)	-
2	120356131	4	Rocker Arm - Intake	-
3	120356141	4	Rocker Arm - Exhaust	-
4	199486220	8	Screw	-
5	020109076	8	Nut	-
6	120316201	1	Rocker Arm Shaft	-
7	198217170	3	Spring	-
8	011310635	2	Bolt	-
9	012109044	4	Stud Bolt	-
10	023100010	4	Nut	-
11		1	Oil Pressure Switch (see Electrical)	-
12	140606720	1	Oil Pipe (844)	-
	140607020	1	Oil Pipe (844L & M20CRW3)	-
13	140996260	4	Gasket	-
14	198486780	1	Banjo Bolt	-
15	120996130	1	Gasket	-
16	052109076	1	O-ring	-
17	199280300	6	Shim	-
18	198487590	1	Banjo Bolt (tapped 1/8 NPT)	-

Rocker Arm Cover



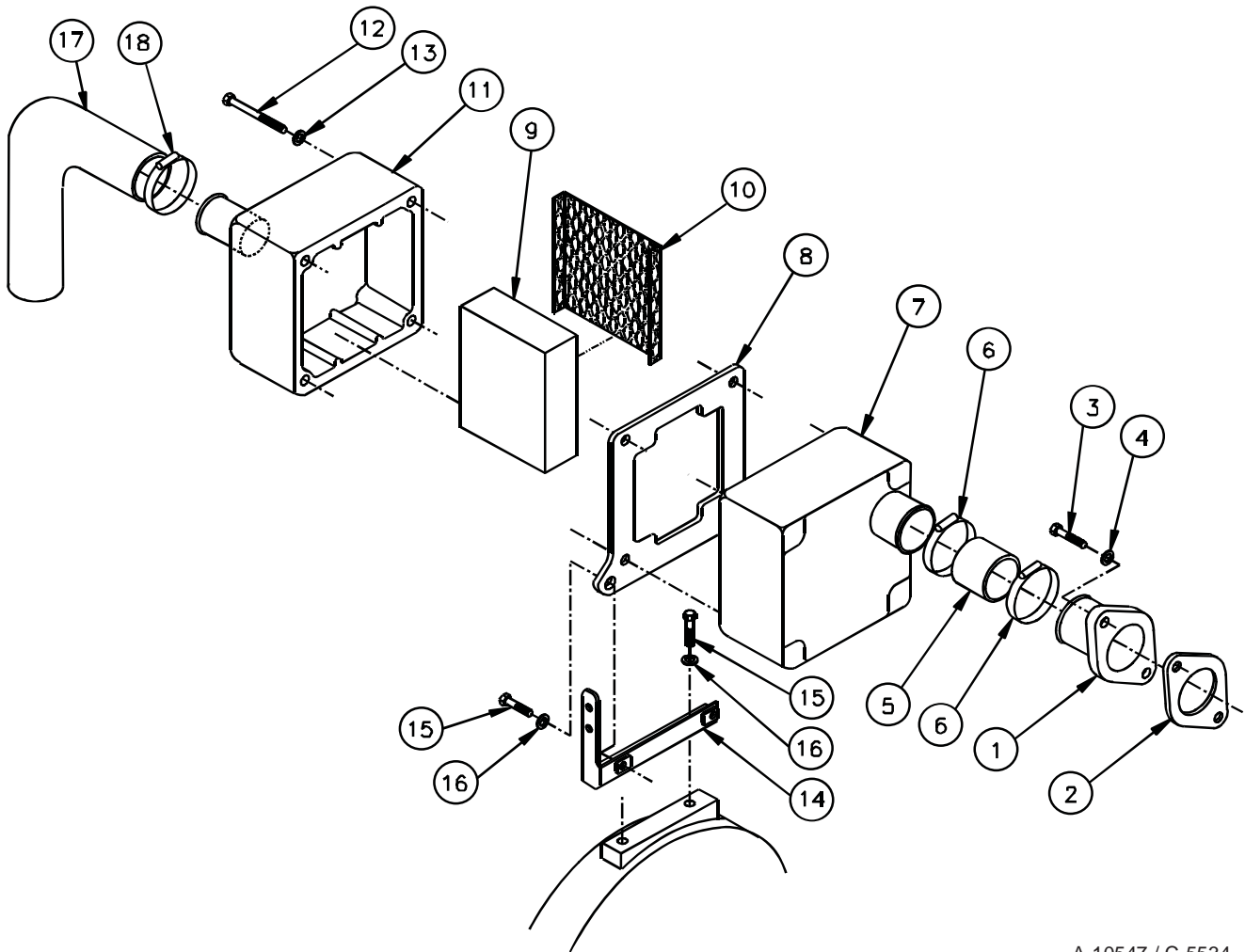
rockercover844

KEY	PART NUMBER	QTY	DESCRIPTION	SERIAL NUMBER
1	111217650	1	Rocker Arm Cover (844- 844L Marine & Propulsion)	-
	111217710	1	Rocker Arm Cover (844 - 844L Industrial)	-
	111217620	1	Rocker Arm Cover (844L Commercial)	-
2	111996401	1	Gasket	-
3	110666210	1	Baffle	-
4	110666060	1	Breather Element	-
5	015600406	6	Screw	-
6	140996270	4	Gasket	-
7	024600010	4	Cap Nut	-
8	198436010	1	Cap	-
9	052100400	1	O-ring	-
10	110566080	1	Valve, Breather	-
11	011100408	4	Bolt	-
12	011310660	3	Bolt	-
13	011310640	2	Bolt	-

GROUP 2 – INTAKE & EXHAUST SYSTEM

Air Filter and Housing

L844

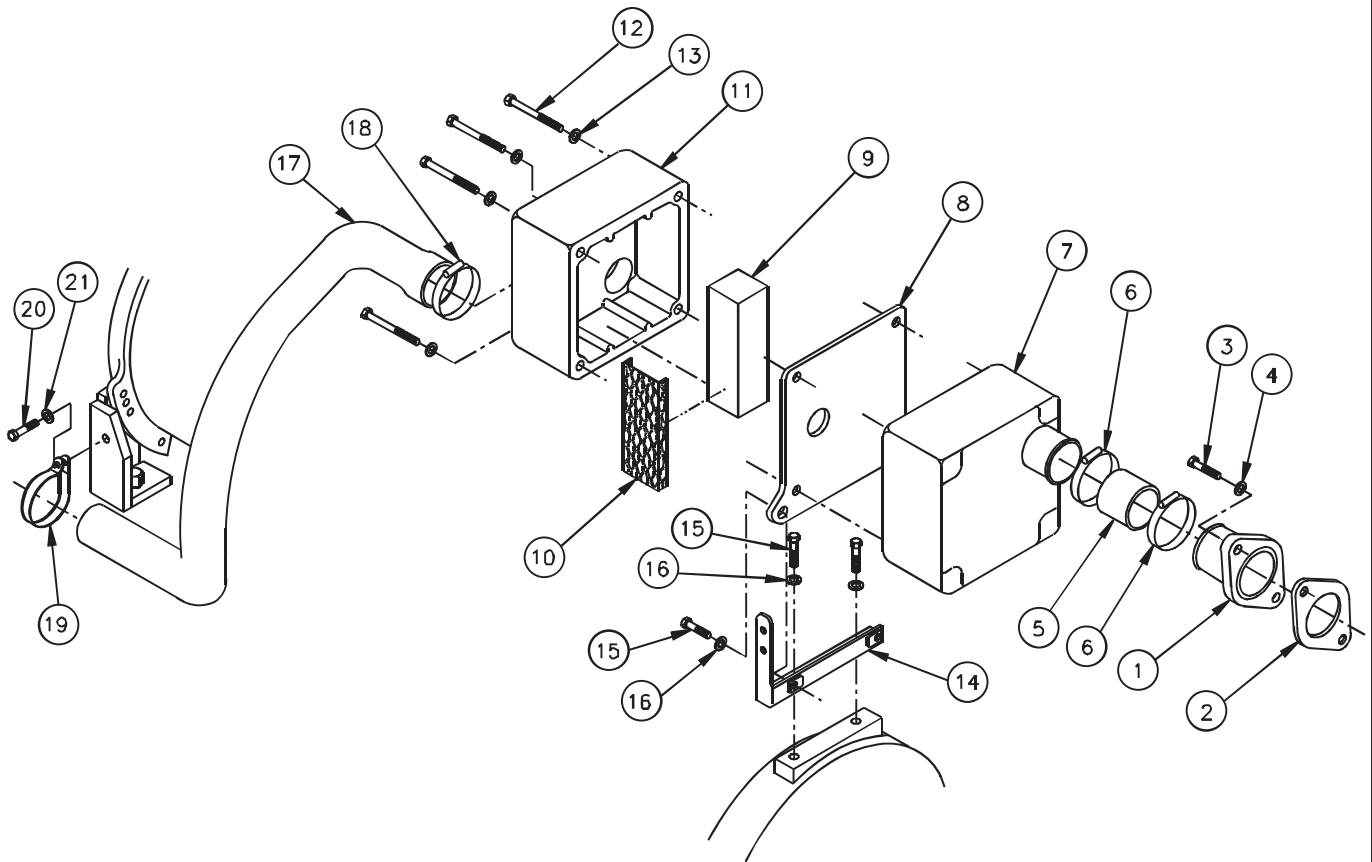


A-10547 / C-5534

KEY	PART NUMBER	QTY	DESCRIPTION	SERIAL NUMBER
1	10-28104	1	Connector, Air Inlet	-
2	135996950	1	Gasket, Air Intake Mounting	-
3	12-01131	2	Capscrew, Hex Head M6 x 1.0 x 20 mm	-
4	15-99131	2	Wave Washer M6 S/S	-
5	18-22002	1	Hose 1-3/4" ID x 2-1/4"	-
6	19-01028	2	Hose Clamp #28	-
7	10-28106	1	Front Cover, Air Filter Housing	-
8	28-28103	1	Plate, Housing Separater	-
9	24-28102	1	Element, Air Filter	-
10	24-28103	1	Screen, Air Filter Retaining	-
11	10-28103	1	Rear Cover, Air Filter Housing	-
12	12-09132	4	Capscrew, Hex Head M6 x 1.0 x 85 mm S/S	-
13	15-99131	4	Wave Washer M6 S/S	-
14	23-22001	1	Bracket, Air Filter Support	-
15	12-09751	4	Capscrew, Hex Head M8 x 1.25 x 16 mm S/S	-
16	15-99707	4	Wave Washer M8 S/S	-
17	18-28103	1	Hose, Air Intake	-
18	19-01028	1	Hose Clamp #28 Extended Band S/S	-

Air Filter and Housing

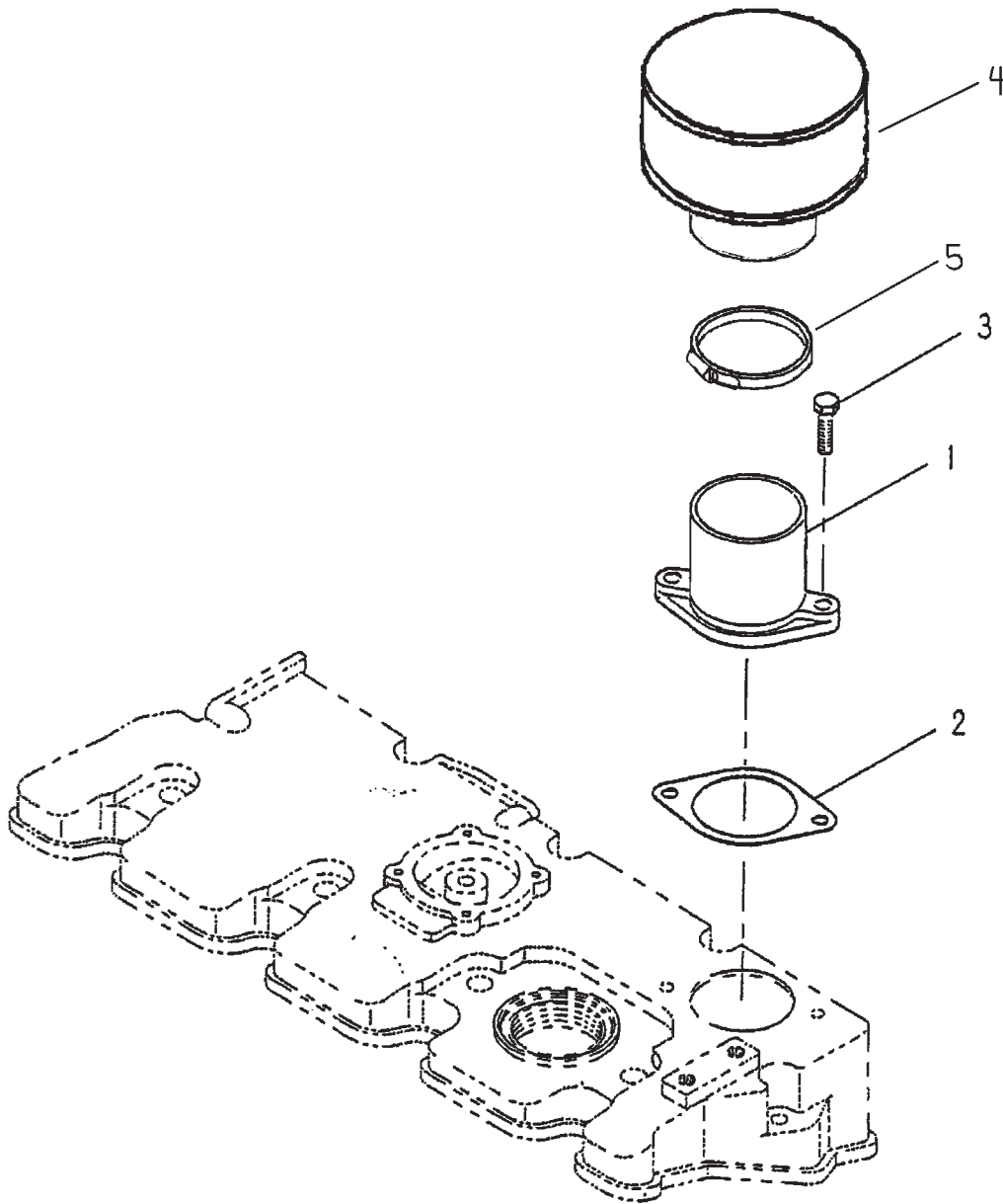
M844 & M844L



A-10262, A-10312 / C-5444

KEY	PART NUMBER	QTY	DESCRIPTION	SERIAL NUMBER
1	10-22004	1	Connector, Air Inlet	-
2	135996950	1	Gasket, Air Intake Mounting	-
3	12-01131	2	Capscrew, Hex Head M6 x 1.0 x 20 mm	-
4	15-99131	2	Wave Washer M6 S/S	-
5	18-22002	1	Hose 1-3/4" ID x 2-1/4"	-
6	19-01028	2	Hose Clamp #28	-
7	10-22006	1	Front Cover, Air Filter Housing	-
8	28-22001	1	Plate, Air Filter Baffle (844)	-
	28-28401	1	Plate, Air Filter Baffle (844L)	-
9	24-22009	1	Element, Air Filter	-
10	24-22011	1	Screen, Air Filter Retaining	-
11	10-22003	1	Rear Cover, Air Filter Housing	-
12	12-09132	4	Capscrew, Hex Head M6 x 1.0 x 85 mm S/S	-
13	15-99131	4	Wave Washer M6 S/S	-
14	23-22001	1	Bracket, Air Filter Support	-
15	12-09751	4	Capscrew, Hex Head M8 x 1.25 x 16 mm S/S	-
16	15-99707	4	Wave Washer M8 S/S	-
17	18-22001	1	Hose, Air Intake (Molded)	-
18	19-01028	1	Hose Clamp #28	-
19	19-70028	1	Cushion Clamp #28	-
20	12-01102	1	Capscrew, Hex Head M6 x 1.0 x 16 mm S/S	-
21	15-01134	1	Flat Washer, M6 S/S	-

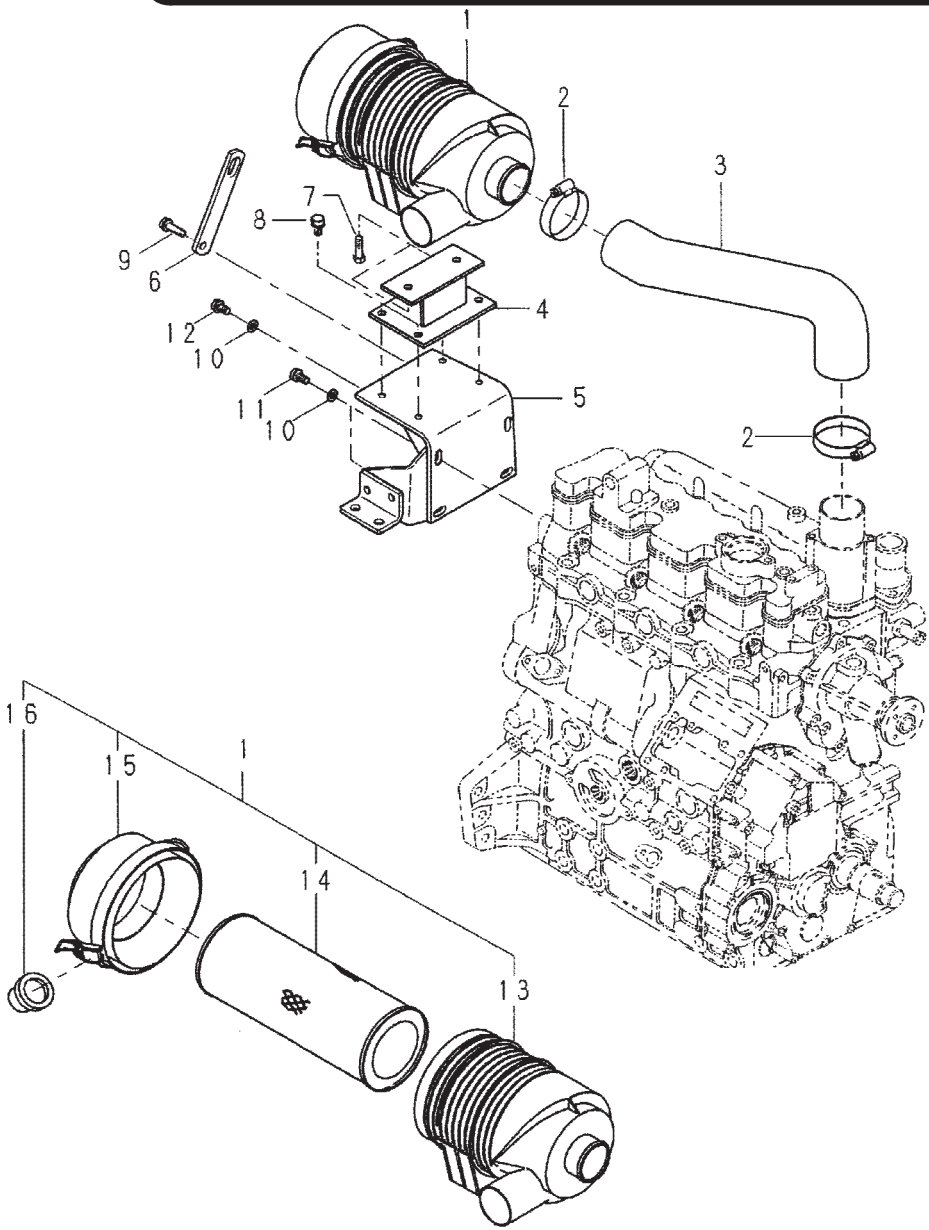
Air Intake & Filter M20CRW3, NL844, & NL844L



844K2airintake

KEY	PART NUMBER	QTY	DESCRIPTION	SERIAL NUMBER
1	135566550	1	Intake Manifold (NL844, NL844L)	-
	135566470	1	Intake Manifold (M20CRW3)	-
2	135996950	1	Gasket	-
3	011310620	2	Bolt	-
4	24-28401	1	Air Filter (M20CRW3)	-
5	19-00036	1	Hose Clamp	-

Air Filter & Mounting NL844 & 844L



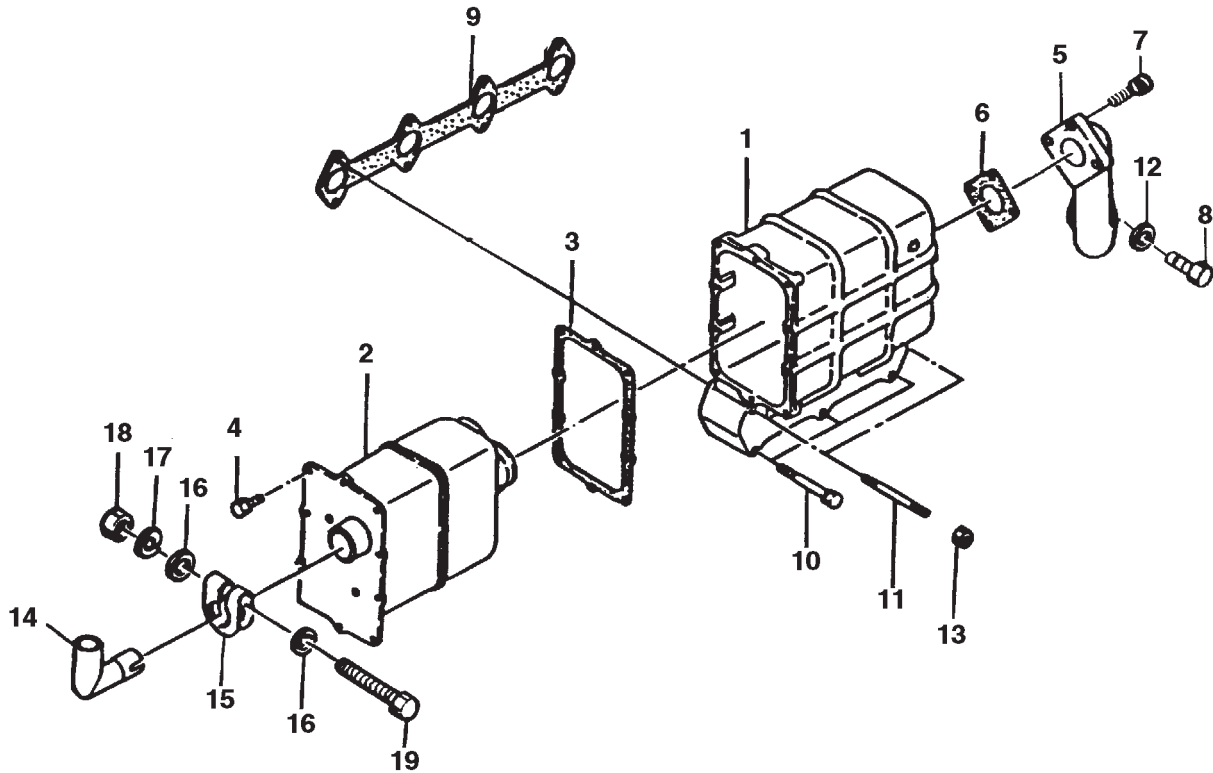
844aircleaner

KEY	PART NUMBER	QTY	DESCRIPTION	SERIAL NUMBER
1	135016300	1	Air Cleaner Assembly (includes keys #13-16)	-
2	19-00036	2	Hose Clamp #36	-
3	135597830	1	Hose	-
4	135976600	1	Bracket	-
5	135976420	1	Bracket	-
6	195816100	1	Lifting Eye	-
7	011510820	2	Bolt	-
8	011510816	4	Bolt	-
9	011510825	1	Bolt	-
10	026100008	3	Washer	-
11	011510825	2	Bolt	-
12	011510820	1	Bolt	-
13	135326197	1	Housing	-
14	24-27302	1	Element	-
15	135326199	1	Cover Assembly	-
16	314531163	1	Valve	-

GROUP 2 – INTAKE & EXHAUST SYSTEM

Exhaust Manifold & Muffler

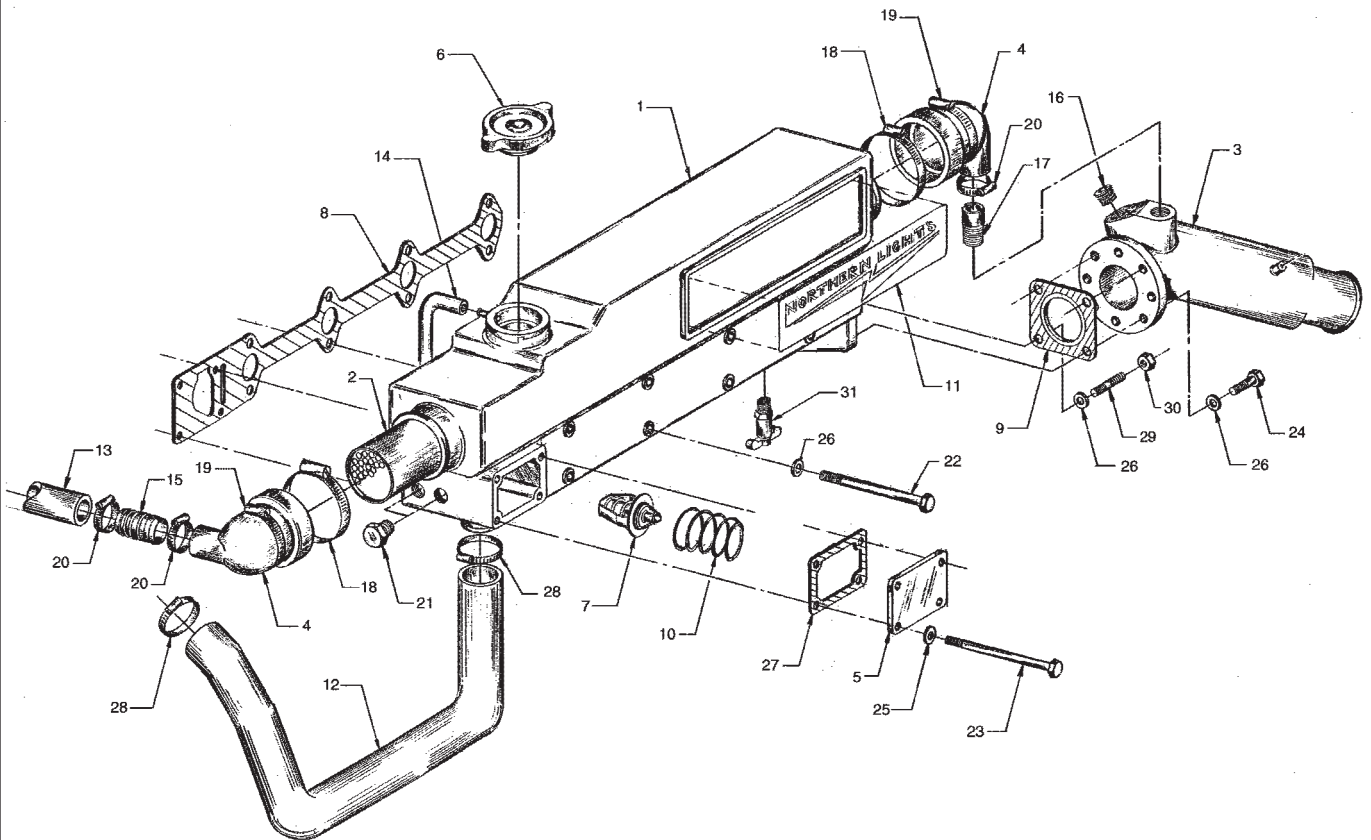
Industrial



KEY	PART NUMBER	QTY	DESCRIPTION	SERIAL NUMBER
••	135046320	1	Muffler Assembly (includes keys #1- 4)	-
1	135617500	1	Exhaust Manifold	-
2	135406230	1	Muffler Element	-
3	135996900	1	Gasket	-
4	011300612	10	Capscrew, Hex Head with Washer M6 x 1.0 x 12 mm	-
5	135656140	1	Exhaust Pipe	-
6	135996550	1	Gasket	-
7	011310625	3	Capscrew, Hex Head with Washer M6 x 1.0 x 25 mm	-
8	12-00056	2	Capscrew, Socket Head M8 x 1.25 x 25	-
9	135996780	1	Gasket	-
10	12-34801	**	Capscrew, Hex Head M8 x 1.25 x 70 mm	-
11	012100875	**	Stud M8 x 1.25 x 75 mm	-
12	15-00704	2	Lock Washer, Hi-Collar M8	-
13	14-00711	**	Hex Nut M8 x 1.25	-
14	27-33103	1	Exhaust Elbow 1-1/2 NPT, Female	-
	135606340	1	Exhaust Elbow, Plain	-
15	314410020	1	Clamp	-
16	15-00701	2	Flat Washer M8	-
17	15-00702	1	Lock Washer M8	-
18	14-00711	1	Hex Nut M8 x 1.25	-
19	12-00718	1	Capscrew, Hex Head M8 x 1.25 x 65 mm	-

**As required

Heat Exchanger & Exhaust Manifold



A-6256, A-6509 / D-2415

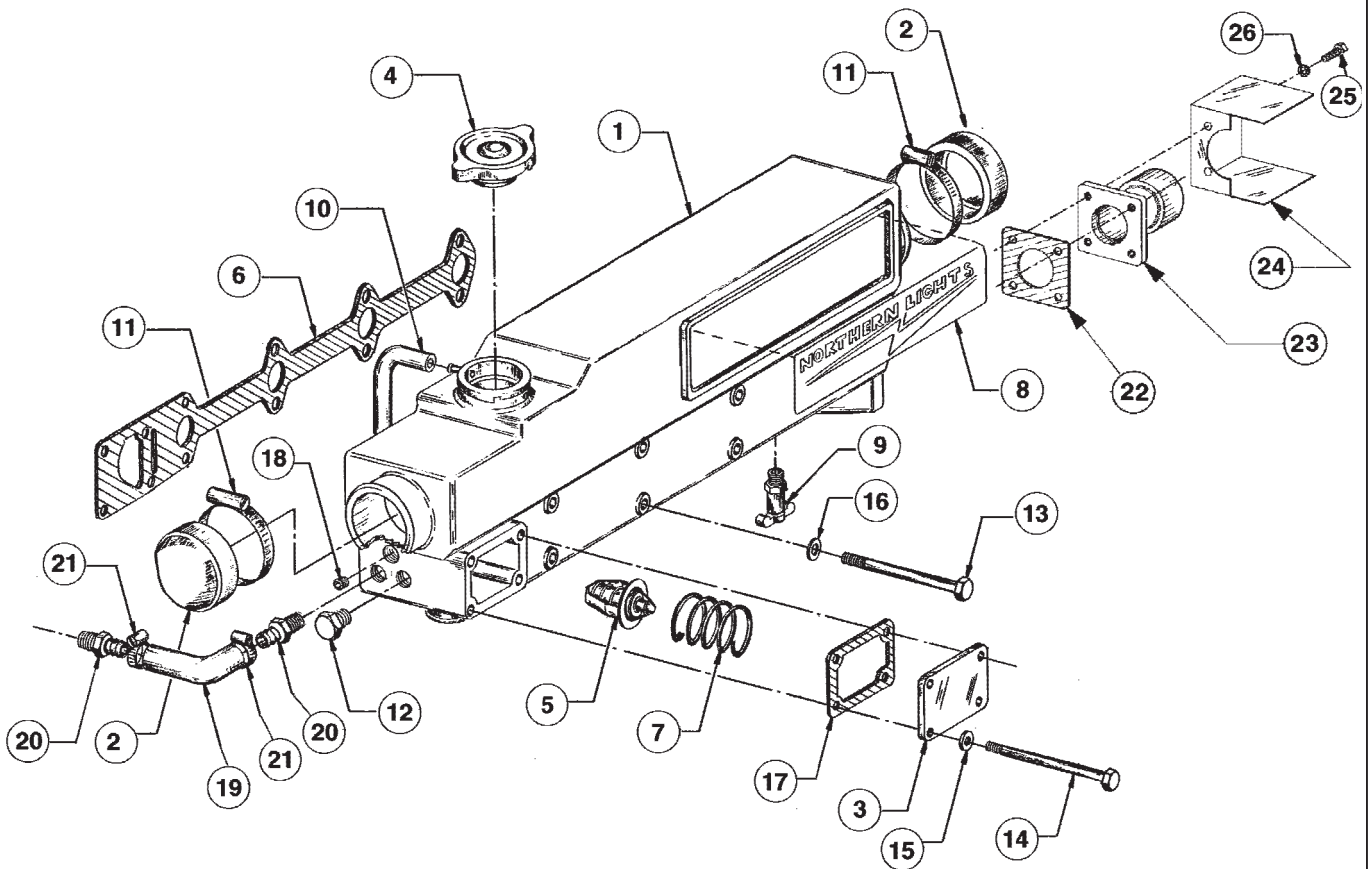
Heat Exchanger & Exhaust Manifold

KEY	PART NUMBER	QTY	DESCRIPTION	SERIAL NUMBER
1	10-38101	1	Exhaust Manifold/Expansion Tank	-
2	20-18101	1	Heat Exchanger Element	-
3	27-32003	1	Wet Exhaust Elbow (stainless steel)	-
	135616233	1	Wet Exhaust Elbow (cast iron)	-
4	145536370	2	End Cap	-
5	28-13101	1	Cover Plate	-
6	21-12007	1	Filler Cap (7 PSI)	-
7	145206022	1	Thermostat (82° C)	-
8	11-38101	1	Gasket	-
9	11-31902	1	Gasket (can use #314990030)	-
10	00-13101	1	Spring	-
11	00-71001	1	Nameplate, "Northern Lights"	-
	00-71000	1	Nameplate, "Lugger" (L844 only)	-
12	18-13107	1	Hose	-
13	18-13108	1	Hose 3/4" ID x 18-1/2"	-
14	18-13109	1	Hose 5/16" ID x 25"	-
15	21-13102	1	Union 3/4 Hose Barb x 3/4 Hose Barb	-
16	198436140	1	Plug, Socket Head 1/2 NPT	-
17	145986150	1	Connector, Male 1/2 BSPT x 3/4 Hose Barb	-
18	19-00048	2	Hose Clamp #48	-
19	19-00040	2	Hose Clamp #40	-
20	19-00012	3	Hose Clamp #12	-
21	21-31003	**	Hex Head Plug 3/8 NPT	-
22	12-09701	8	Capscrew, Hex Head M8 x 1.25 x 110 mm S/S	-
23	12-09138	4	Capscrew, Hex Head M6 x 1.0 x 110 mm S/S	-
24	12-09712	3	Capscrew, Hex Head M8 x 1.25 x 25 mm S/S	-
25	15-01134	4	Flat Washer M6 S/S	-
26	15-00706	12	Flat Washer M8 S/S	-
27	11-13101	1	Gasket	-
28	19-00024	2	Hose Clamp #24	-
29	13-09710	1	Stud M8 x 1.25 x 20 x 25 mm (35 mm OAL) S/S	-
30	14-09711	1	Hex Nut M8 x 1.25 S/S	-
31	21-10002	1	Drain Cock 1/4 NPT	-

**As required

Expansion Tank & Exhaust Manifold M844 - M844L - M20CRW

Keel Cooled Applications

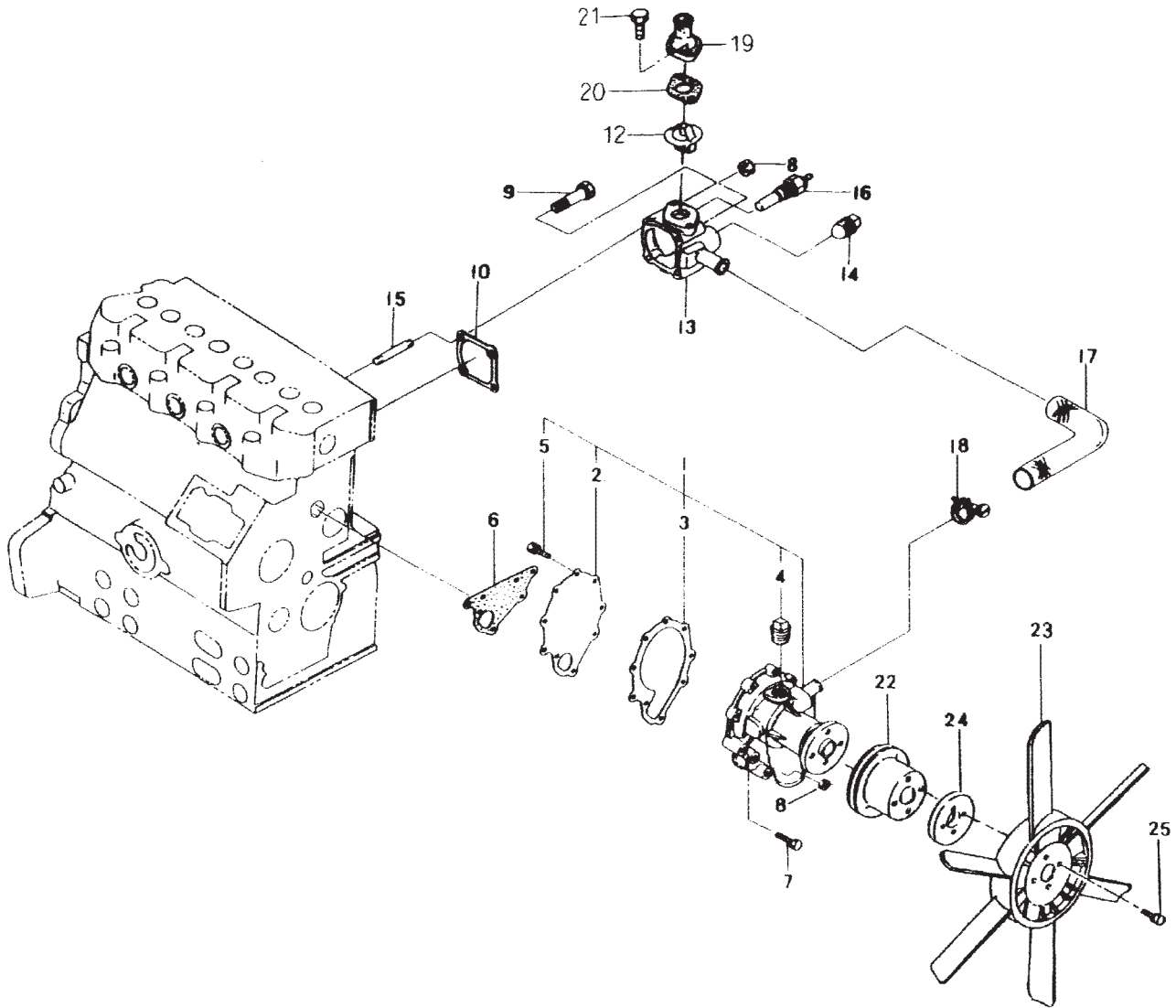


A-6420, A-6510 / D-2460

Expansion Tank & Exhaust Manifold M844 - M844L - M20CRW**Keel Cooled Applications**

KEY	PART NUMBER	QTY	DESCRIPTION	SERIAL NUMBER
1	10-38101	1	Exhaust Manifold/Expansion Tank	-
2	20-12019	2	End Cap	-
3	28-13101	1	Cover Plate	-
4	21-12007	1	Filler Cap (7 PSI)	-
5	145206022	1	Thermostat (82° C)	-
6	11-38101	1	Gasket	-
7	00-13101	1	Spring	-
8	00-71001	1	Decal, "Northern Lights"	-
9	21-10002	1	Drain Cock 1/4 NPT	-
10	18-13109	1	Hose, Overflow 5/16" ID x 25"	-
11	19-02044	2	Hose Clamp #44	-
12	21-31003	1	Plug, Hex Head 3/8 NPT	-
13	12-09701	8	Capscrew, Hex Head M8 x 1.25 x 110 mm	-
14	12-09138	4	Capscrew, Hex Head M6 x 1.0 x 110 mm	-
15	15-01134	4	Flat Washer M6	-
16	15-00706	8	Flat Washer M8	-
17	11-13101	1	Gasket	-
18	21-51900	1	Plug, Socket Head 1/8 NPT	-
19	145536050	1	Hose	-
20	21-12205	2	Male Connector 3/8 NPT x 1/2 HB	-
21	19-00006	2	Hose Clamp #6	-
22	11-31902	1	Gasket	-
23	27-31921	1	Adapter, Dry Exhaust Straight 1-1/2 NPT (M20CRW only)	-
	27-32007	1	Elbow, Dry Exhaust	-
24	00-12000	1	Heat Shield (used with Straight Adapter - M20CW only)	-
	00-32008	1	Lagging (used with Dry Elbow)	-
25	12-09712	4	Capscrew, Hex Head M8 x 1.25 x 25mm S/S	-
26	15-00705	4	Lock Washer M8 S/S	-

Coolant Pump – Industrial Applications NL844 & 844L



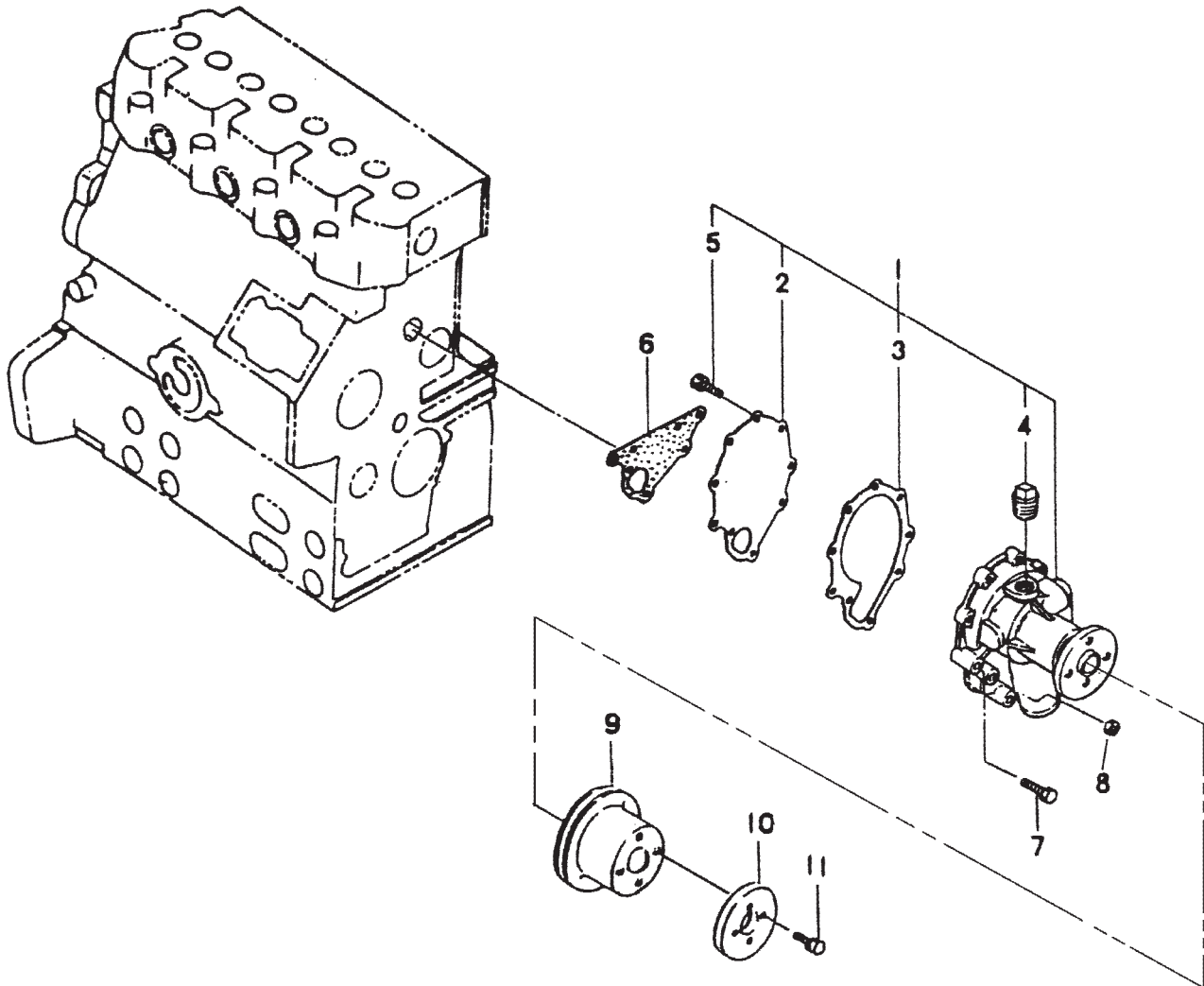
P844waterpump

Coolant Pump – Industrial Applications NL844 & 844L

KEY	PART NUMBER	QTY	DESCRIPTION	SERIAL NUMBER
1	145017780	1	Coolant Pump Assembly (includes keys #2 - 5)	-
2	145146320	1	Backing Plate	-
3	145996681	1	Gasket	-
4	064500030	**	Plug	-
5	015300614	5	Screw	-
6	145996670	1	Gasket	-
7	011300635	4	Bolt	-
8	023100006	3	Nut	-
9	011300645	2	Bolt	-
10	145996710	1	Gasket	-
12	145206182	1	Thermostat 180°F/ 82°C	-
13	145216390	1	Thermostat Housing	-
14	064500030	1	Plug	-
15	012100645	2	Stud M6 x 1.0 x 45 mm	-
16	385720101	1	Temperature Switch (221°F/ 105°C)	-
17	145536051	1	Hose	-
18	19-00006	2	Hose Clamp #6	-
19	145226330	1	Thermostat Cover	-
20	145996051	1	Gasket	-
21	011500820	2	Bolt	-
22	145336620	1	Pulley	-
23	145306550	1	Cooling Fan	-
24	145386920	1	Spacer	-
25	011310635	4	Bolt, M6 x 1.0 x 35 mm	-

**As required

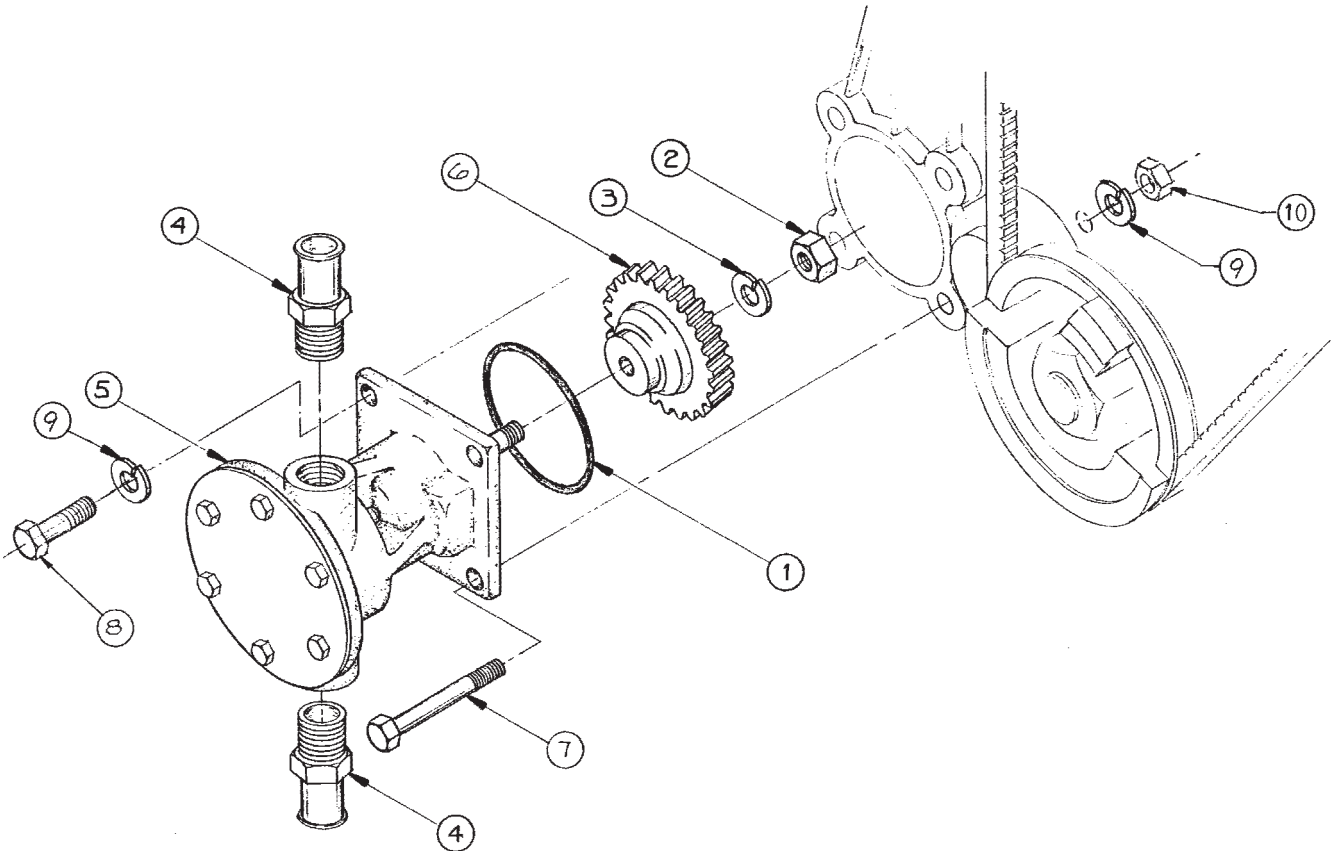
Coolant Pump, Marine & Commercial



coolantpump844

KEY	PART NUMBER	QTY	DESCRIPTION	SERIAL NUMBER
1	145017800	1	Coolant Pump Assembly (Marine)	-
	145017820	1	Coolant Pump Assembly (Commercial)	-
2	145146320	1	Backing Plate	-
3	145996681	1	Gasket	-
4	064500030	**	Plug	-
5	015300614	3	Screw	-
6	145996670	1	Gasket	-
7	011310635	4	Bolt	-
8	023100006	1	Nut	-
9	145336620	1	Pulley	-
10	145386390	1	Spacer	-
11	011310620	4	Bolt	-
			**As required.	

Raw Water Pump & Mounting – All Marine Applications

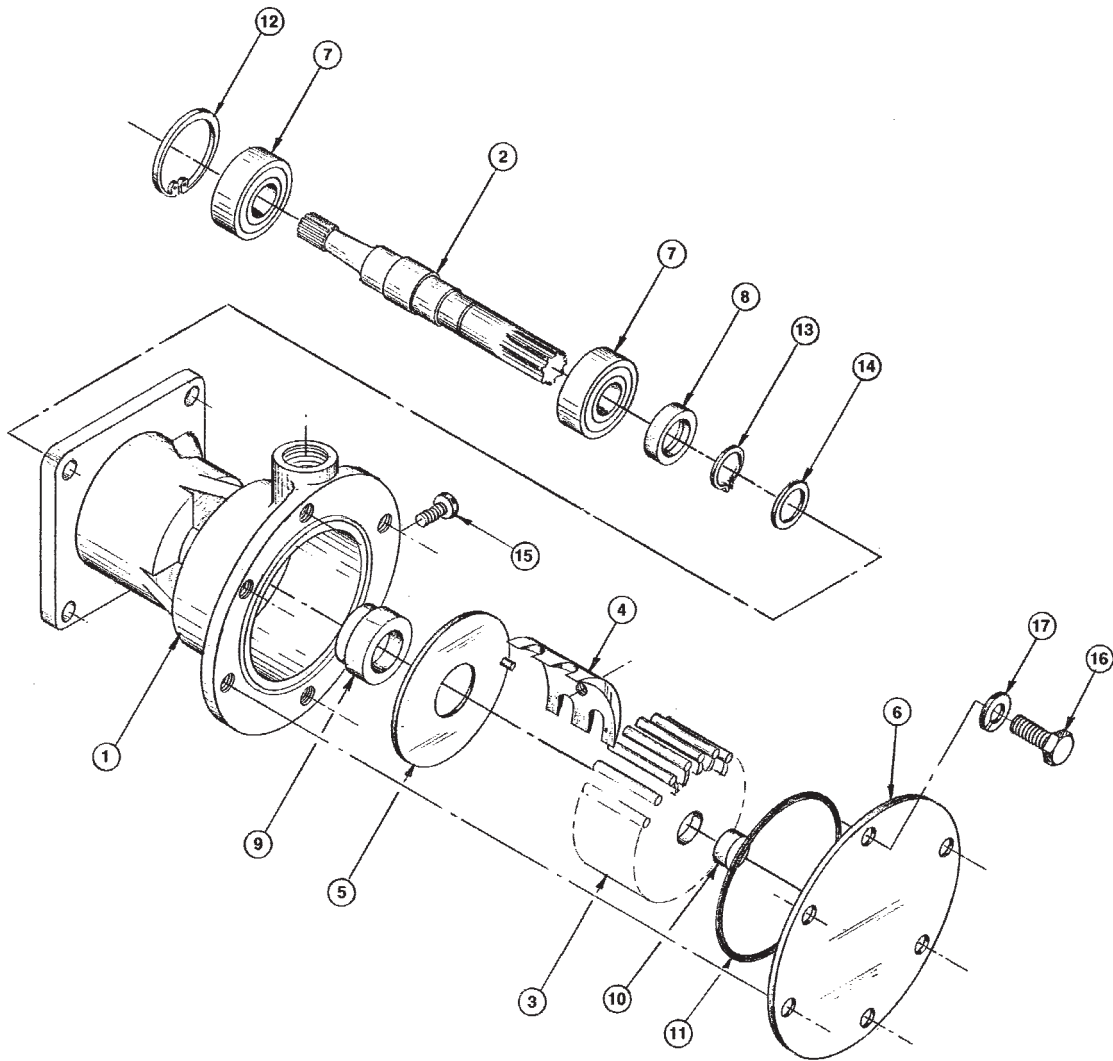


A-4779 / B-3842

KEY	PART NUMBER	QTY	DESCRIPTION	SERIAL NUMBER
1	16-13101	1	O-ring	-
2	14-00811	1	Nut M10 x 1.5	-
3	15-00802	1	Lock Washer M10	-
4	21-00129	2	Fitting 1/2 NPT x 3/4 HB	-
5	25-12057	1	Raw Water Pump (see parts detail)	-
6	340460141	1	Drive Gear	-
7	12-00718	3	Capscrew, Hex Head M8 x 1.25 x 65 mm	-
8	12-00717	1	Capscrew, Hex Head M8 x 1.25 x 60 mm	-
9	15-00702	4	Lock Washer, Helical M8	-
10	14-00711	3	Hex Nut M8 x 1.25	-

GROUP 3 – COOLING SYSTEM

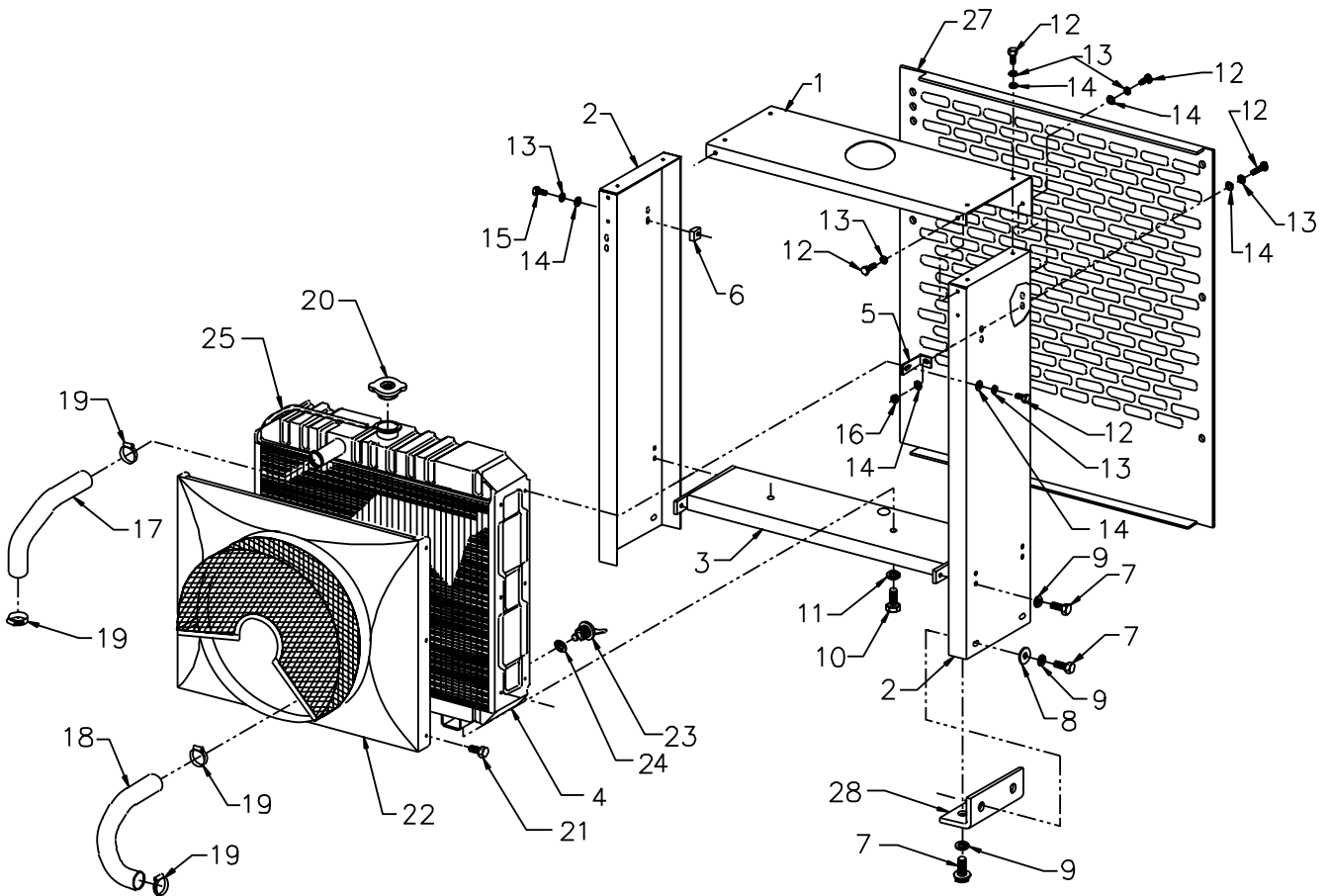
Raw Water Pump Assembly



A-3706 / C-2204

KEY	PART NUMBER	QTY	DESCRIPTION	SERIAL NUMBER
••	25-12057	1	Raw Water Pump Assembly (includes keys #1 - 17)	-
•	25-12004	1	Repair Kit (includes keys #3 - 9 & 11)	-
1	25-12058	1	Housing	-
2	25-12059	1	Shaft	-
3	25-12060	1	Impeller	-
4	25-12061	1	Cam	-
5	25-12062	1	Wear Plate	-
6	25-12063	1	End Cover	-
7	25-12064	1	Bearing	-
8	25-12065	1	Lip Seal	-
9	25-12066	1	Mechanical Seal	-
10	25-12017	1	Spline Seal	-
11	25-12067	1	O-ring	-
12	25-12068	1	Retaining Ring	-
13	25-12069	1	Retaining Ring	-
14	25-12070	1	Washer	-
15	25-12071	1	Pan Head Screw #10-32 x 3/8"	-
16	25-12072	6	Hex Head Screw #10-32 x 3/8"	-
17	25-12073	6	Lock Washer #10	-

Radiator & Guard –Aluminum NL844 & 844L

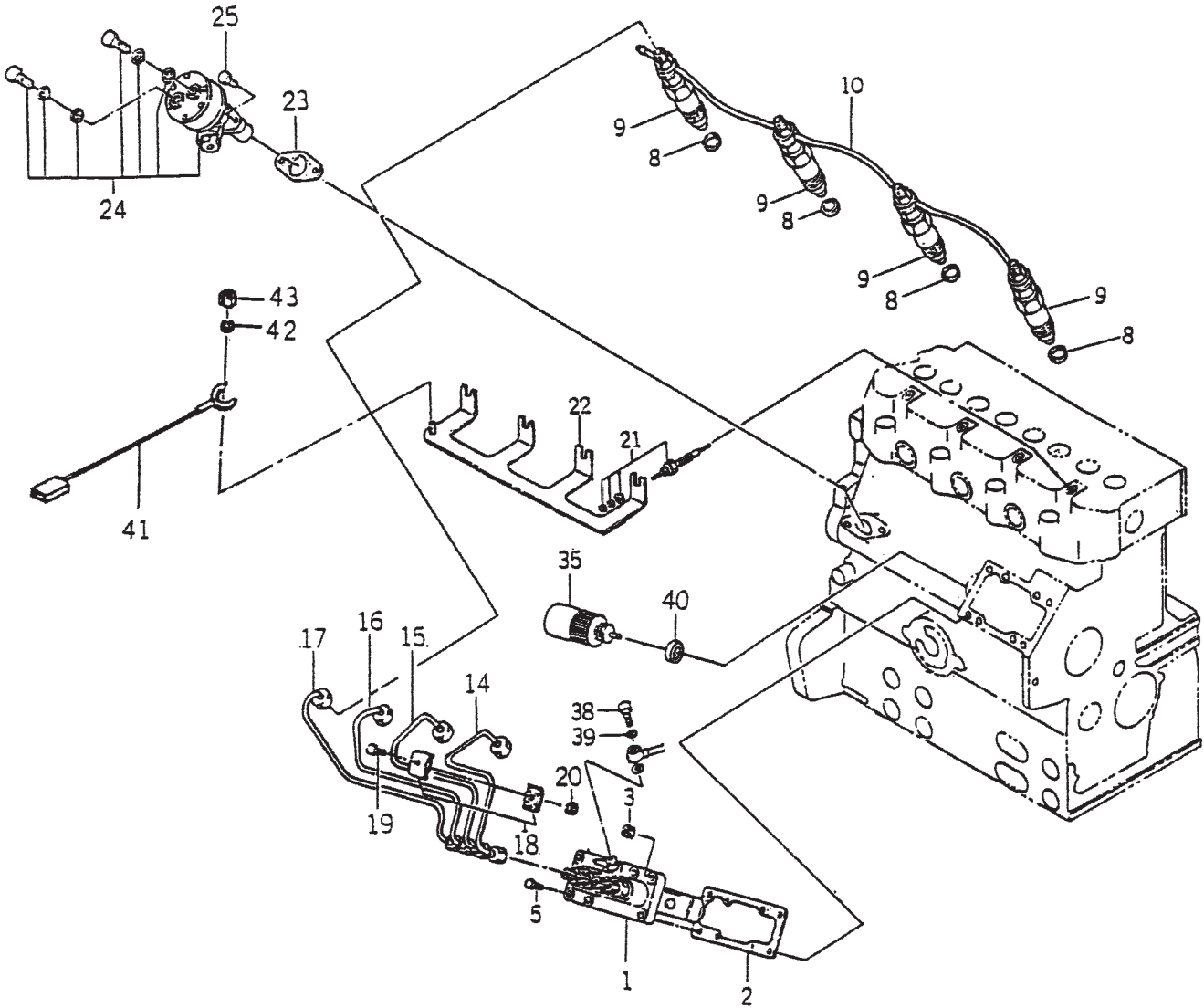


A-6306 / D-2457B

Radiator & Guard –Aluminum NL844 & 844L

KEY	PART NUMBER	QTY	DESCRIPTION	SERIAL NUMBER
1	39-18103	1	Top Panel	-
2	39-18102	2	Side Panel	-
3	39-18104	1	Radiator Support	-
4	145506630	1	Radiator Assembly, Aluminum (includes keys #20- 26)	-
	20-12021	1	Radiator Assembly (Heresite Coated)	-
5	23-18101	1	Bracket, Upper Radiator Support	-
6	21-18101	1	Spacer, Radiator Support	-
7	12-00711	12	Capscrew, Hex Head M8 x 1.25 x 20 mm	-
8	15-00701	8	Flat Washer M8	-
9	15-00702	12	Lock Washer M8	-
10	12-00805	2	Capscrew, Hex Head M10 x 1.5 x 20 mm	-
11	15-00802	2	Lock Washer M10	-
12	12-00030	15	Capscrew, Hex Head M6 x 1.0 x 16 mm	-
13	15-01132	16	Lock Washer M6	-
14	15-00008	15	Flat Washer M6	-
15	12-01131	1	Capscrew, Hex Head M6 x 1.0 x 20 mm	-
16	14-04803	1	Hex Nut M6 x 1.0	-
17	145537260	1	Hose, Radiator Inlet	-
18	145537270	1	Hose, Radiator Outlet	-
19	19-00020	4	Hose Clamp #20	-
20	310110200	1	Radiator Cap	-
21	011150610	6	Bolt	-
22	145546880	1	Shroud with Fan Guard	-
23	21-12016	1	Drain Cock	-
24	310190477	1	O-ring	-
25	18-11906	1	Hose	-
26	00-70079	1	Label "Northern Lights" (not shown)	-
27	39-18106	**	Grille	-
	31-18101	**	Air Duct Adapter (optional - not shown)	-
28	23-18402	2	Bracket, Radiator Mounting	-
			** As required	

General Arrangement L844

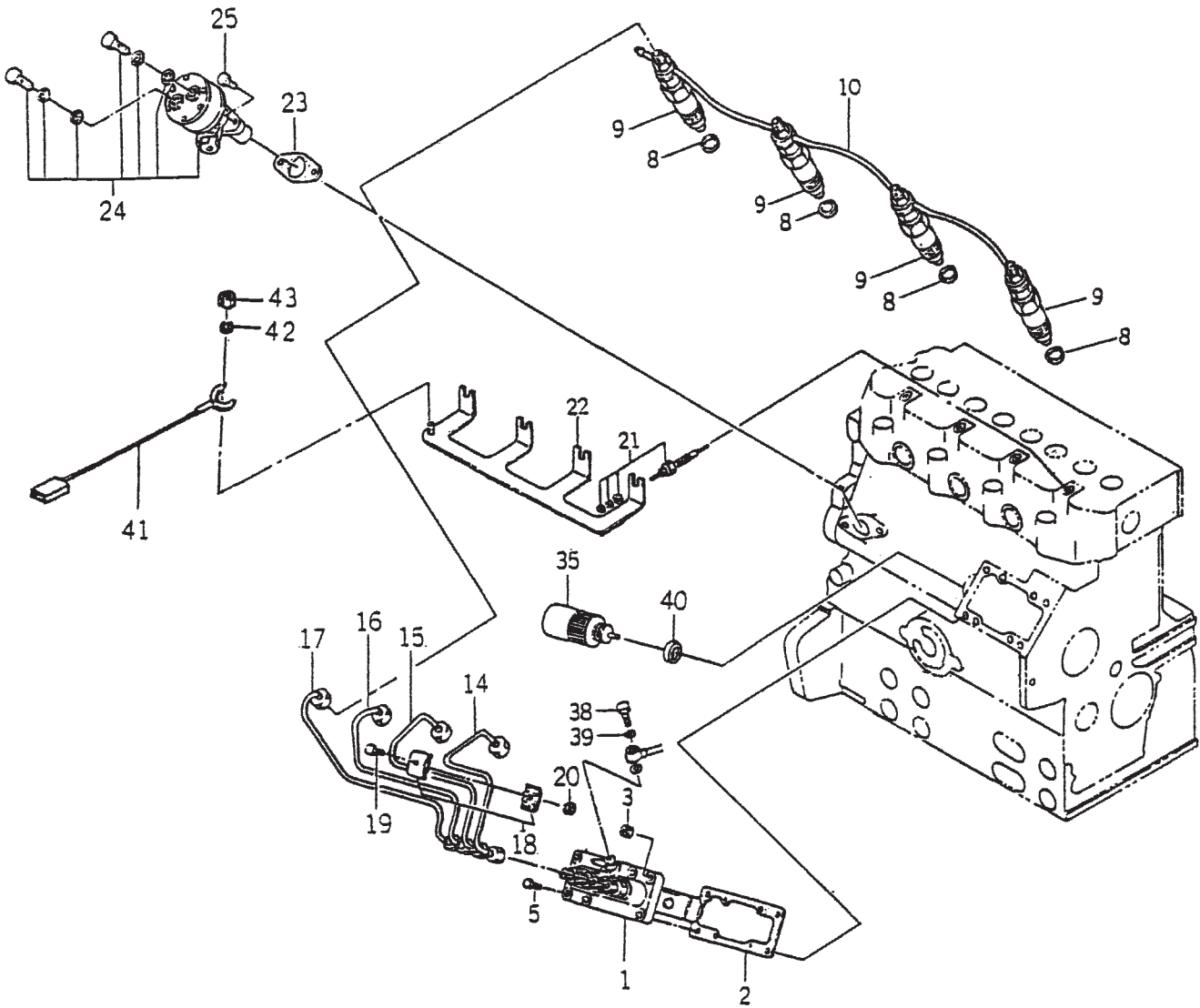


injectors844

General Arrangement L844

KEY	PART NUMBER	QTY	DESCRIPTION	SERIAL NUMBER
1	131017801	1	Injection Pump Assembly	-
2	131426321	1	Shim Set (formerly #131426320)	-
3	023100008	3	Nut	-
5	010800820	3	Bolt	-
8	131426200	4	Gasket	-
9	131406360	4	Fuel Injector (see parts detail page)	-
10	131606620	1	Return Line	-
14	131507601	1	Injection Line #1	-
15	131507611	1	Injection Line #2	-
16	131507621	1	Injection Line #3	-
17	131507631	1	Injection Line #4	-
18	199106021	6	Clamp	-
19	010110625	3	Bolt	-
20	023100006	3	Nut	-
21	185366060	4	Glow Plug 12 Volt*	-
	185366100	4	Glow Plug 24 Volt*	-
22	185376150	1	Connector	-
23	130996130	1	Gasket	-
24	130506140	1	Feed Pump Assembly (see parts detail page)	-
25	011140614	2	Bolt	-
35	185206084	1	Stop Solenoid - 12 Volt (Standard Ground)*	-
	185206191	1	Stop Solenoid - 12 Volt (Isolated Ground)*	-
	185206200	1	Stop Solenoid - 24 Volt (Isolated Ground)*	-
38	198487450	1	Screw	-
39	025100008	2	Seal Washer	-
40	025100016	1	Seal Washer	-
41	185606170	1	Wire Harness	-
42	027100004	1	Spring Washer	-
43	020100004	1	Nut	-
			*Note: See Electrical System	

General Arrangement M - NL844

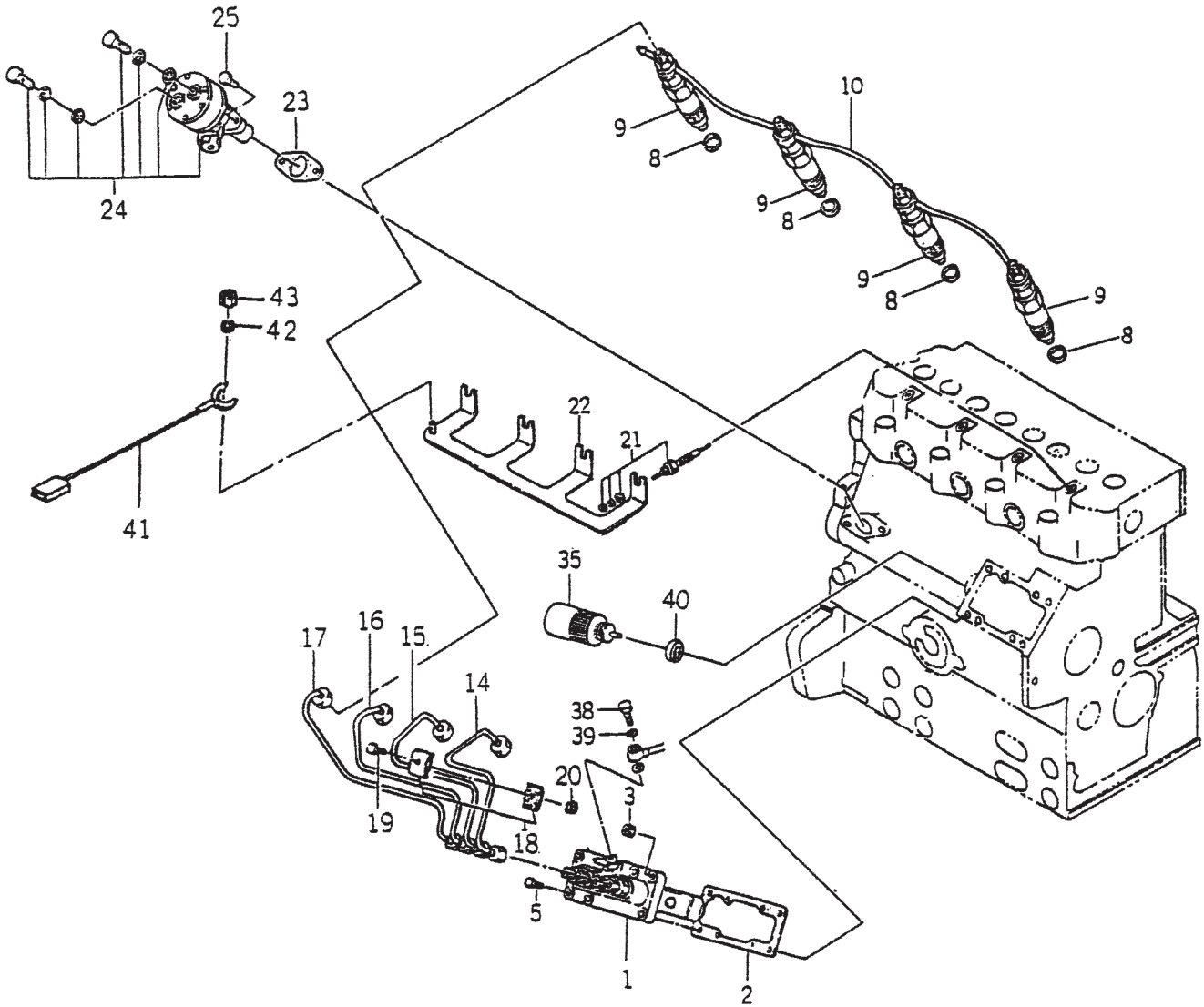


injectors844

General Arrangement M - NL844

KEY	PART NUMBER	QTY	DESCRIPTION	SERIAL NUMBER
1	131017602	1	Injection Pump Assembly	-
2	131426321	1	Shim Set (formerly #131426320)	-
3	023100008	3	Nut	-
5	010800820	3	Bolt	-
8	131426200	4	Gasket	-
9	131406360	4	Fuel Injector (see parts detail page)	-
10	131606620	1	Return Line	-
14	131507450	1	Injection Line #1	-
15	131507460	1	Injection Line #2	-
16	131507470	1	Injection Line #3	-
17	131507480	1	Injection Line #4	-
18	199106021	6	Clamp	-
19	010101625	3	Bolt	-
20	023100006	3	Nut	-
21	185366060	4	Glow Plug 12 Volt*	-
	185366100	4	Glow Plug 24 Volt*	-
22	185376150	1	Connector	-
23	130996130	1	Gasket	-
24	130506140	1	Feed Pump Assembly (see parts detail page)	-
25	011140614	2	Bolt	-
35	185206084	1	Stop Solenoid - 12 Volt (Standard Ground)*	-
	185206191	1	Stop Solenoid - 12 Volt (Isolated Ground)*	-
	185206200	1	Stop Solenoid - 24 Volt (Isolated Ground)*	-
38	198487450	1	Screw	-
39	025100008	2	Seal Washer	-
40	025100016	1	Seal Washer	-
41	185606170	1	Wire Harness	-
42	027100004	1	Spring Washer	-
43	020100004	1	Nut	-
			*Note See Electrical System	

General Arrangement M - NL844L

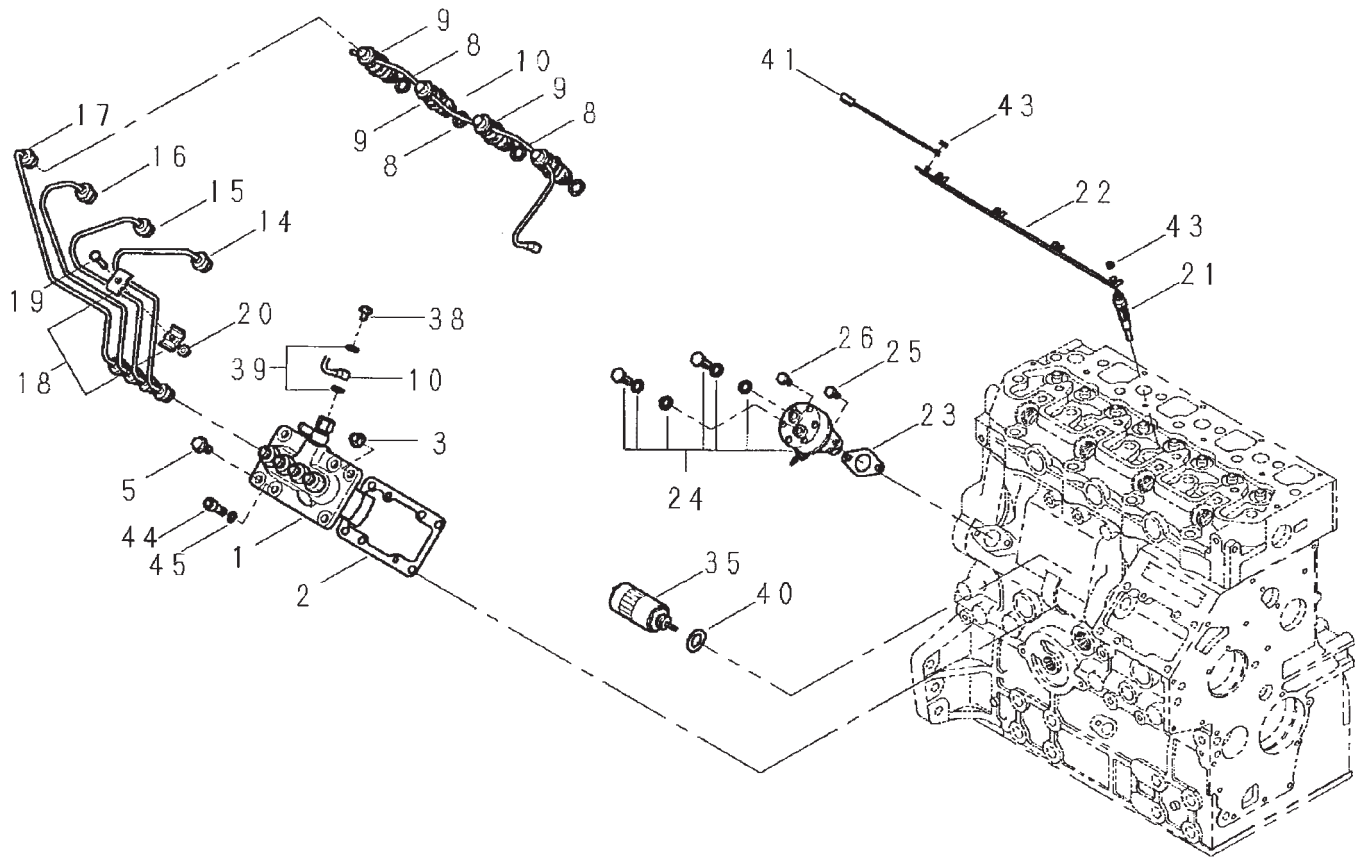


injectors844

General Arrangement M - NL844L

KEY	PART NUMBER	QTY	DESCRIPTION	SERIAL NUMBER
1	131017602	1	Injection Pump Assembly	-
2	131426321	1	Shim Set (formerly #131426320)	-
3	023100008	3	Nut	-
5	010800820	3	Bolt	-
8	131426200	4	Gasket	-
9	131406360	4	Fuel Injector (see parts detail page)	-
10	131606560	1	Return Line	-
14	131507520	1	Injection Line #1	-
15	131507530	1	Injection Line #2	-
16	131507540	1	Injection Line #3	-
17	131507550	1	Injection Line #4	-
18	199106021	6	Clamp	-
19	010110625	3	Bolt	-
20	023100006	3	Nut	-
21	185366060	4	Glow Plug 12 Volt*	-
	185366100	4	Glow Plug 24 Volt*	-
22	185376150	1	Connector	-
23	130996130	1	Gasket	-
24	130506140	1	Feed Pump Assembly (see parts detail page)	-
25	011140614	2	Bolt	-
35	185206084	1	Stop Solenoid - 12 Volt (Standard Ground)*	-
	185206191	1	Stop Solenoid - 12 Volt (Isolated Ground)*	-
	185206202	1	Stop Solenoid - 24 Volt (Isolated Ground)*	-
38	198487450	1	Screw	-
39	025100008	2	Seal Washer	-
40	025100016	1	Seal Washer	-
41	185606170	1	Wire Harness	-
42	027100004	1	Spring Washer	-
43	020100004	1	Nut	-
			*Note: See Electrical System	

General Arrangement M20CRW3



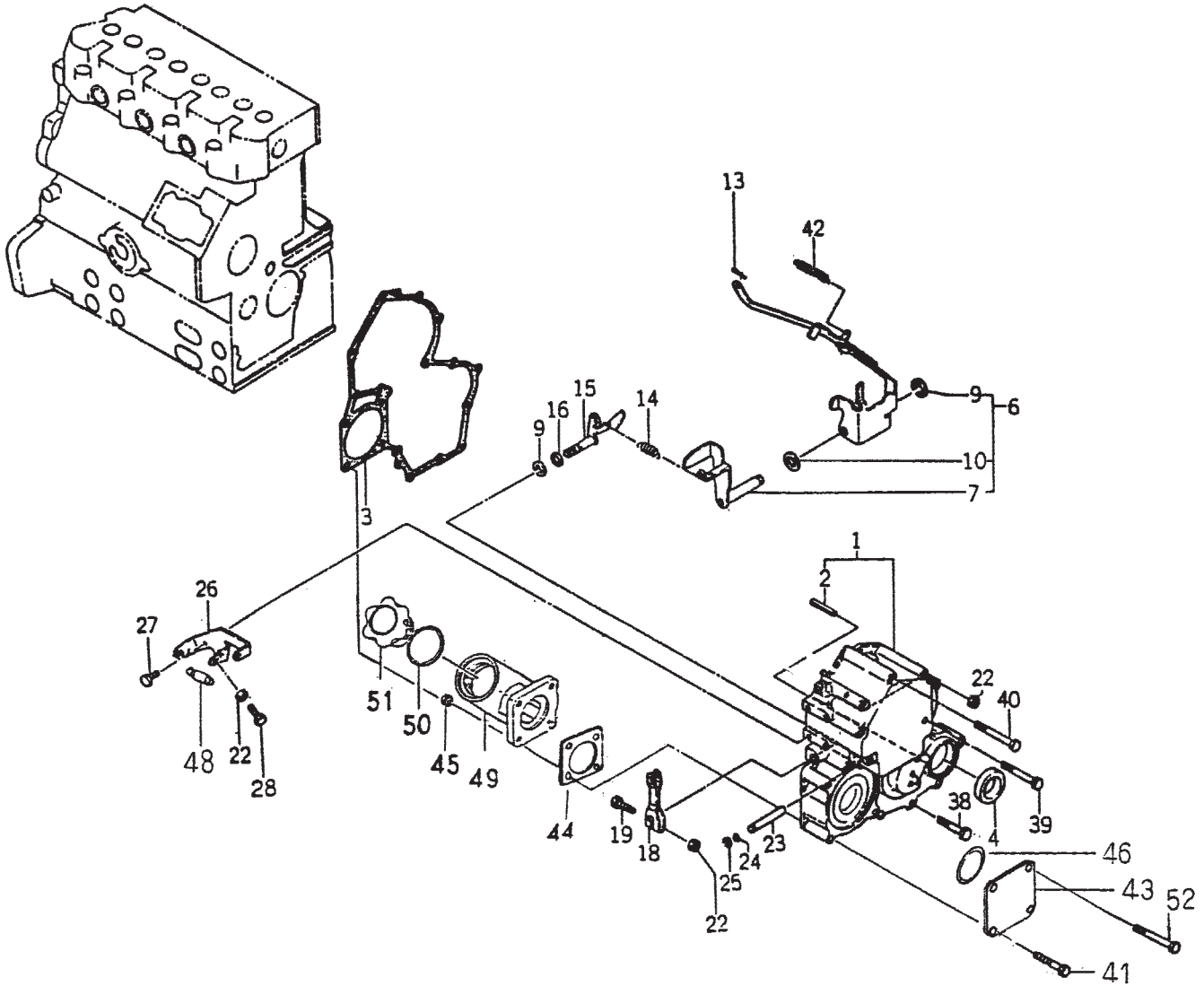
M20CRWfuelsystem

General Arrangement M20CRW3

KEY	PART NUMBER	QTY	DESCRIPTION	SERIAL NUMBER
1	131017602	1	Injection Pump Assembly	-
2	131426320	1	Shim	-
3	023100008	3	Nut	-
5	010800820	2	Bolt	-
8	131426200	4	Gasket	-
9	131406360	4	Fuel Injector (see parts detail page)	-
10	131606560	1	Return Line	-
14	131507520	1	Injection Line #1	-
15	131507530	1	Injection Line #2	-
16	131507540	1	Injection Line #3	-
17	131507550	1	Injection Line #4	-
18	199106021	6	Clamp	-
19	010110625	3	Bolt	-
20	023100006	3	Nut	-
21	185366060	4	Glow Plug 12 Volt*	-
22	185376150	1	Connector	-
23	130996130	1	Gasket	-
24	130506140	1	Feed Pump Assembly (see parts detail page)	-
25	011140614	2	Bolt	-
35	185206084	1	Stop Solenoid - 12 Volt (Standard Ground)*	-
38	198487450	1	Screw	-
39	025100008	2	Seal Washer	-
40	025100016	1	Seal Washer	-
41	185606170	1	Wire Harness	-
43	020100004	5	Nut	-
44	010700820	1	Bolt	-
45	027100008	1	Washer	-

*Note:
See Electrical System

Governor & Timing Gear Case



timinggear844

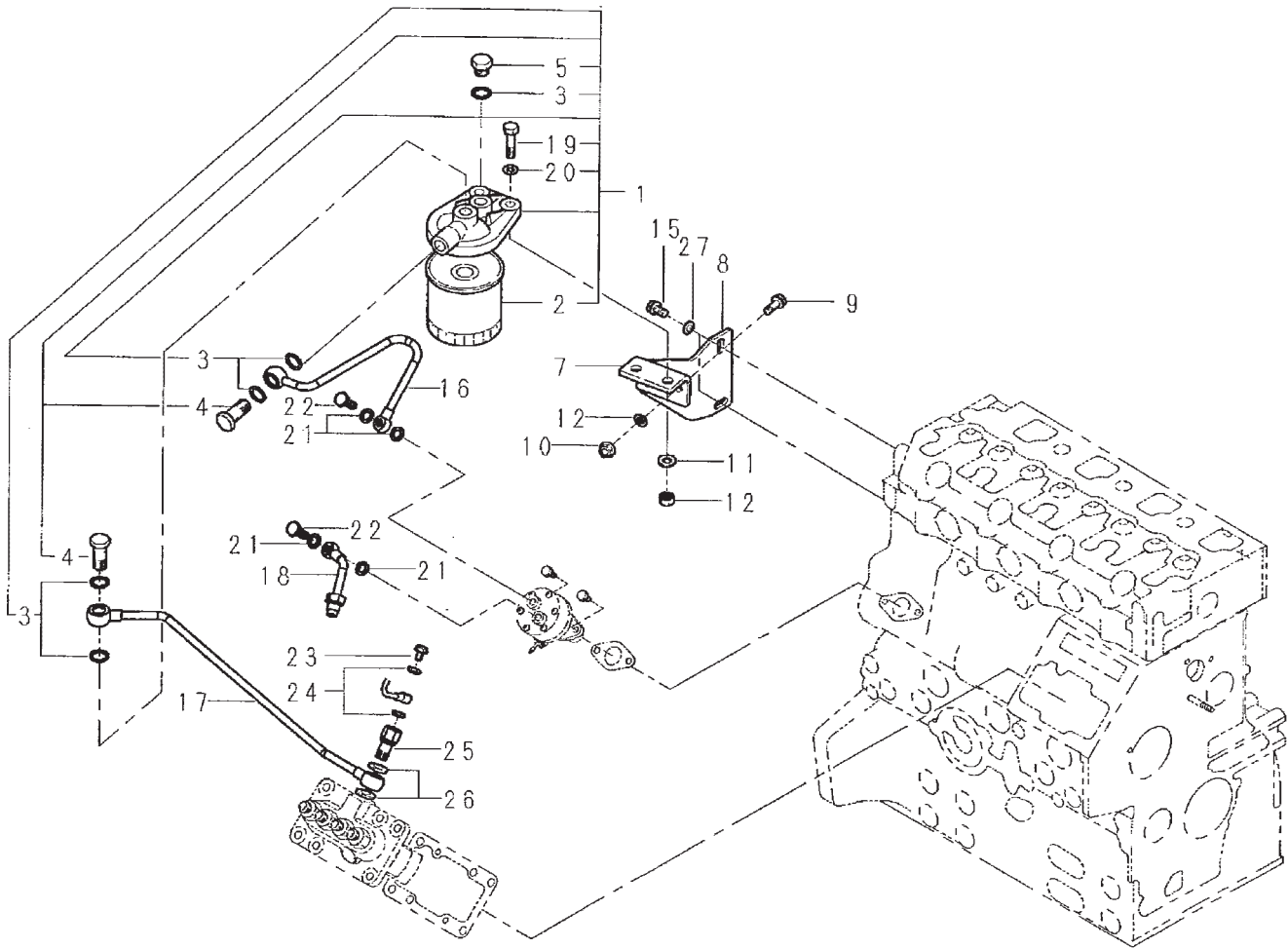
Governor & Timing Gear Case

KEY	PART NUMBER	QTY	DESCRIPTION	SERIAL NUMBER
1	165106810	1	Timing Gear Case Complete (Marine, includes key #2)	-
	165106800	1	Timing Gear Case Complete (Industrial, includes key #2)	-
	165106850	1	Timing Gear Case Complete (Commercial, includes key #2)	-
2	030300414	1	Spring Pin	-
3	165996550	1	Gasket	-
4	198636160	1	Oil Seal	-
6	125046170	1	Governor Lever Assembly (includes keys #7 - #10)	-
7	125406080	1	Tension Lever	-
9	036800008	2	Snap Ring	-
10	026200010	1	Washer	-
13	031100004	1	Snap Pin	-
14	198217650	1	Governor Spring	-
15	125156250	1	Arm (Marine & Industrial)	-
	125156170	1	Arm (Commercial)	-
16	052109110	1	O-ring	-
18	125416020	1	Governor Lever	-
19	010110630	1	Bolt	-
22	023100006	3	Nut	-
23	125116141	1	Shaft	-
24	052109108	1	O-ring	-
25	036800005	1	Snap Ring	-
26	125976120	1	Bracket	-
27	011310614	2	Bolt	-
28	012810640	1	Bolt	-
38	011310645	7	Bolt	-
39	011310660	3	Bolt	-
40	011310680	2	Bolt	-
41	010310865	3	Bolt	-
42	198216731	1	Start Spring	-
43	165206320	1	Cover (Marine)	-
	165206150	2	Cover (Industrial)	-
	165206010	1	Cover (Commercial)	-
44	165996610	1	Gasket	-
45	023100008	**	Hex Nut	-
46	052300700	1	O-ring	-
48	398210070	1	Spring	-
49	110766200	1	Oil Fill Elbow (Marine & Commercial)	-
50	052300400	1	O-ring (Marine & Commercial)	-
51	198436010	1	Cap (Marine & Commercial)	-
52	011510860	**	Bolt (Marine & Commercial)	-
	010310865	4	Bolt (Industrial)	-

*No longer available separately.

**As required

Fuel Filter & Piping



844fuelfiltercomm

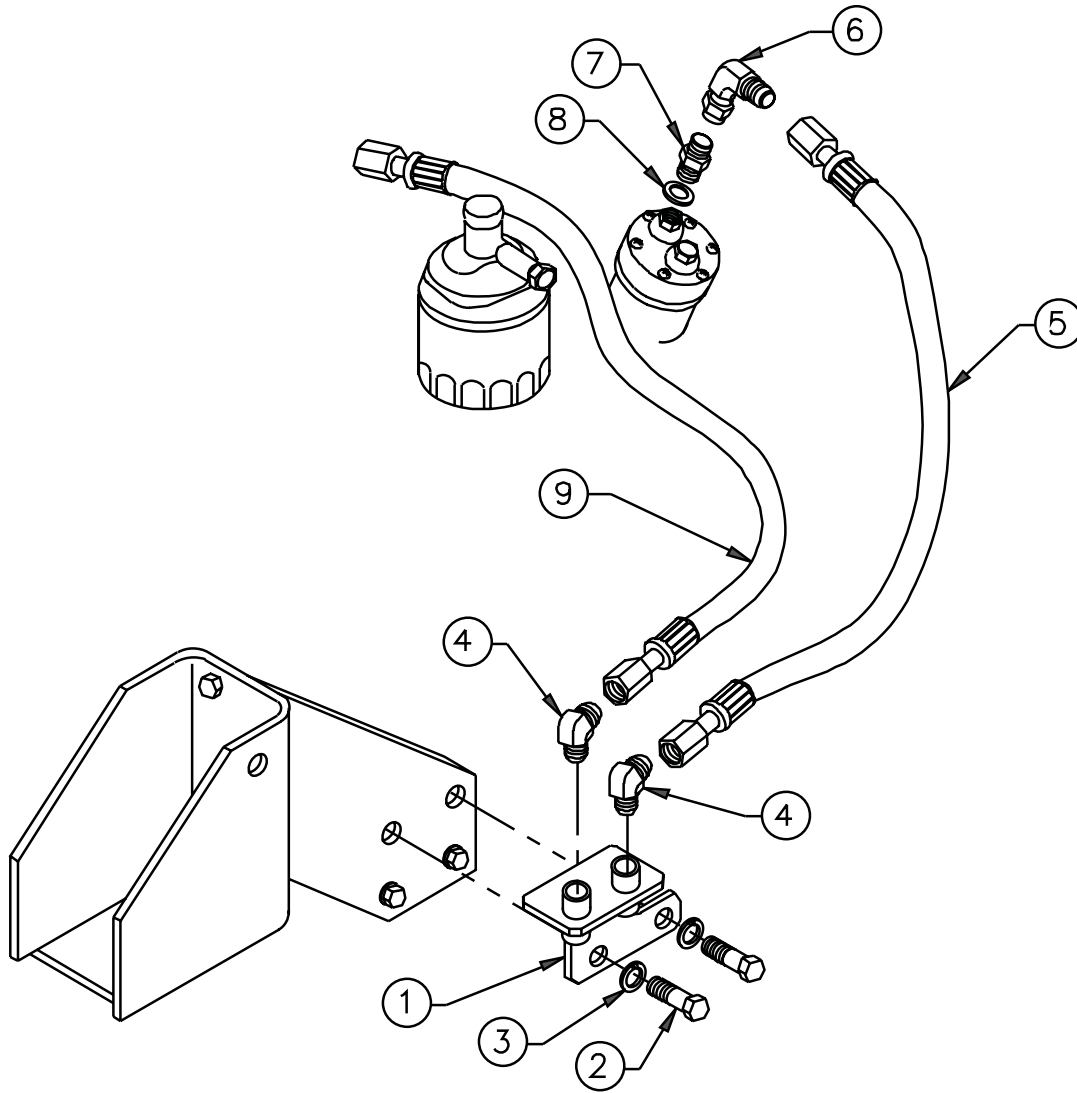
Fuel Filter & Piping

KEY	PART NUMBER	QTY	DESCRIPTION	SERIAL NUMBER
1	130306190	1	Fuel Filter Assembly (includes keys #2 - 5)	-
2	24-52020	1	Fuel Filter Cartridge	-
3	130326051	5	Gasket	-
4	130436011	2	Banjo Bolt	-
5	130396030	1	Plug	-
7	130976470	1	Bracket (Marine)	-
	130976450	1	Bracket (Industrial)	-
	130976260	1	Bracket (Commercial)	-
8	130976460	1	Bracket (Marine)	-
	130976440	1	Bracket (Industrial)	-
	130976250	1	Bracket (Commercial)	-
9	010310820	2	Bolt	-
10	023100008	2	Nut	-
11	027100010	2	Spring Washer	-
12	020900010	2	Nut	-
15	011510816	2	Bolt (Marine & Commercial)	-
	011510825	2	Bolt (Industrial)	-
16	130556690	1	Pipe (L-M-NL844)	-
	130556760	1	Pipe (L-M-NL844L & Commercial)	-
17	130556750	1	Pipe	-
18	130556681	1	Pipe	-
19	010311035	2	Bolt	-
20	026200010	2	Washer	-
21	130516069	4	Gasket	-
22	130516092	2	Banjo Bolt	-
23	198487450	1	Banjo Bolt	-
24	025100008	2	Gasket	-
25	131246170	1	Banjo Bolt	-
26	131296255	2	Gasket	-
27	026100008	2	Washer	-

GROUP 4 – FUEL SYSTEM

Fuel Line Connection L844

USCG A-1 - SAE J1527 - ISO 7840

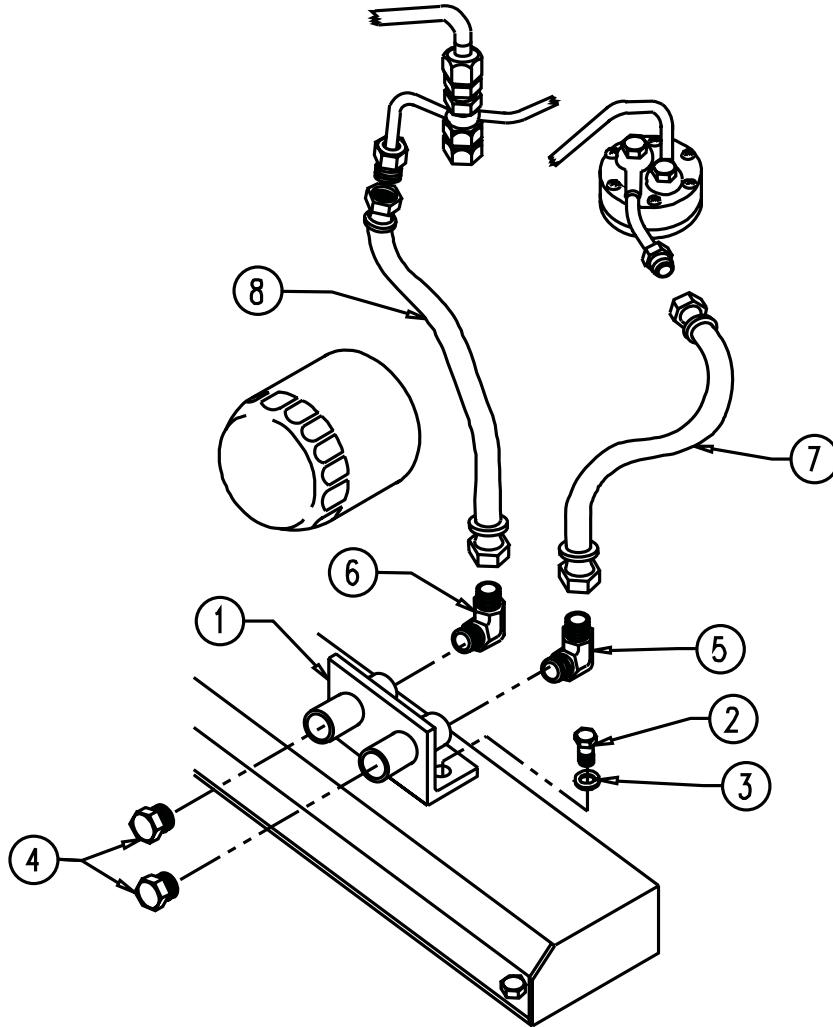


A-11854/ B-9374

KEY	PART NUMBER	QTY	DESCRIPTION	SERIAL NUMBER
1	10-58401	1	Fuel Manifold 1/4 NPT	-
2	12-00314	2	Capscrew, Hex Head 3/8- 16 x 1- 1/2"	-
3	15-00302	2	Lock Washer, 3/8	-
4	21-50054	2	Male Elbow 45° Brass 1/4 NPT x 1/4- 45T	-
5	18-58104	1	Hose Assembly 1/4" I.D. x 8" 1/4 FMS	-
6	21-52214	1	Elbow 90° Swivel Steel 1/4- 37T	-
7	21-52017	1	Male Connector Steel 1/4- 37T x M8 x 1.25	-
8	07005-00812	1	Sealing Washer, Bonded M8	-
9	18-58103	1	Hose Assembly 1/4" I.D. x 14" 1/4 FMS	-

USCG A-1 SAE J1527 ISO 7840 Fuel Lines

M844 up to s/n xxxx-47026C
M844L up to s/n xxxx-47167C
NL844 & NL844L All



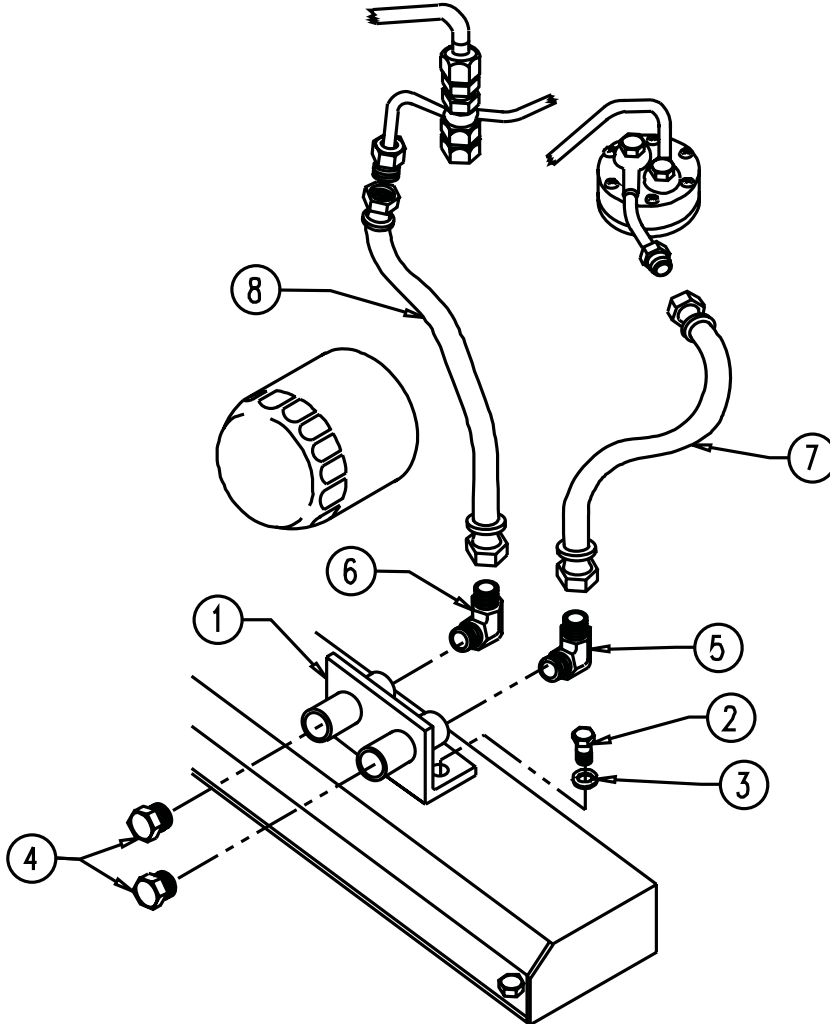
A-11855/ B-9278

KEY	PART NUMBER	QTY	DESCRIPTION	SERIAL NUMBER
1	10-51099	1	Fuel Manifold 1/4 NPT	-
2	12-01102	2	Capscrew, Hex Head M6 x 1.0 x 16 mm S/S	-
3	15-00610	2	Lock Washer, Helical M6 S/S	-
4	21-31624	2	Plug, Hex Head Brass 1/4 NPT	-
5	21-52245	1	Male Elbow 90°, Brass 1/4 NPT x 5/16-45T	-
6	21-71044	1	Male Elbow 90°, Brass 1/4 NPT x 1/4-45T	-
7	18-58404	1	Hose Assembly 1/4" ID x 17"	-
8	18-58405	1	Hose Assembly 1/4" ID x 24"	-

GROUP 4 – FUEL SYSTEM

USCG A-1 SAE J1942 ABS Fuel Lines

M844 from s/n xxxx-47027C
 M844 from s/n xxxx-47168C

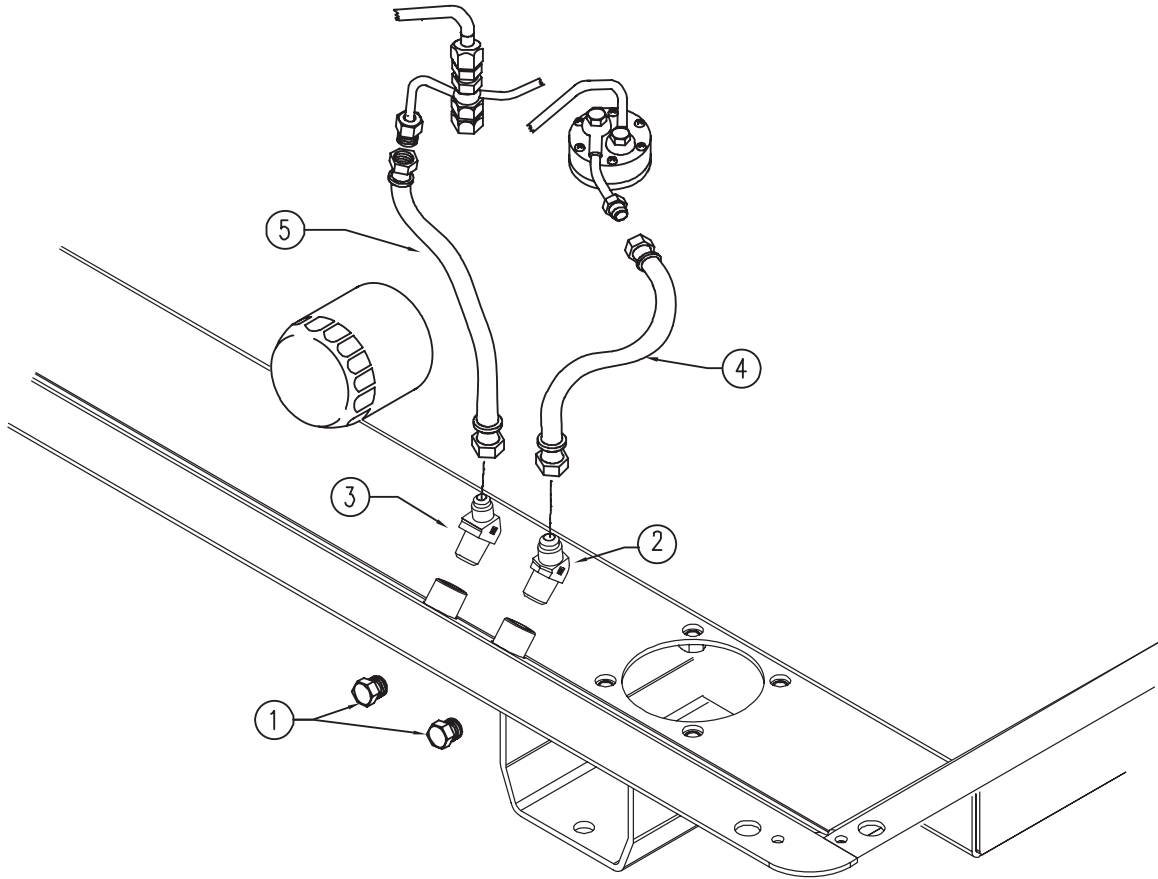


A-6684/ B-9278

KEY	PART NUMBER	QTY	DESCRIPTION	SERIAL NUMBER
1	10-51099	1	Fuel Manifold 1/4 NPT	-
2	12-01102	2	Capscrew, Hex Head M6 x 1.0 x 16 mm S/S	-
3	15-00610	2	Lock Washer, Helical M6 S/S	-
4	21-31624	2	Plug, Hex Head Brass 1/4 NPT	-
5	21-52245	1	Male Elbow 90°, Brass 1/4 NPT x 5/16-45T	-
6	21-71044	1	Male Elbow 90°, Brass 1/4 NPT x 1/4-45T	-
7	18-58105	1	Hose Assembly 1/4" ID x 17"	-
8	18-58106	1	Hose Assembly 1/4" ID x 25"	-

USCG A-1 SAE J1527 ISO 7840 Fuel Lines

M844 from s/n xxxx-47027C
 M844L from s/n xxxx-47168C



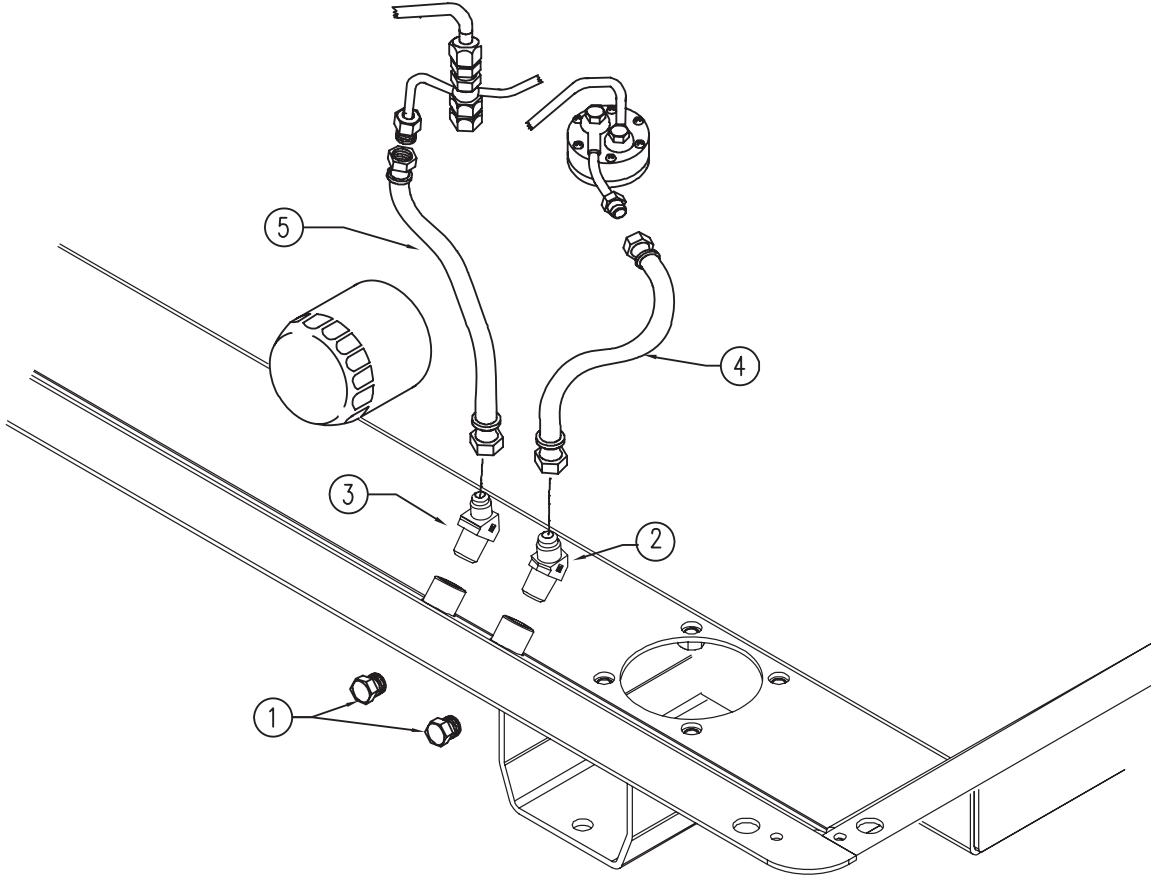
B-9827

Key	Part Number	Qty	Description	Serial Number
1	21-31624	2	Plug, Hex Head Brass 1/4 NPT	-
2	21-00600	1	Male Elbow, 45°, Steel 1/4NPT X 5/16-37T	-
3	21-05404	1	Male Elbow, 45°, Steel 1/4NPT X 1/4-37T	-
4	18-58404	1	Hose Assembly 1/4" ID x 17"	-
5	18-58405	1	Hose Assembly 3/16" ID x 24"	-

GROUP 4 – FUEL SYSTEM

USCG A-1 SAE J1942 ABS Fuel Lines

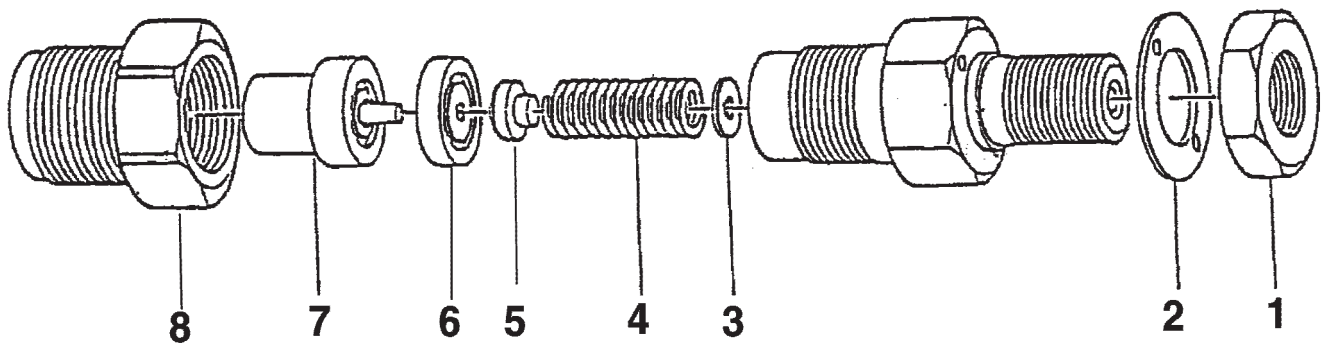
M844 from s/n xxxx-47027C
 M844L from s/n xxxx-47168C



B-9827

Key	Part Number	Qty	Description	Serial Number
1	21-31624	2	Plug, Hex Head Brass 1/4 NPT	-
2	21-00600	1	Male Elbow, 45°, Steel 1/4NPT X 5/16-37T	-
3	21-05404	1	Male Elbow, 45°, Steel 1/4NPT X 1/4-37T	-
4	18-58105	1	Hose Assembly 1/4" ID x 17"	-
5	18-58106	1	Hose Assembly 3/16" ID x 25"	-

Fuel Injector

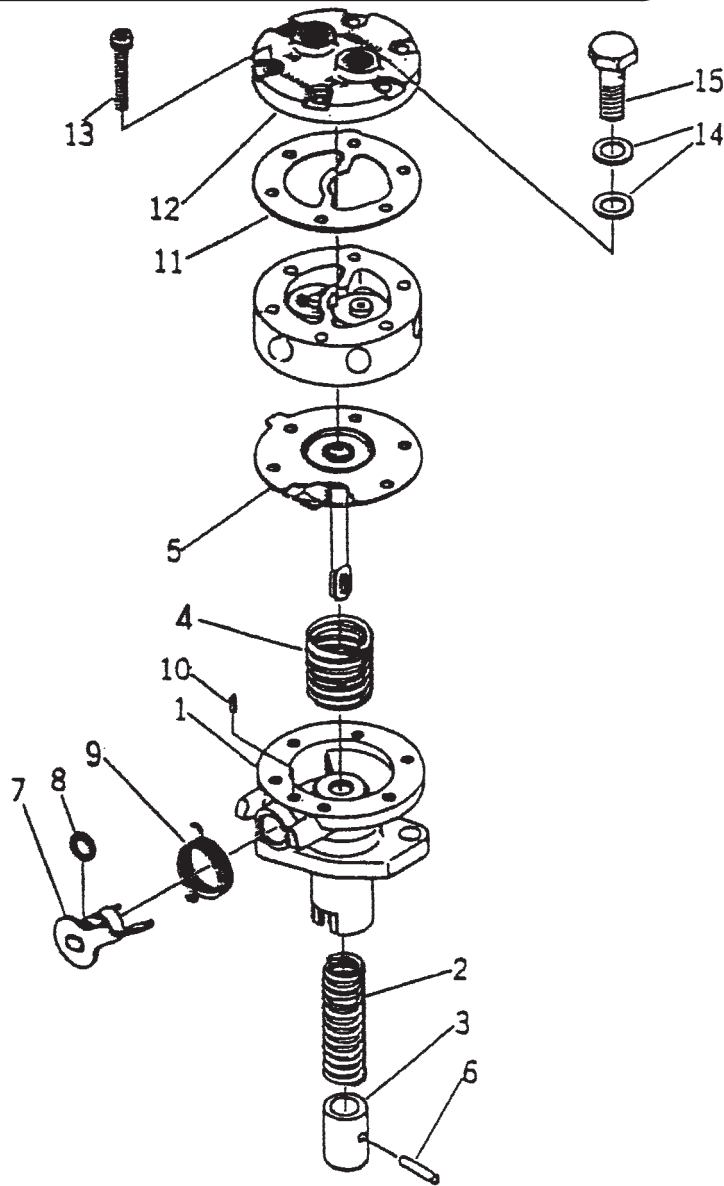


injector844

KEY	PART NUMBER	QTY	DESCRIPTION	SERIAL NUMBER
••	131406360	1	Injector Assembly (includes keys #1 - 8)	-
1	131446006	1	Nut	-
2	131426230	1	Gasket	-
3	131437360	3	Shim	-
4	131446074	1	Spring	-
5	131446075	1	Spring seat	-
6	131446976	1	Spacer	-
7	131416170	1	Nozzle	-
8	131446077	1	Nut	-

GROUP 4 – FUEL SYSTEM

Fuel Feed Pump

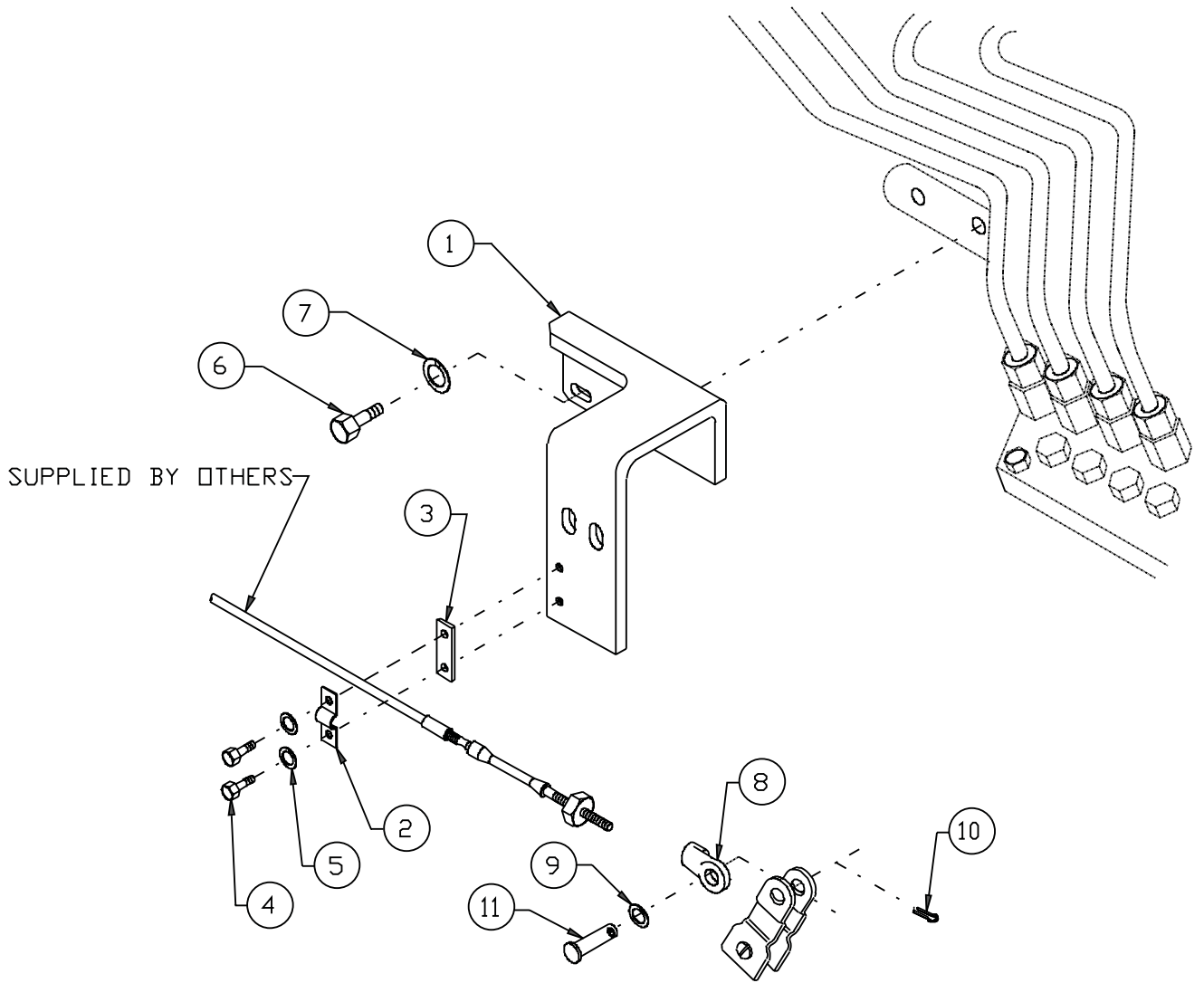


feedpump844

KEY	PART NUMBER	QTY	DESCRIPTION	SERIAL NUMBER
••	130506140	1	Feed Pump Assembly (includes keys #1 - 15)	-
1	130516080	1	Housing*	-
2	130516081	1	Spring	-
3	130516082	1	Piston	-
4	130516083	1	Spring	-
5	130516084	1	Diaphragm	-
6	130516085	1	Pin	-
7	130516086	1	Lever	-
8	131226180	1	O-ring	-
9	130516087	1	Spring	-
10	130516088	1	Guide*	-
11	130516101	1	Gasket	-
12	130516090	1	Cap*	-
13	130516091	6	Screw	-
14	130516069	4	Gasket	-
15	130516092	2	Banjo Bolt	-

*No longer available separately.

Throttle Assembly

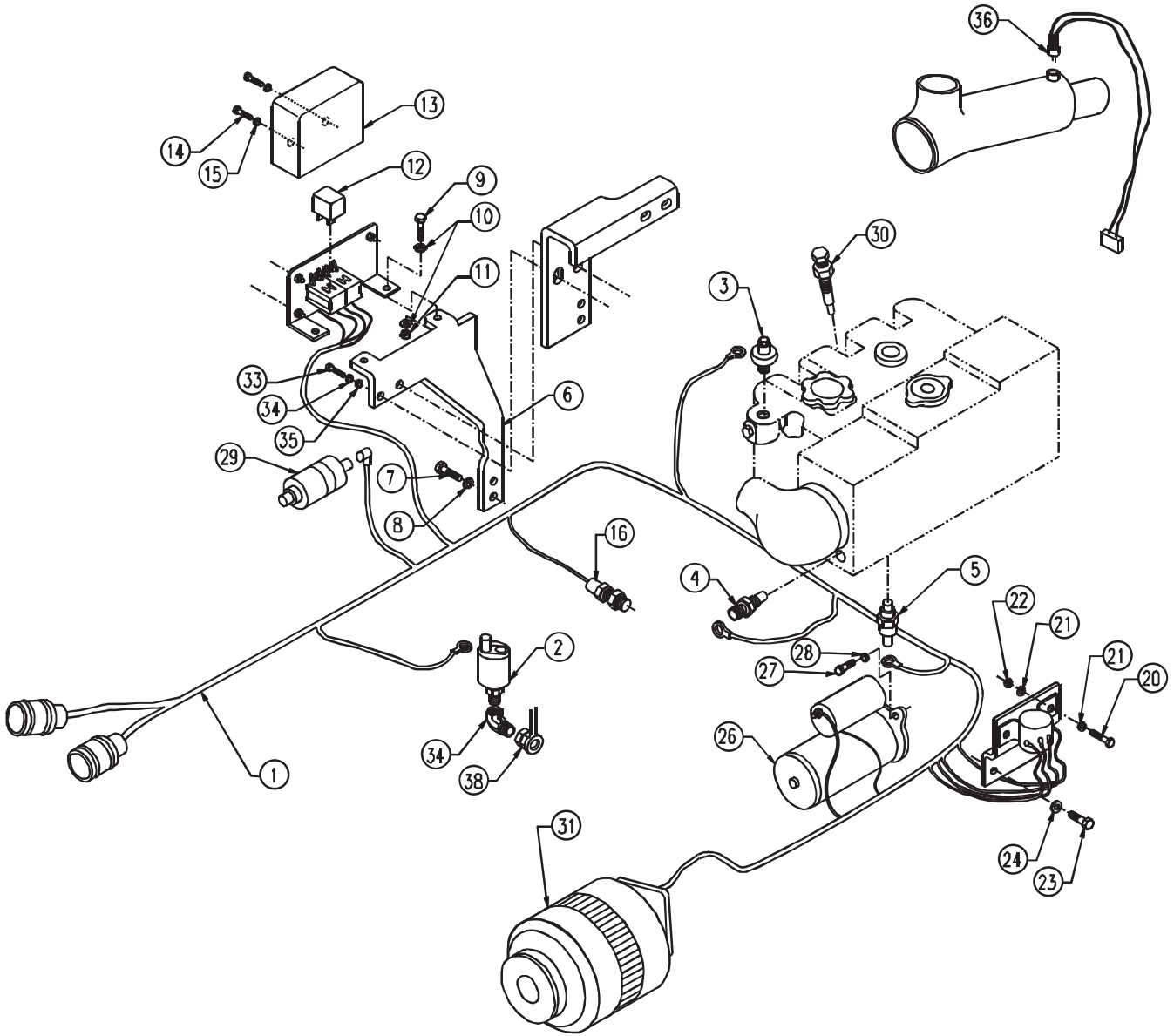


A-10414/ B-8411

KEY	PART NUMBER	QTY	DESCRIPTION	SERIAL NUMBER
1	23-98401	1	Throttle Bracket	-
2	23-91001	1	Cable Clamp	-
3	23-91002	1	Clamp Shim	-
4	12-54800	2	Capscrew, Hex Head M5 x 0.8 x 14 mm	-
5	15-04400	2	Lock Washer, Helical M5	-
6	12-00030	1	Capscrew, Hex Head M6 x 1.0 x 16 mm	-
7	15-01132	1	Lock Washer, Helical M6	-
8	23-91020	1	Throttle Pivot	-
9	15-00706	1	Flat Washer, M8 S/S	-
10	32-00001	1	Cotter Pin, Brass 5/64" x 1"	-
11	32-50001	1	Clevis Pin, S/S	-

Engine Electrical 12 Volt Standard Ground

Propulsion Units



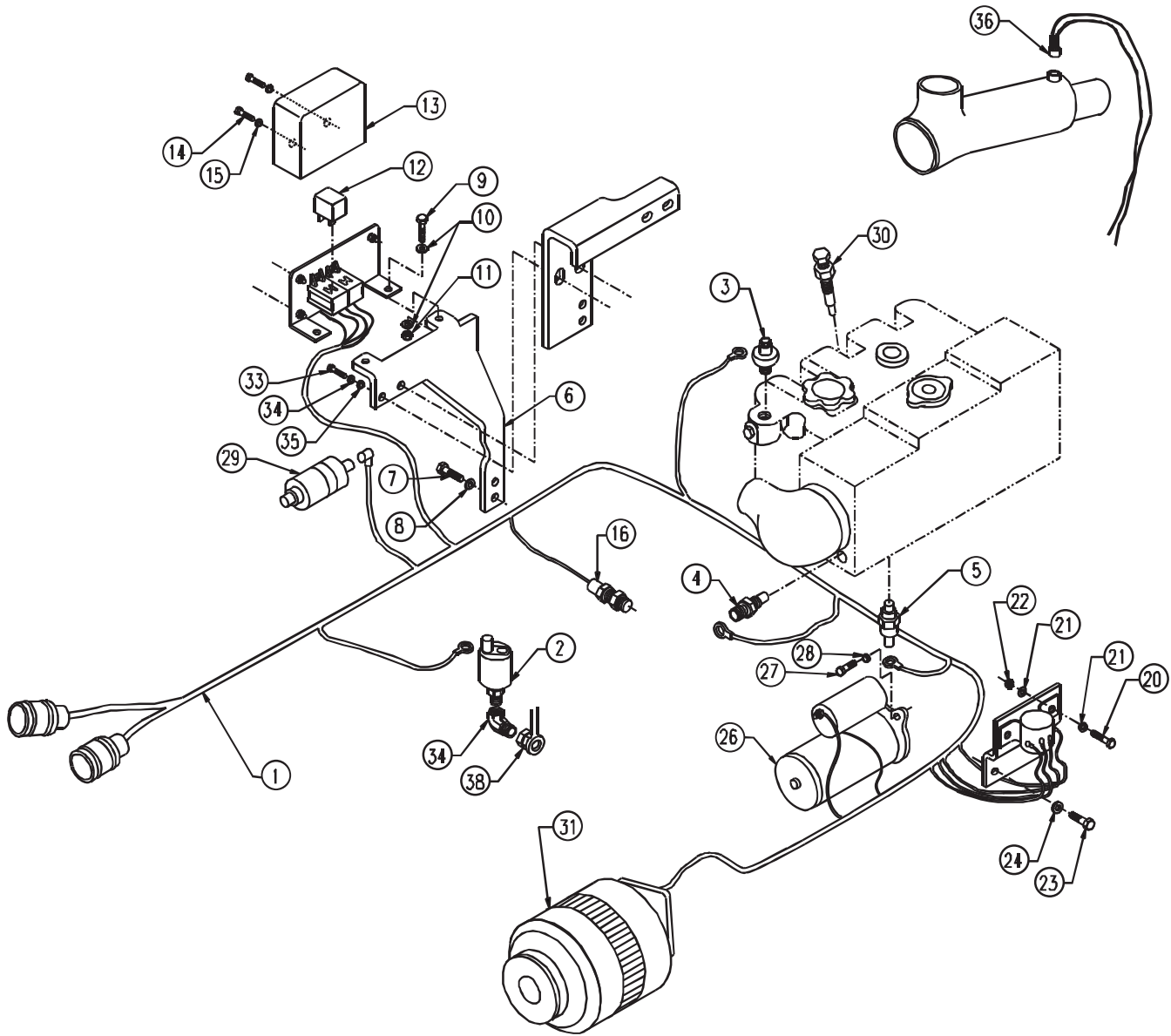
Engine Electrical 12 Volt Standard Ground

Propulsion Units

KEY	PART NUMBER	QTY	DESCRIPTION	SERIAL NUMBER
1	22-48404	1	Engine Wire Harness	-
2	22-41016	1	Oil Pressure Sender 0-80 PSI, Standard Ground	-
3	185246011	1	Oil Pressure Switch, Standard Ground 14.2 PSI	-
4	22-42055	1	Temperature Sender 250°F, Standard Ground	-
5	385720110	1	Temperature Switch 95°C	-
6	23-08401	1	Bracket, Circuit Breaker and Relays	-
7	12-59100	2	Capscrew, M14 x 1.5 x 30 S/S	-
8	15-09401	2	Flat Washer, M14 S/S	-
9	12-01131	2	Capscrew, Hex Head M6 x 1.0 x 20 mm	-
10	15-00008	4	Flat Washer M6	-
11	14-01131	2	Hex Nut M6 x 1.0	-
12	22-42047	2	Relay 12 Volt 50 Amp	-
13	00-44801	1	Cover, Circuit Breaker and Relays	-
14	12-00094	2	Machine Screw, BH Slotted #10- 32 x 3/8" S/S	-
15	15-70002	2	Flat Washer #10 S/S	-
16	22-40450	1	Magnetic Pick-up, M18 x 1.5 x 58 mm	-
17	22-41002	1	20' Wire Harness Extension (not shown)	-
18	22-41080	1	Solenoid 12 VDC 65 Amp	-
19	23-48605	1	Bracket, Relay Mounting	-
20	12-00030	2	Capscrew, Hex Head M6 x 1.0 x 16 mm	-
21	15-00008	4	Flat Washer M6	-
22	14-04803	2	Hex Nut, Nylock M6 x 1.0	-
23	12-59100	2	Capscrew, Hex Head M14 x 1.5 x 30 mm S/S	-
24	15-09402	2	Lock Washer, M14 S/S	-
25	22-98100	1	Control Panel 12 Volt (not shown, see parts detail)	-
26	185086551	1	Starter 12 Volt (see parts detail)	-
27	12-00832	2	Capscrew, Hex Head M10 x 1.5 x 30 mm	-
28	15-00804	2	Wave Washer M10	-
29	185206083	1	Stop Solenoid 12 Volt	-
30	185366060	4	Glow Plug 12 Volt	-
31	185046320	1	Alternator 12V/ 40 Amp	-
32	21-04801	1	Street Elbow, 90° 1/8 NPT	-
33	12-01102	2	Capscrew, M6 x 1.0 x 16 mm S/S	-
34	34-00610	2	Lock Washer	-
35	15-01134	2	Flat Washer M6	-
36	22-42070	1	Exhaust Temperature Switch 205°F	-
37	22-40482	**	Harness Assembly, High Exhaust Temperature (not shown)	-
38	198487590	1	Banjo Bolt	-
			**As required	

Engine Electrical 24 Volt Standard Ground

Propulsion Units



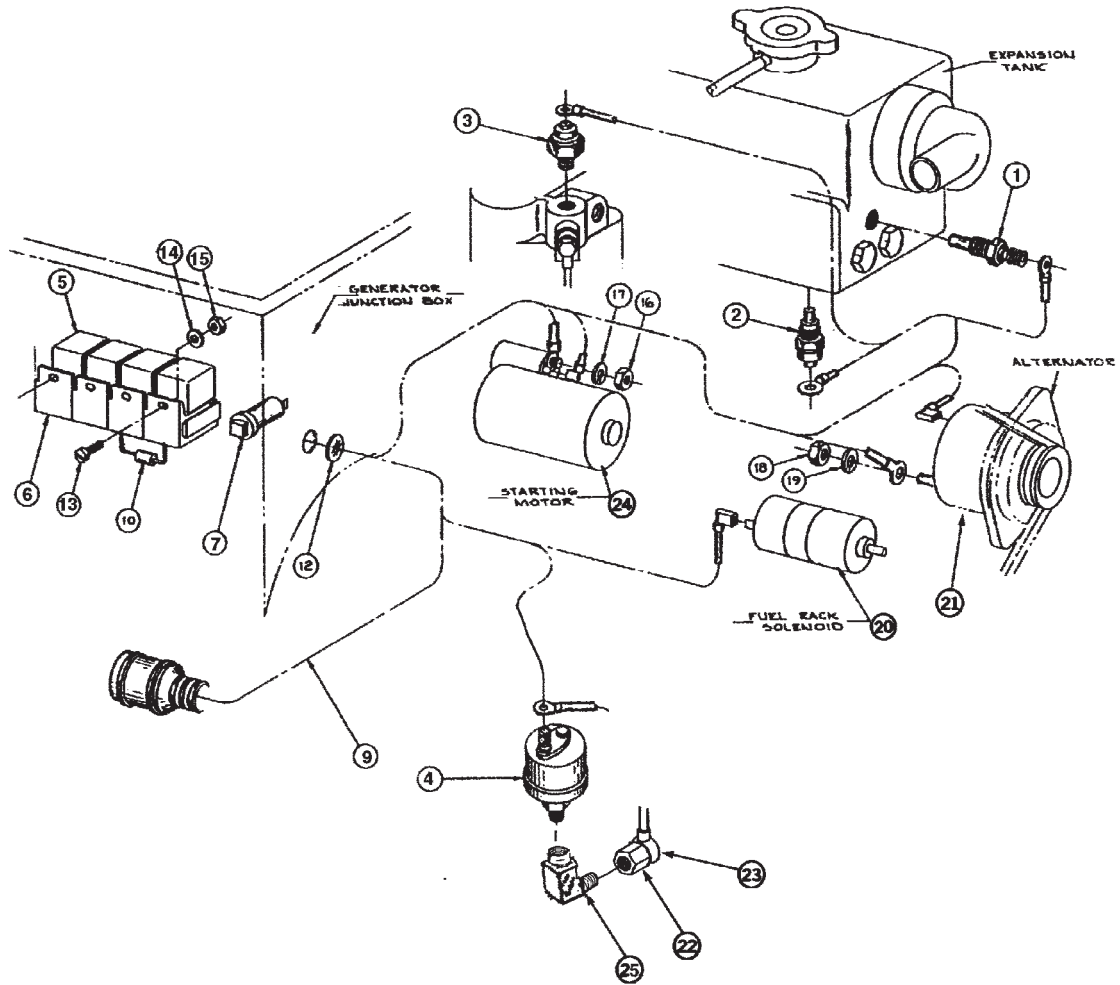
A-10417 / C-5632

Engine Electrical 24 Volt Standard Ground				
				Propulsion Units
KEY	PART NUMBER	QTY	DESCRIPTION	SERIAL NUMBER
1	22-48404	1	Engine Wire Harness	-
2	22-41016	1	Oil Pressure Sender 0-80 PSI, Standard Ground	-
3	185246011	1	Oil Pressure Switch, Standard Ground 14.2 PSI	-
4	22-42055	1	Temperature Sender 250°F, Standard Ground	-
5	385720110	1	Temperature Switch 95°C	-
6	23-08401	1	Bracket, Circuit Breaker and Relays	-
7	12-59100	2	Capscrew, M14 x 1.5 x 30 S/S	-
8	15-09401	2	Flat Washer, M14 S/S	-
9	12-01131	2	Capscrew, Hex Head M6 x 1.0 x 20 mm	-
10	15-00008	4	Flat Washer M6	-
11	14-01131	2	Hex Nut M6 x 1.0	-
12	22-40085	2	Relay 24 Volt 20 Amp	-
13	00-44801	1	Cover, Circuit Breaker and Relays	-
14	12-00094	2	Machine Screw, BH Slotted #10- 32 x 3/8" S/S	-
15	15-70002	2	Flat Washer #10 S/S	-
16	22-40450	1	Magnetic Pick-up, M18 x 1.5 x 58 mm	-
17	22-41002	1	20' Wire Harness Extension (not shown)	-
18	22-41079	1	Solenoid 24 VDC 65 Amp	-
19	23-48605	1	Bracket, Relay Mounting	-
20	12-00030	2	Capscrew, Hex Head M6 x 1.0 x 16 mm	-
21	15-00008	4	Flat Washer M6	-
22	14-04803	2	Hex Nut, Nylock M6 x 1.0	-
23	12-59100	2	Capscrew, Hex Head M14 x 1.5 x 30 mm S/S	-
24	15-09402	2	Lock Washer, Helical M14 S/S	-
25	22-98105	1	Main Instrument Panel 24 Volt (not shown - see parts detail)	-
26	22-42074	1	Starter 24 Volt (see parts detail)	-
27	12-00832	2	Capscrew, Hex Head M10 x 1.5 x 30 mm	-
28	15-00804	2	Wave Washer M10	-
29	185206200	1	Stop Solenoid 24 Volt	-
30	185366100	4	Glow Plug 24 Volt	-
31	22-72020	1	Alternator 24V/ 40 Amp	-
32	21-04801	1	Street Elbow, 90° 1/8 NPT	-
33	12-01102	2	Capscrew, M6 x 1.0 x 16 mm S/S	-
34	15-00610	2	Lock Washer	-
35	15-01134	2	Flat Washer M6	-
36	22-42070	1	Exhaust Temperature Switch, 205°F	-
37	22-40482	**	Harness Assembly, High Exhaust Temperature (not shown)	-
38	198487590	1	Banjo Bolt	-
			**As required	

GROUP 5 – ELECTRICAL SYSTEM

Engine Electrical 12 Volt Standard Ground

Marine Units



A-6258 / C-2490AA

Engine Electrical 12 Volt Standard Ground

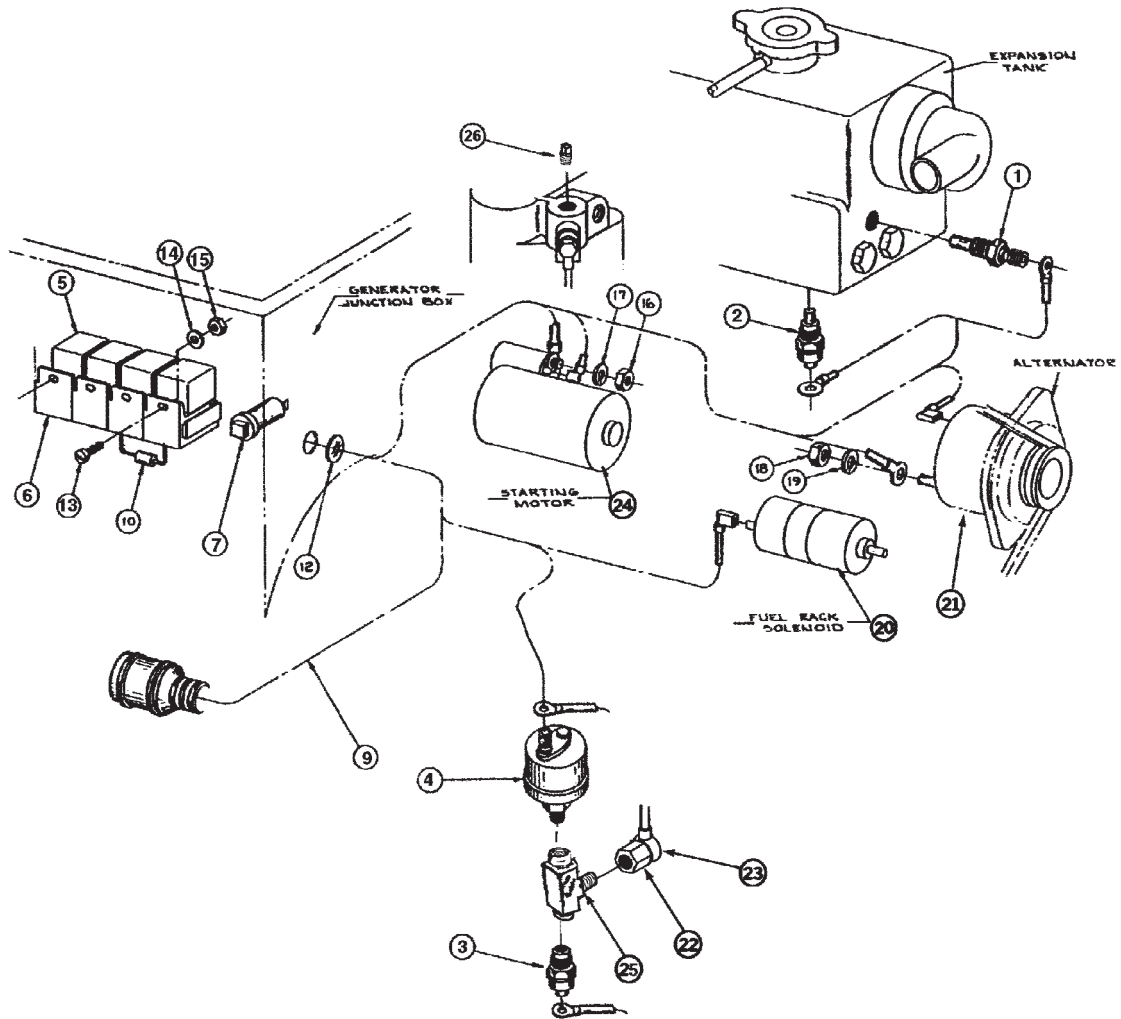
Marine Units

KEY	PART NUMBER	QTY	DESCRIPTION	SERIAL NUMBER
1	22-42055	1	Temperature Sender 250°F	-
	22-70226	1	Dual Station Temperature Sender 250°F (former #22-40352)	-
	22-55201	1	Bushing, Brass 3/8NPT x 1/8 NPT (for sender 22-70226)	-
2	385720110	1	Temperature Switch 95°C	-
3	185246011	1	Oil Pressure Switch	-
4	22-41016	1	Oil Pressure Sender	-
	22-71016	1	Dual Station Oil Pressure Sender	-
5	22-40085	4	Relay, 24 Volt SPDT	-
6	22-40393	4	Relay Base	-
7	22-42043	1	Circuit Breaker, DC 15 Amp	-
8	22-92125	1	Control Panel, S1-B (see detail)	-
9	22-48101	1	Engine Wire Harness	-
10	22-41060	2	Diode, 6 Amp 50 Volt PIV	-
11	22-40930	1	Wire Harness Extension 20' (not shown)	-
12	00-41015	1	Universal Bushing, Plastic	-
13	12-00094	2	Machine Screw #10-32 x 3/8" s/s	-
14	15-00032	2	Flat Washer #10	-
15	14-00006	2	Hex Nut, Nylock #10-32	-
16	14-00711	1	Hex Nut, M8 x 1.25	-
17	15-00702	1	Lock Washer M8	-
18	14-04401	1	Hex Nut, M5 x 0.8	-
19	15-04400	1	Lock Washer M5	-
20	185206202	1	Stop Solenoid 24 Volt (see also Fuel System)	-
21	22-40278	1	Alternator 24 Volt 40 AMP	up to S/N xxxx-47026C (844)
		1	Alternator 24 Volt 40 AMP	up to S/N xxxx-47167C (844L)
	22-42088	1	Alternator 24 Volt 25 AMP	from S/N xxxx-47027C (844)
		1	Alternator 24 Volt 25 AMP	from S/N xxxx-47168C (844L)
22	198487590	1	Banjo Bolt	-
23	140606701	1	Oil Line	-
24	22-42081	1	Starter 24 Volt (see mounting detail)	-
25	21-04801	1	Street 90° Steel 1/8 NPT x 1/8 NPT (not shown)	-

GROUP 5 – ELECTRICAL SYSTEM

Engine Electrical 12 Volt Isolated Ground

Marine Units



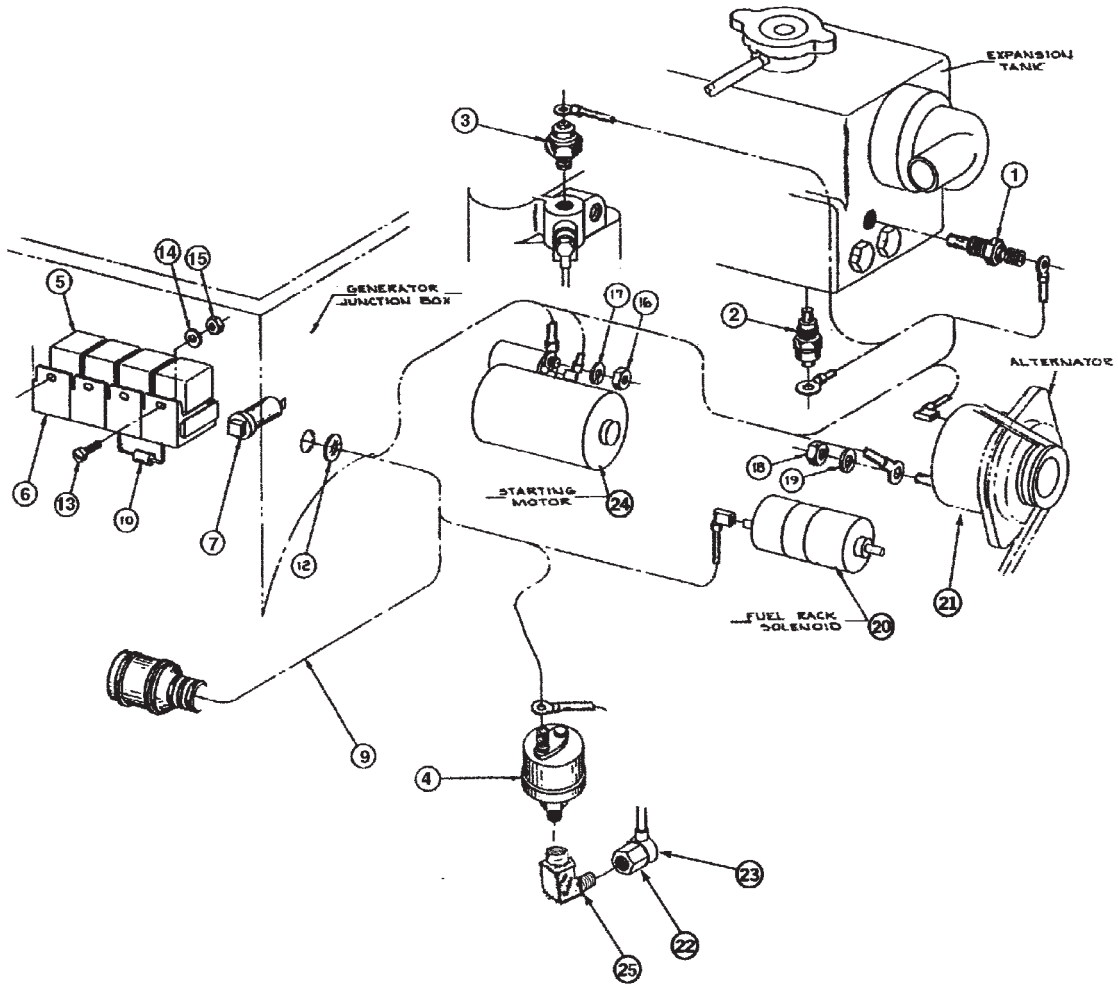
A-6258 / C-2490C

Engine Electrical 12 Volt Isolated Ground				
				Marine Units
KEY	PART NUMBER	QTY	DESCRIPTION	SERIAL NUMBER
1	22-44810	1	Temperature Sender 250°F	-
	22-40353	1	Dual Station Temperature Sender 250°F	-
2	22-40358	1	Temperature Switch 95°C	-
3	22-40236	1	Oil Pressure Switch	-
4	22-42803	1	Oil Pressure Sender	-
	22-74803	1	Dual Station Oil Pressure Sender	-
5	22-40085	5	Relay, 24 Volt SPDT	-
6	22-40393	5	Relay Base	-
7	22-42043	1	Circuit Breaker, DC 15 Amp	-
8	22-92125	1	Control Panel, S1-B (see detail)	-
9	22-48101	1	Engine Wire Harness	-
	22-78101	1	Ground Harness Addition (includes relay base 22-40393)	-
10	22-41060	2	Diode, 6 Amp 50 Volt PIV	-
11	22-40930	1	Wire Harness Extension 20' (not shown)	-
12	00-41015	1	Universal Bushing, Plastic	-
13	12-00094	2	Machine Screw #10- 32 x 3/8" S/S	-
14	15-00032	2	Flat Washer #10	-
15	14-00006	2	Hex Nut, Nylock #10- 32	-
16	14-00711	1	Hex Nut, M8 x 1.25	-
17	15-00702	1	Lock Washer M8	-
18	14-04401	1	Hex Nut, M5 x 0.8	-
19	15-04400	1	Lock Washer M5	-
20	185206202	1	Stop Solenoid 24 Volt (see also Fuel System)	-
21	22-71052	1	Alternator 24 Volt 35 AMP	up to S/N xxx-47026C (844)
		1	Alternator 24 Volt 35 AMP	up to S/N xxx-47167C (844L)
	22-42089	1	Alternator 24 Volt 25 AMP	from S/N xxx-47027C (844)
		1	Alternator 24 Volt 25 AMP	from S/N xxx-47168C (844L)
22	198487590	1	Banjo Bolt	-
23	140606701	1	Oil Line	-
24	22-42082	1	Starter 24 Volt (see mounting detail)	-
25	21-21001	1	Branch Tee Steel 1/8 NPT x 1/8 NPT (not shown)	-
26	21-00050	1	Plug 1/8BSPT	-

GROUP 5 – ELECTRICAL SYSTEM

Engine Electrical 24 Volt Standard Ground

Marine Units



A-6258 / C-2490AA

Engine Electrical 24 Volt Standard Ground

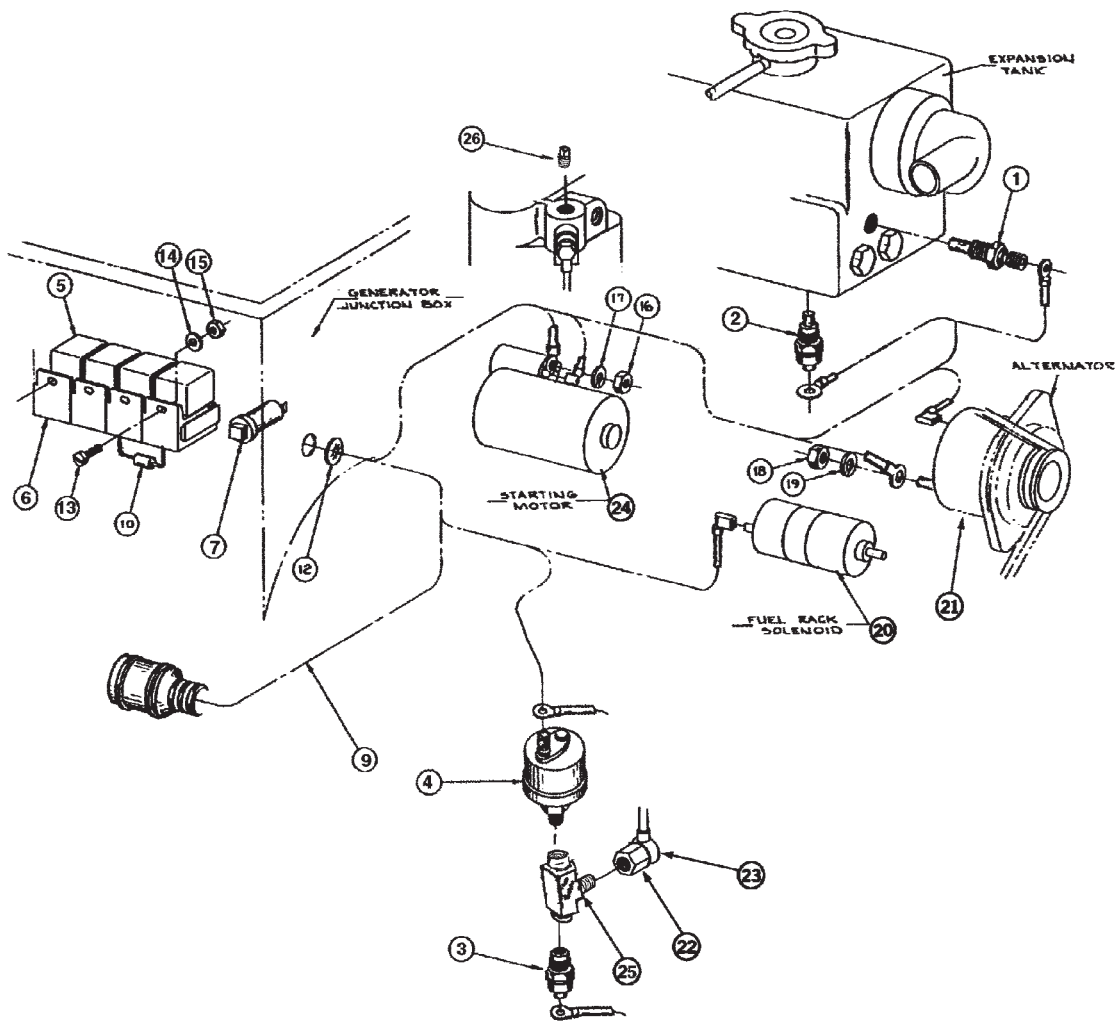
Marine Units

KEY	PART NUMBER	QTY	DESCRIPTION	SERIAL NUMBER
1	22-42055	1	Temperature Sender 250°F	-
	22-70226	1	Dual Station Temperature Sender 250°F (former #22-40352)	-
	22-55201	1	Bushing, Brass 3/8NPT x 1/8 NPT (for sender 22-70226)	-
2	385720110	1	Temperature Switch 95°C	-
3	185246011	1	Oil Pressure Switch	-
4	22-41016	1	Oil Pressure Sender	-
	22-71016	1	Dual Station Oil Pressure Sender	-
5	22-40085	4	Relay, 24 Volt SPDT	-
6	22-40393	4	Relay Base	-
7	22-42043	1	Circuit Breaker, DC 15 Amp	-
8	22-92125	1	Control Panel, S1-B (see detail)	-
9	22-48101	1	Engine Wire Harness	-
10	22-41060	2	Diode, 6 Amp 50 Volt PIV	-
11	22-40930	1	Wire Harness Extension 20' (not shown)	-
12	00-41015	1	Universal Bushing, Plastic	-
13	12-00094	2	Machine Screw #10-32 x 3/8" s/s	-
14	15-00032	2	Flat Washer #10	-
15	14-00006	2	Hex Nut, Nylock #10-32	-
16	14-00711	1	Hex Nut, M8 x 1.25	-
17	15-00702	1	Lock Washer M8	-
18	14-04401	1	Hex Nut, M5 x 0.8	-
19	15-04400	1	Lock Washer M5	-
20	185206202	1	Stop Solenoid 24 Volt (see also Fuel System)	-
21	22-40278	1	Alternator 24 Volt 40 AMP	up to S/N xxxx-47026C (844)
		1	Alternator 24 Volt 40 AMP	up to S/N xxxx-47167C (844L)
	22-42088	1	Alternator 24 Volt 25 AMP	from S/N xxxx-47027C (844)
		1	Alternator 24 Volt 25 AMP	from S/N xxxx-47168C (844L)
22	198487590	1	Banjo Bolt	-
23	140606701	1	Oil Line	-
24	22-42081	1	Starter 24 Volt (see mounting detail)	-
25	21-04801	1	Street 90° Steel 1/8 NPT x 1/8 NPT (not shown)	-

GROUP 5 – ELECTRICAL SYSTEM

Engine Electrical 24 Volt Isolated Ground

Marine Units



A-6398, A-6402 / C-2490C

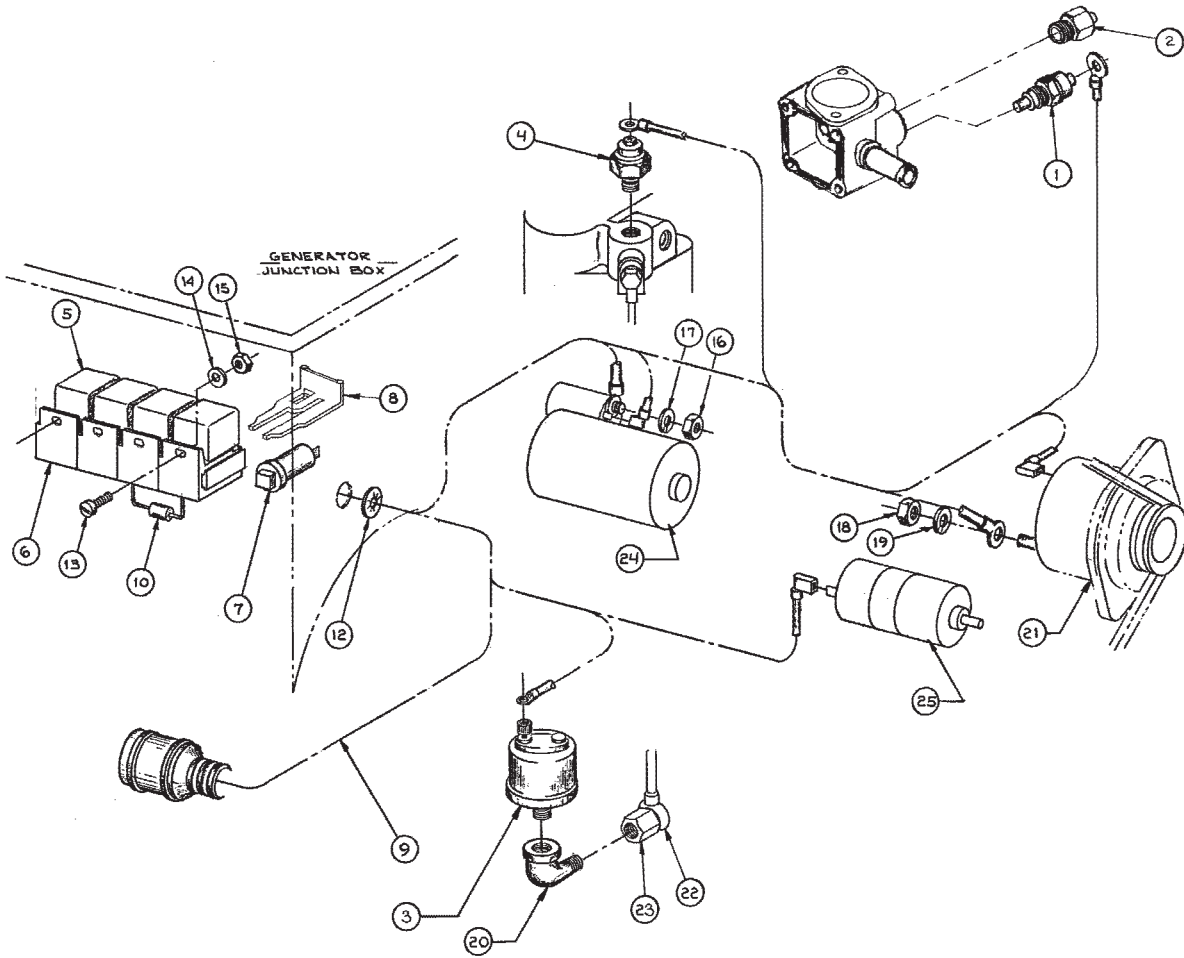
Engine Electrical 24 Volt Isolated Ground

Marine Units

KEY	PART NUMBER	QTY	DESCRIPTION	SERIAL NUMBER
1	22-44810	1	Temperature Sender 250°F	-
	22-40353	1	Dual Station Temperature Sender 250°F	-
2	22-40358	1	Temperature Switch 95°C	-
3	22-40236	1	Oil Pressure Switch	-
4	22-42803	1	Oil Pressure Sender	-
	22-74803	1	Dual Station Oil Pressure Sender	-
5	22-40085	5	Relay, 24 Volt SPDT	-
6	22-40393	5	Relay Base	-
7	22-42043	1	Circuit Breaker, DC 15 Amp	-
8	22-92125	1	Control Panel, S1-B (see detail)	-
9	22-48101	1	Engine Wire Harness	-
	22-78101	1	Ground Harness Addition (includes relay base 22-40393)	-
10	22-41060	2	Diode, 6 Amp 50 Volt PIV	-
11	22-40930	1	Wire Harness Extension 20' (not shown)	-
12	00-41015	1	Universal Bushing, Plastic	-
13	12-00094	2	Machine Screw #10- 32 x 3/8" S/S	-
14	15-00032	2	Flat Washer #10	-
15	14-00006	2	Hex Nut, Nylock #10- 32	-
16	14-00711	1	Hex Nut, M8 x 1.25	-
17	15-00702	1	Lock Washer M8	-
18	14-04401	1	Hex Nut, M5 x 0.8	-
19	15-04400	1	Lock Washer M5	-
20	185206202	1	Stop Solenoid 24 Volt (see also Fuel System)	-
21	22-71052	1	Alternator 24 Volt 35 AMP	up to S/N xxxx-47026C (844)
		1	Alternator 24 Volt 35 AMP	up to S/N xxxx-47167C (844L)
	22-42089	1	Alternator 24 Volt 25 AMP	from S/N xxxx-47027C (844)
		1	Alternator 24 Volt 25 AMP	from S/N xxxx-47168C (844L)
22	198487590	1	Banjo Bolt	-
23	140606701	1	Oil Line	-
24	22-42082	1	Starter 24 Volt (see mounting detail)	-
25	21-21001	1	Branch Tee Steel 1/8 NPT x 1/8 NPT (not shown)	-
26	21-00050	1	Plug 1/8BSPT	-

Engine Electrical - 12 Volt Standard Ground

Industrial Units



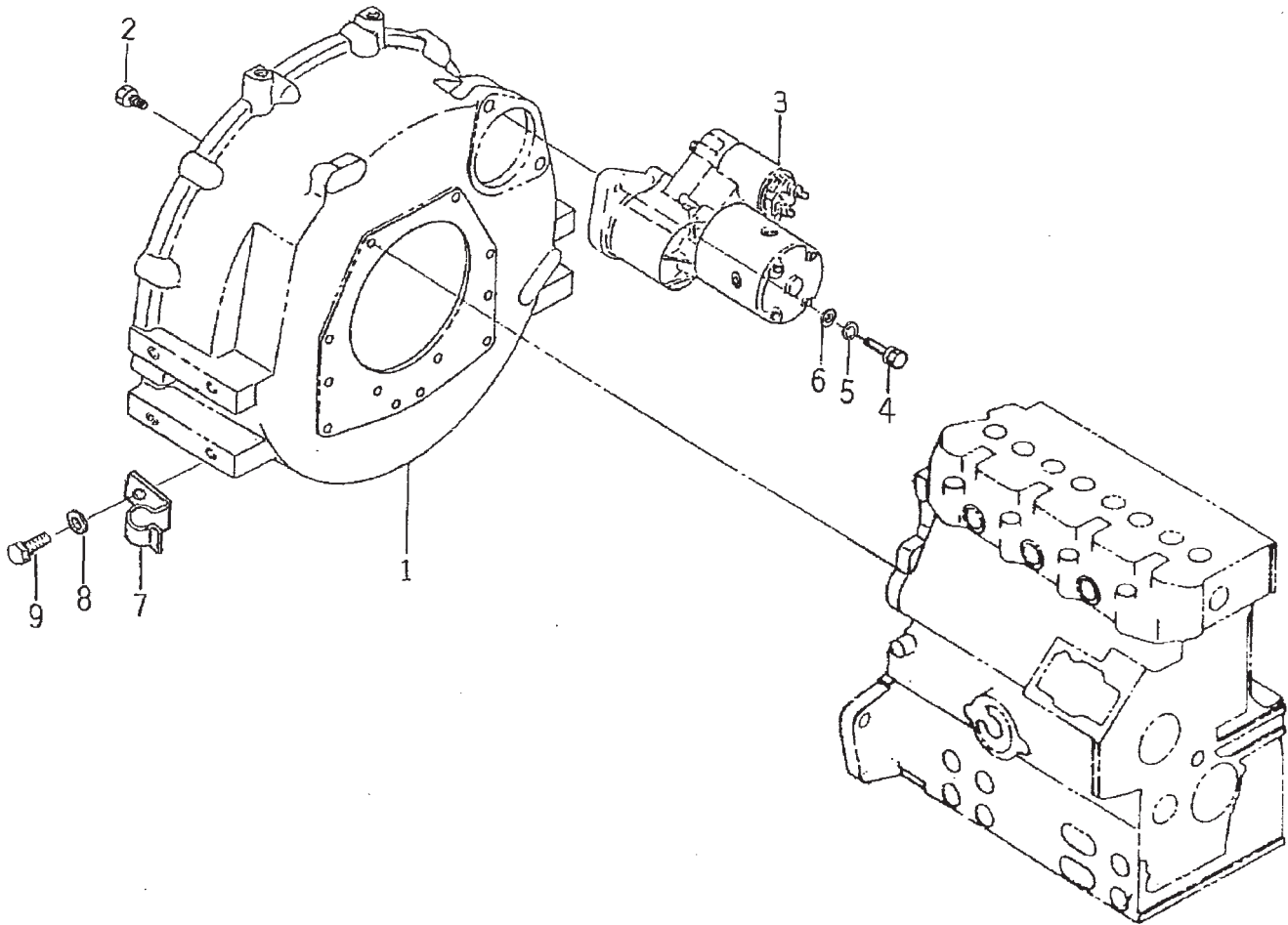
A-4786/ C-2490Bnl

Engine Electrical - 12 Volt Standard Ground

Industrial Units

KEY	PART NUMBER	QTY	DESCRIPTION	SERIAL NUMBER
1	22-42055	1	Temperature Sender, 0-250°F Single Station 3/8 NPT	-
2	385720101	1	Temperature Switch 221°F/ 105°C	-
3	22-41016	1	Oil Pressure Sender 0-80 PSI, Single Station 1/8 NPT	-
4	185246011	1	Oil Pressure Switch	-
5	22-42047	4	Relay, 12 Volt SPDT	-
6	22-40391	4	Relay Base	-
7	22-42043	1	Circuit Breaker	-
8	22-40393	4	Terminal Retainer	-
9	22-43121	1	Engine Wire Harness (includes key #10)	-
10	22-41060	2	Diode, 6 Amp 50 Volt	-
11	22-40930	1	Wire Harness Extension 20' (not shown)	-
12	00-40028	1	Grommet	-
13	12-00094	2	Machine Screw #10-32 x 3/8" Stainless Steel	-
14	15-00032	2	Flat Washer #10	-
15	14-00001	2	Hex Nut, #10-32	-
16	14-00711	1	Hex Nut, M8 x 1.25	-
17	15-00702	1	Lock Washer M8	-
18	14-04401	1	Hex Nut, M5 x 0.8	-
19	15-04400	1	Lock Washer M5	-
20	21-04801	1	Street Elbow 90°, 1/8 NPT Steel	-
21	185046320	1	Alternator 12 Volt (see parts detail)	-
22	140607941	1	Oil Line	-
23	198487590	1	Banjo Bolt (Tapped 1/8 NPT Female)	-
24	185086551	1	Starter 12 Volt (see parts detail)	-
25	185206084	1	Fuel Solenoid 12 Volt	-

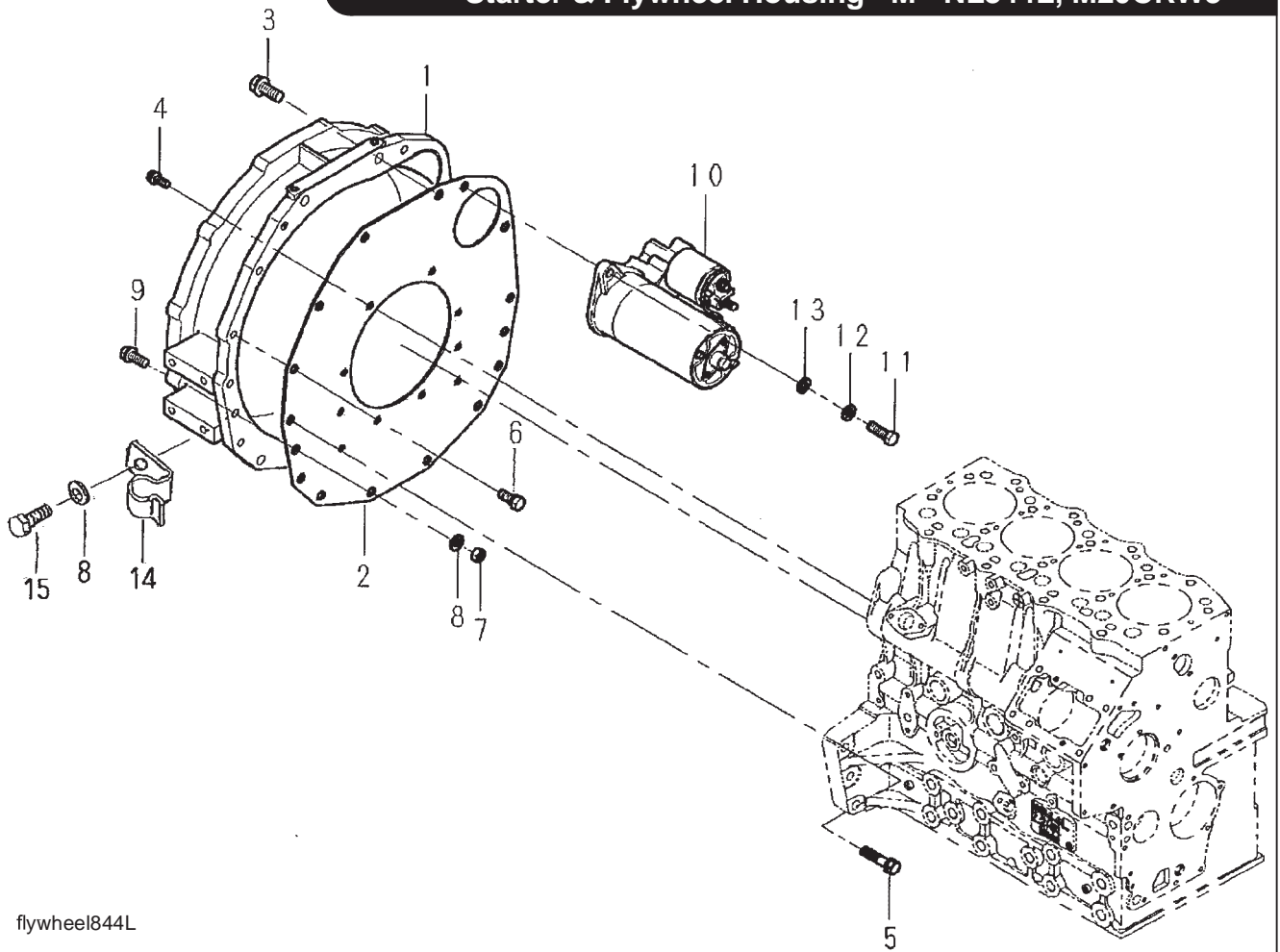
Starter & Flywheel Housing L - M - NL844



flywheel844

KEY	PART NUMBER	QTY	DESCRIPTION	SERIAL NUMBER
1	110446890	1	Flywheel Housing - Marine SAE #4	-
	110446880	1	Flywheel Housing - Industrial SAE #4	-
2	011500820	10	Bolt	-
3	185086551	1	Starter - 12 Volt - Standard Ground (marked M001T66081)*	-
	22-42059	1	Starter - 12 Volt - Isolated Ground	-
	22-42081	1	Starter - 24 Volt - Standard Ground	-
	22-42082	1	Starter - 24 Volt - Isolated Ground	-
4	12-00832	2	Capscrew, Hex Head M10 x 1.5 x 30 mm (12 Volt Starters)	-
	12-00814	2	Capscrew, Hex Head M10 x 1.5 x 35 mm (24 Volt Starters)	-
5	15-00802	2	Lock Washer, M10	-
7	23-72003	1	Bracket	-
8	027100010	1	Lock Washer	-
9	199436350	2	Bolt	-
			} for marine and propulsion units only	
			*See parts detail.	

Starter & Flywheel Housing M - NL844L, M20CRW3

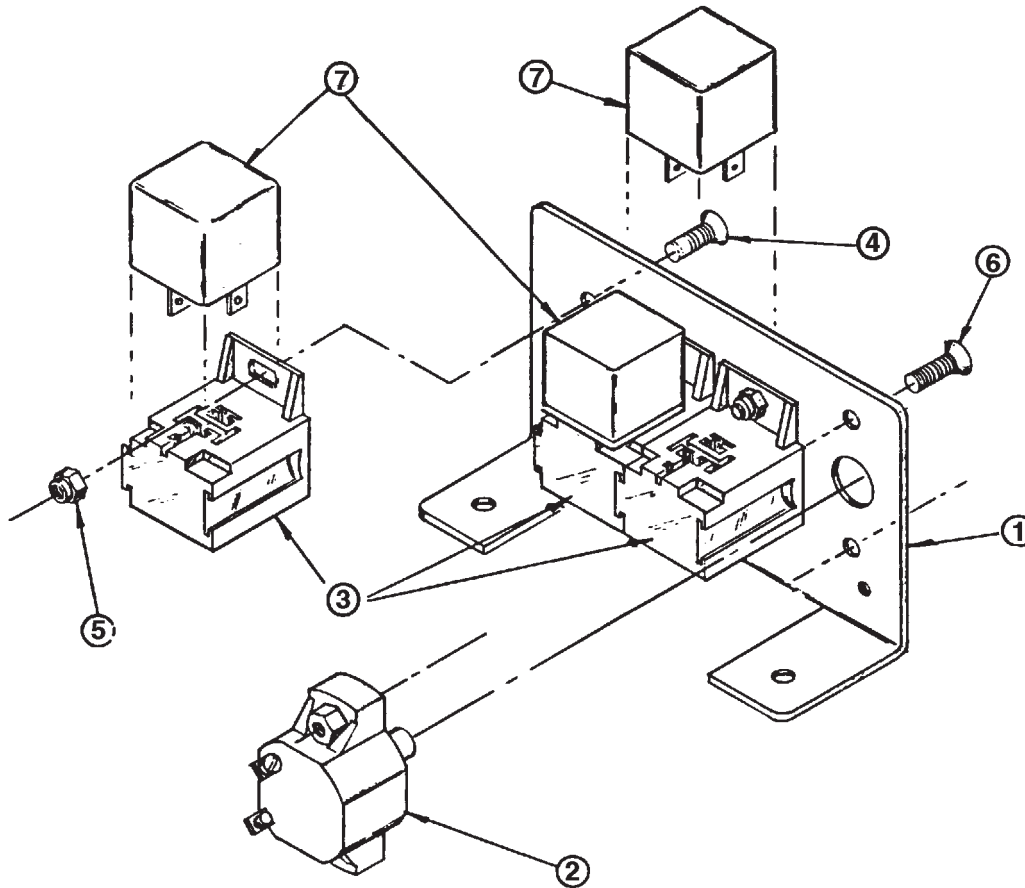


flywheel844L

KEY	PART NUMBER	QTY	DESCRIPTION	SERIAL #
1	110446991	1	Flywheel Housing - Marine SAE #4	-
	110447000	1	Flywheel Housing - Industrial SAE #4	-
	110446960	1	Flywheel Housing - Commercial SAE #4	-
2	110367590	1	Back Plate - Marine	-
	110367610	1	Back Plate - Industrial	-
	110367580	1	Back Plate - Commercial	-
3	011511235	2	Bolt	-
4	011510816	10	Bolt	-
5	011511045	6	Bolt	-
6	011511020	2	Bolt	-
7	020900010	4	Nut	-
8	027100010	5	Spring Washer	-
9	010211030	4	Bolt	-
10	185086551	1	Starter - 12 Volt - Standard Ground (marked M001T66081, see parts detail)	-
	22-42059	1	Starter - 12 Volt - Isolated Ground	-
	22-42081	1	Starter - 24 Volt - Standard Ground	-
	22-42082	1	Starter - 24 Volt - Isolated Ground	-
11	12-00832	2	Capscrew, Hex Head M10 x 1.5 x 30 mm (12 Volt Starters)	-
	12-00814	2	Capscrew, Hex Head M10 x 1.5 x 35 mm (24 Volt Starters)	-
12	15-00802	2	Lock Washer, M10	-
13	026100010	2	Washer	-
14	23-72003	1	Bracket (Marine only)	-
15	199436350	1	Bolt (Marine only)	-

GROUP 5 – ELECTRICAL SYSTEM

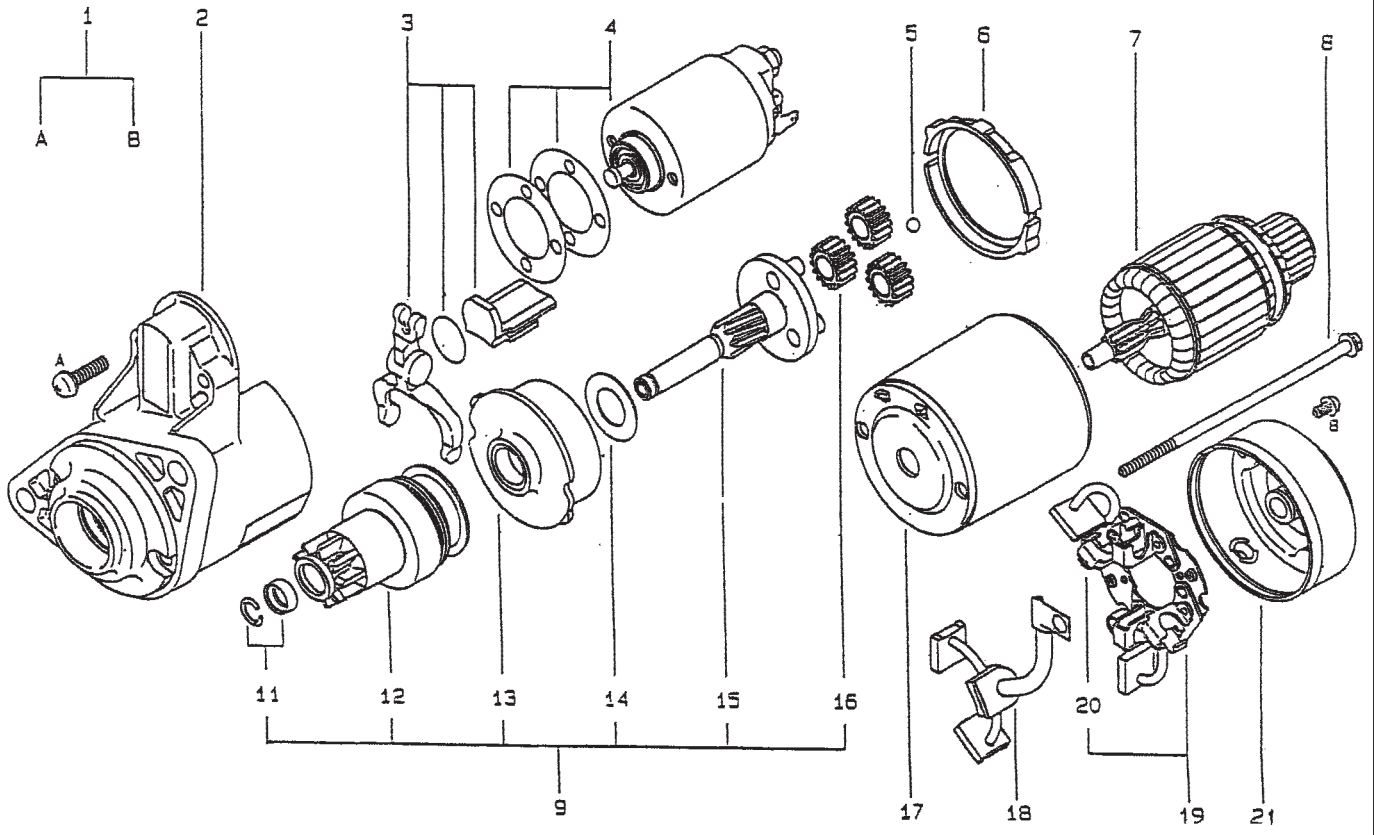
Wire Harness, Circuit Breaker, & Relay Panel L844



B-3139

KEY	PART NUMBER	QTY	DESCRIPTION	SERIAL NUMBER
••	22-48404	1	Wire Harness Assembly (includes keys #1-6)	-
1	23-40010	1	Bracket	-
2	22-41070	1	40 AMP Circuit Breaker	-
3	22-40391	2	Relay Base	-
	22-40393	2	Terminal Retainer (not shown)	-
4	12-03010	3	Machine Screw, Flathead Countersunk #10 - 32 x 3/8"	-
5	14-00001	5	Hex Nut, #10 - 32	-
6	12-03011	2	Machine Screw, Flathead Countersunk #10 - 32 x 1"	-
7	22-44820	2	Relay, 12 Volt SPST	-
	22-44821	2	Relay, 24 Volt SPST	-

Starter 12 Volt Standard Ground



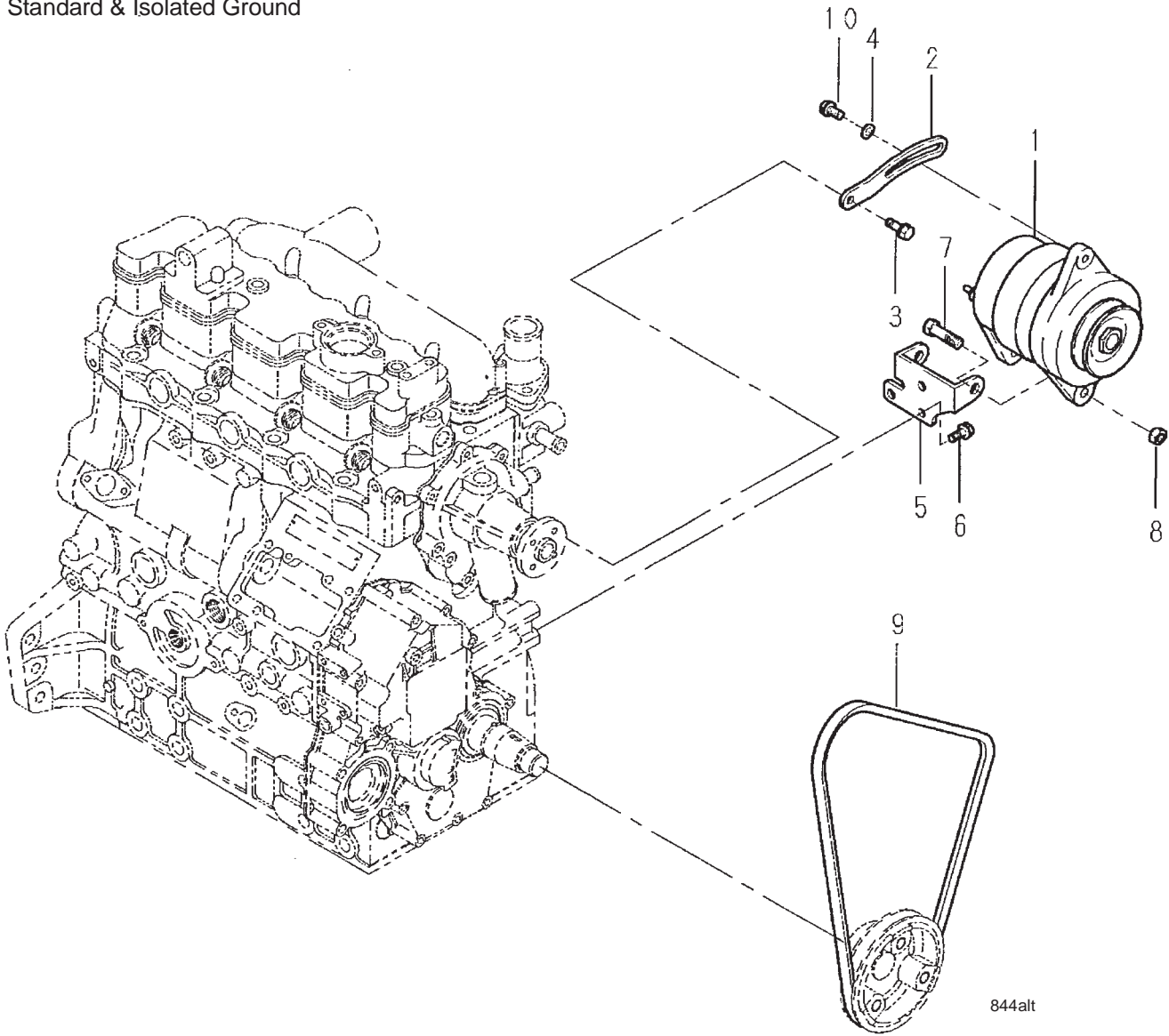
starter844

KEY	PART NUMBER	QTY	DESCRIPTION	SERIAL NUMBER
••	185086551	1	Starter (includes keys #1 - 21)	-
1	185846468	1	Screw Set	-
2	185846610	1	Front Cover	-
3	185846615	1	Lever Assembly	-
4	185816340	1	Switch Assembly	-
5	185846616	1	Ball	-
6	185846617	1	Packing	-
7	185846618	1	Armature Set	-
8	185846621	1	Bolt Set	-
9	185866391	1	Clutch Shaft Assembly (includes keys #11- 16)	-
11	185846614	1	Stopper Set	-
12	185866411	1	Pinion Set	-
13	185846612	1	Internal Gear Assembly	-
14	185846611	1	Washer	-
15	185866400	1	Gear Shaft Assembly	-
16	185846613	1	Gear Assembly	-
17	185846619	1	Yoke Assembly	-
18	185416490	1	Brush Assembly	-
19	185416500	1	Brush Holder Assembly	-
20	185886070	1	Brush Spring Set	-
21	185846620	1	Rear Bracket Assembly	-

GROUP 5 – ELECTRICAL SYSTEM

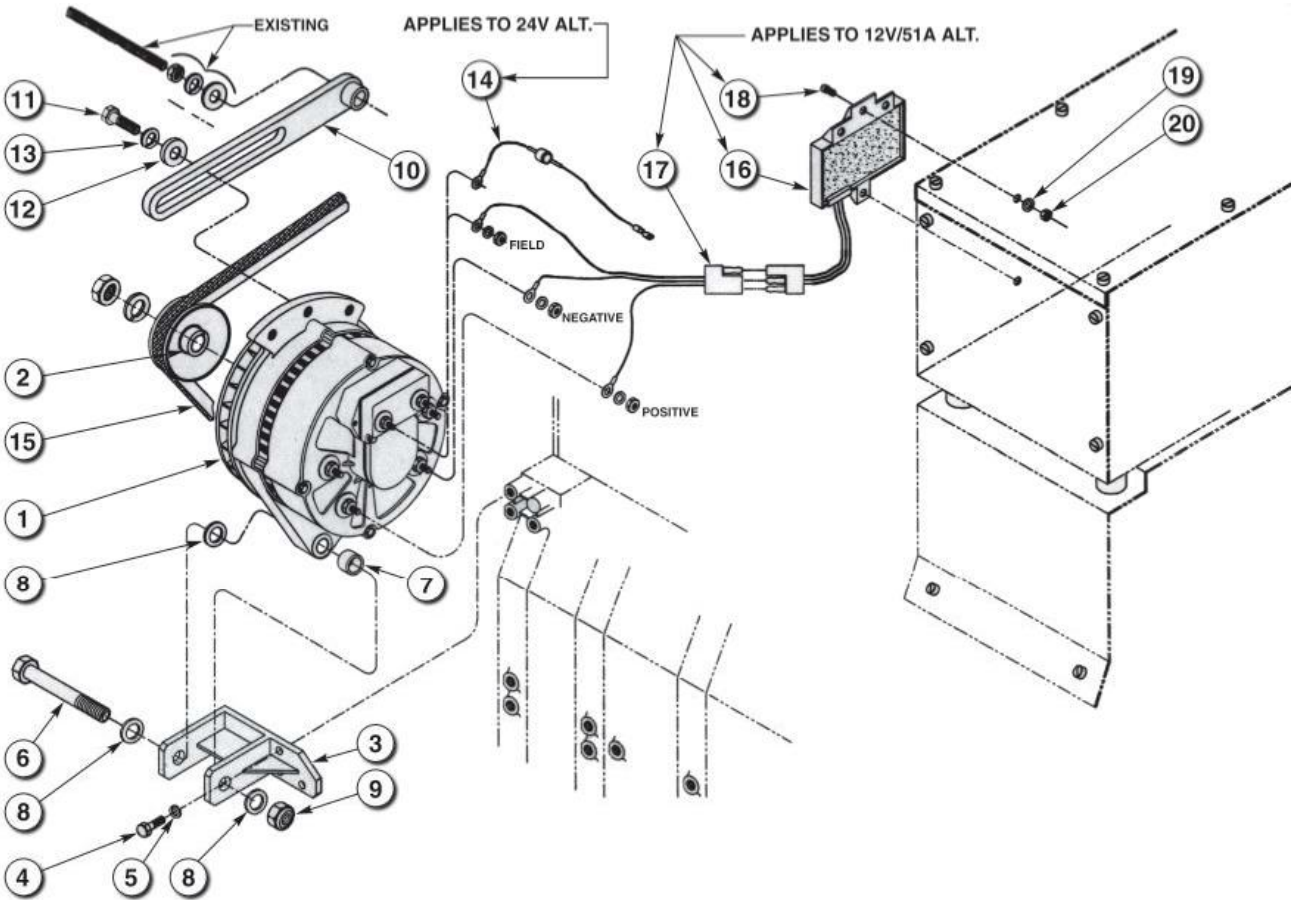
Small Frame Alternators & Mounting

Standard & Isolated Ground



KEY	PART NUMBER	QTY	DESCRIPTION	SERIAL NUMBER
1	185046320	1	Alternator 12 Volt/ 40 Amp Standard Ground (see parts detail)	-
	22-42032	1	Alternator 12 Volt/ 40 Amp Isolated Ground	-
	22-42088	1	Alternator 24 Volt/ 25 Amp Standard Ground	{ from s/n xxxx-47027C (M844) { from s/n xxxx-47168C (M844L)
	22-42089	1	Alternator 24 Volt/ 25 Amp Isolated Ground	
2	185727000	1	Tensioner	-
3	011500820	1	Bolt	-
4	026109017	1	Washer	-
5	185976510	1	Bracket	-
6	011500816	3	Bolt	-
7	010301035	2	Bolt	-
8	023100010	2	Nut	-
9	40-02003	1	Drive Belt (844)	-
	40-08401	1	Drive Belt (844L & M20CRW3)	-
10	011510825	1	Bolt	-

Medium Frame Alternator Options 12V/51 Amp & 24V/35 & 40 Amp

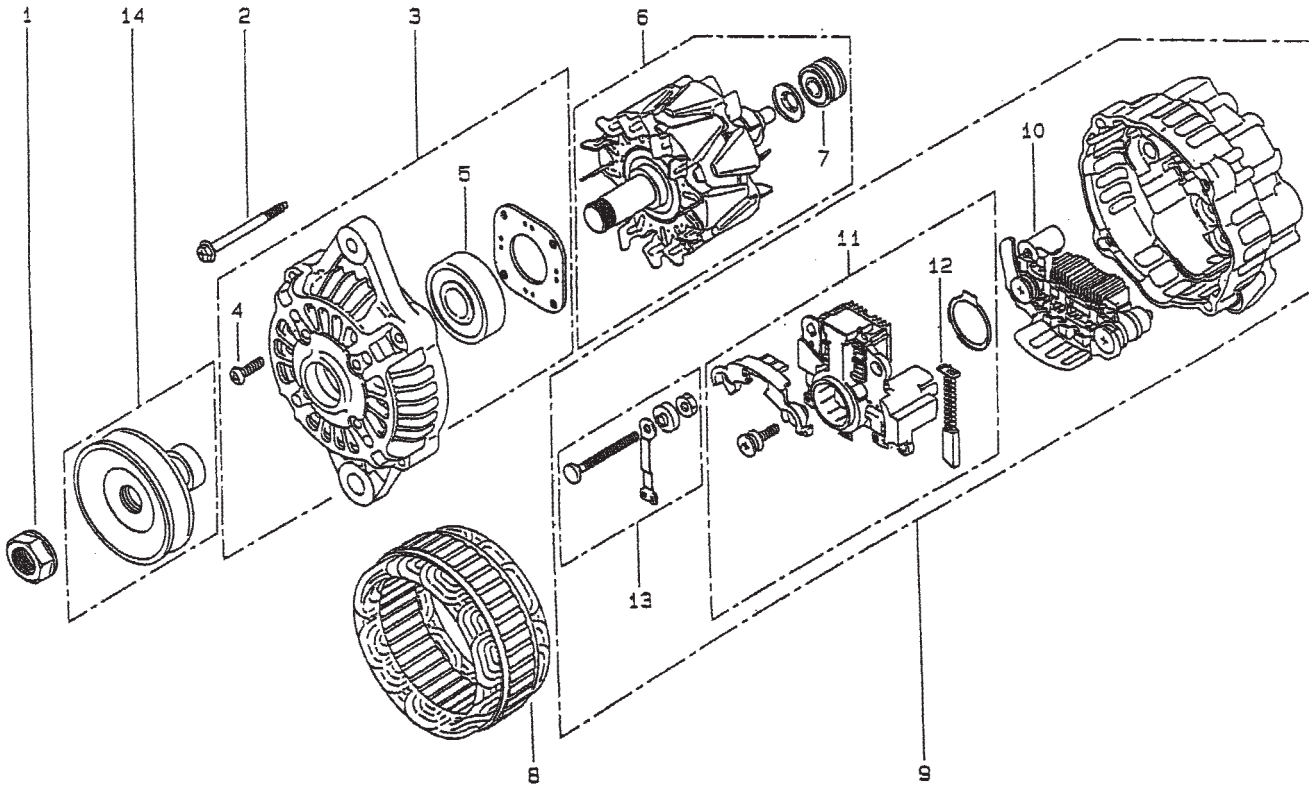


A-7631, A-7632, A-7633, A-7634, A-7635, A-7636 & D-2926

KEY	PART NUMBER	QTY	DESCRIPTION	SERIAL NUMBER
1	22-40333	1	Alternator 12 Volt/51 Amp Isolated Ground	-
	22-40278	1	Alternator 24 Volt/40 Amp Standard Ground	-
	22-71052	1	Alternator 24 Volt/35 Amp Isolated Ground	-
2	34-42001	1	Pulley 1-A x 2-1/2" x 5/8" ID	-
	23-43107	1	Bracket, Alternator Mounting	-
4	12-00711	3	Capscrew, Hex Head M8 x 1.25 x 20 mm	-
	15-00702	3	Lock Washer, Helical M8	-
	12-00519	1	Capscrew, Hex Head 1/2-13 x 2-3/4"	-
7	21-42206	1	Spacer	-
8	15-00504	**	Flat Washer, 1/2 SAE	-
9	14-00512	1	Hex Nut, Nylock 1/2-13	-
10	23-42005	1	Tensioning Arm (used with 24 Volt/35 Amp Alternator)	-
	23-42006	1	Tensioning Arm (used with 12 Volt/51 Amp & 24 Volt/40 Amp Alternators)	-
11	12-00212	1	Capscrew, Hex Head 5/16-18 x 1"	-
12	15-00201	1	Stud Washer 5/16	-
13	15-00202	1	Lock Washer, Helical 5/16	-
14	22-70048	1	Diode Harness Addition	-
15	40-02005	1	Drive Belt (844)	-
	40-74501	1	Drive Belt (844L & M20CR, CRW)	-
16	22-40334	1	D.C. Voltage Regulator, 12V, Adjustable	-
17	16-1	1	Wire Harness 36"	-
18	12-00001	2	Machine Screw #10-32 x 3/4" s/s	} 12 Volt / 51 Amp Alternator Only
19	15-70002	2	Flat Washer #10 s/s	
20	14-00032	2	Hex Nut, Nylock #10 s/s	
			**As required	

GROUP 5 – ELECTRICAL SYSTEM

Alternator Assembly 12 Volt/35 Amp: Standard Ground

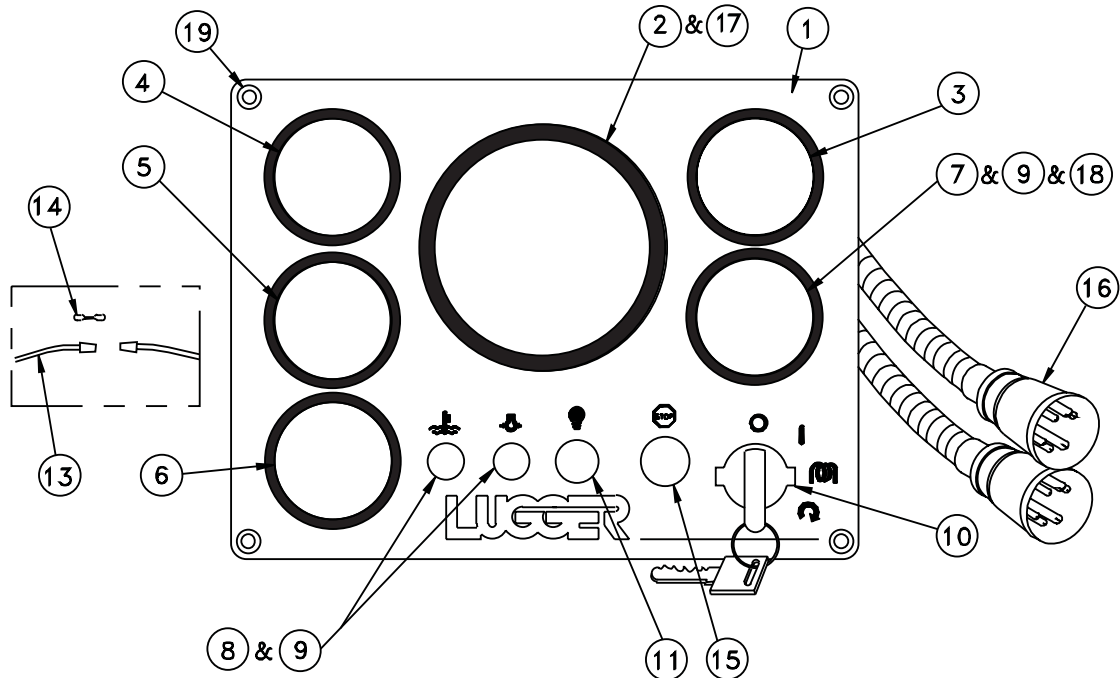


altassembly844

KEY	PART NUMBER	QTY	DESCRIPTION	SERIAL NUMBER
••	185046320	1	Alternator Assembly (includes all keys)	-
1	185446269	1	Nut	-
2	185446270	1	Screw Set	-
3	185426210	1	Front Cover Assembly	-
4	185446271	1	Screw Set	-
5	185446272	1	Ball Bearing	-
6	185446273	1	Rotor Assembly	-
7	185466274	1	Ball Bearing	-
8	185446275	1	Stator Assembly	-
9	185426220	1	Rear Cover Assembly	-
10	185446276	1	Rectifier Assembly	-
11	185446277	1	Regulator Assembly	-
12	185416480	2	Brush Set	-
13	185446278	1	Connector	-
14	185436180	1	Pulley Assembly	-

Main Instrument Panel 12 Volt

L844



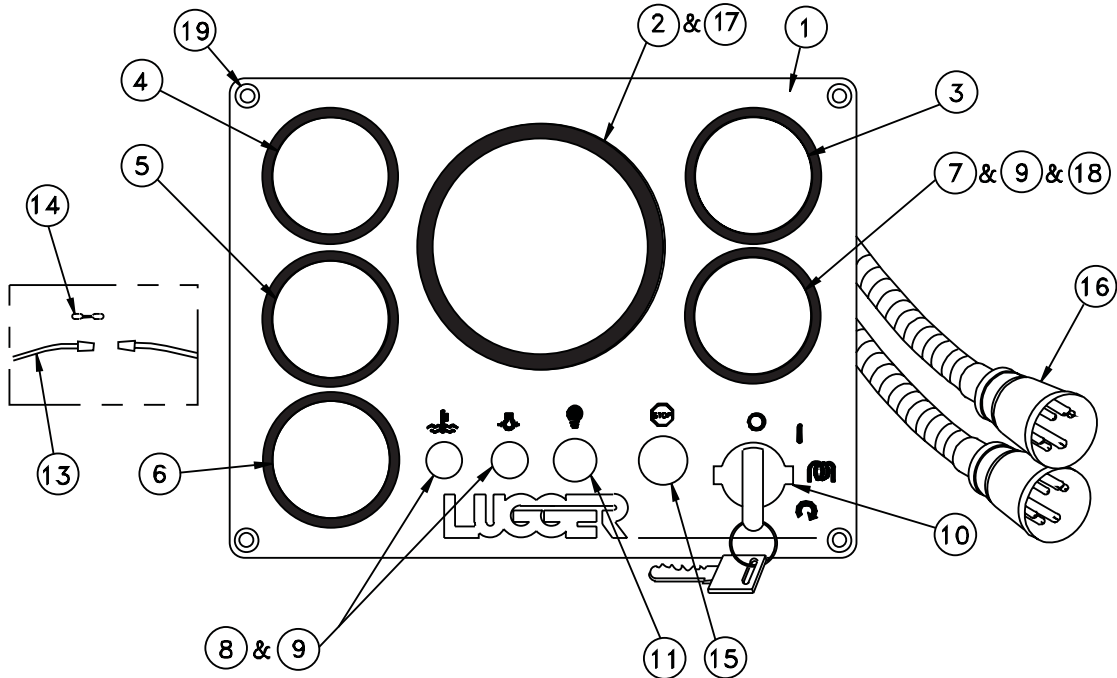
A-11651, A-11521 / B-4734-2changed

KEY	PART NUMBER	QTY	DESCRIPTION	SERIAL NUMBER
••	22-98110	1	Main Instrument Panel, 12 Volt (includes all keys)	-
1	28-90031	1	Plate, Main Instrument Panel	-
2	37-90069	1	Tachometer 0 -3500 RPM 12/24 Volt	-
3	37-90072-1	1	Voltmeter 8 -16 VDC	-
4	37-90075-1	1	Temperature Gauge 250°F 12 Volt	-
5	37-90081-1	1	Oil Pressure Gauge 0 -80 PSI 12 Volt	-
6	22-40263-1	1	Alarm Horn 12/ 24 Volt	-
7	37-90074-1	1	Hourmeter 12/ 24 Volt	-
8	22-44851	2	Lamp Holder, Amber Lens	-
9	22-44852	2	Bulb, Clear 12 Volt	-
10	37-94803	1	Key Switch	-
11	22-40247	1	Toggle Switch, SPST maintained	-
12	22-41060	2	Diode 6 Amp 50 Volt (not shown)	-
13	22-00044	1	Fuse Holder, In-line 15 Amp 32 Volt	-
14	22-41008	1	Fuse 7- 1/2 Amp 240 VAC/DC	-
15	00-40008	1	Plug, 5/8" O.D., Black Nylon	-
16	22-44859	1	Wire Harness	-
17	16-01002	1	O-ring	-
18	22-44861	2	Bulb Diffuser, Red	-
19	12-90002	4	Self-tapping Screw	-
20	00-90043	1	Label, Panel Electrical Load Warning (not shown)	-
21	00-00013	1	Label, "12 Volt" (not shown)	-

GROUP 5 – ELECTRICAL SYSTEM

Main Instrument Panel 24 Volt

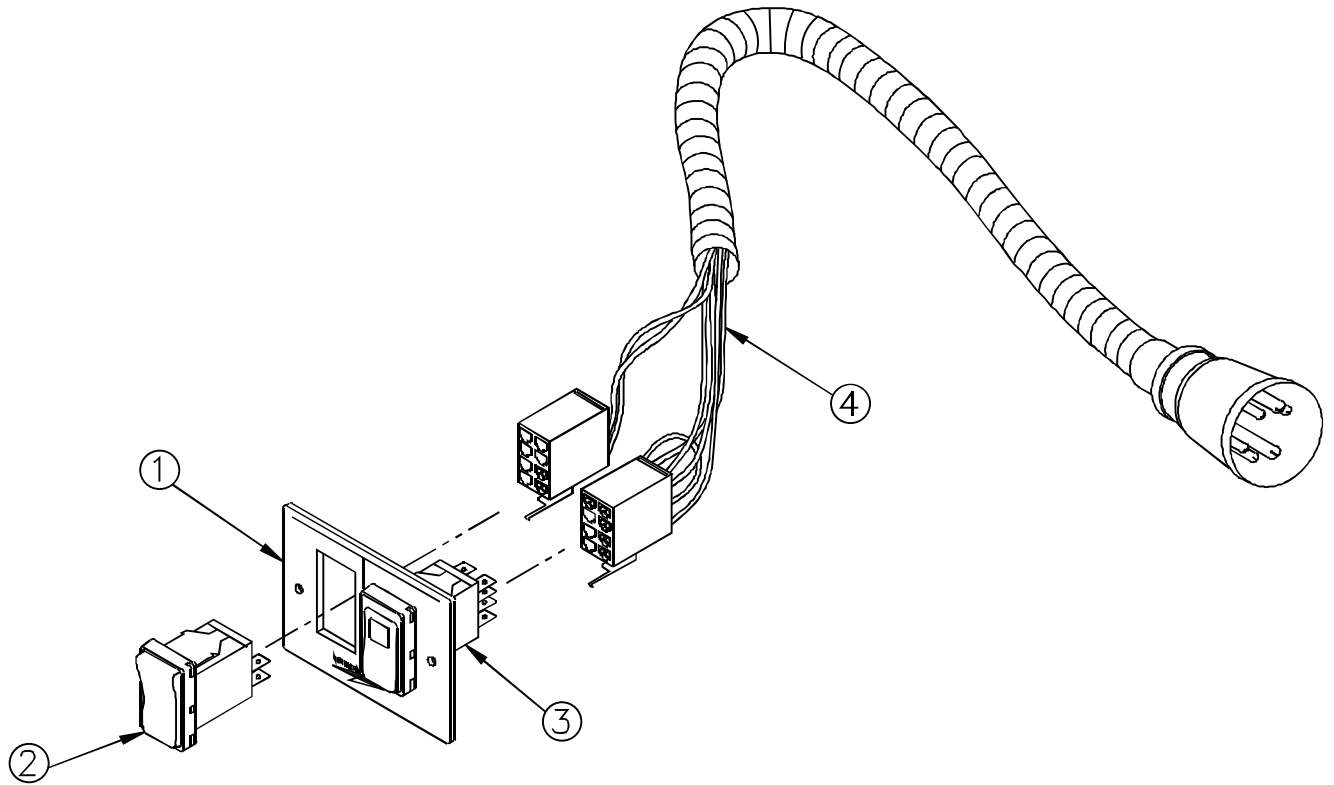
L844



A-119300, A-11522 / B-4734-2changed

KEY	PART NUMBER	QTY	DESCRIPTION	SERIAL NUMBER
••	22-98115	1	Main Instrument Panel, 24 Volt (includes all keys)	-
1	28-90031	1	Plate, Main Instrument Panel	-
2	37-90069	1	Tachometer 0 -3500 RPM 12/24 Volt	-
3	37-90073-1	1	Voltmeter 18 -32 VDC	-
4	37-90076-1	1	Temperature Gauge 250°F 24 Volt	-
5	37-90082-1	1	Oil Pressure Gauge 0 -80 PSI 24 Volt	-
6	22-40263-1	1	Alarm Horn 12/ 24 VDC	-
7	37-90074-1	1	Hourmeter 12/ 24 Volt	-
8	22-44851	2	Lamp Holder, Amber Lens	-
9	22-44853	2	Bulb, Clear 24 Volt	-
10	37-94803	1	Key Switch	-
11	22-40247	1	Toggle Switch, SPST maintained	-
12	22-41060	2	Diode 6 Amp 50 Volt (not shown)	-
13	22-00044	1	Fuse Holder, In-line 15 Amp 32 Volt	-
14	22-41008	1	Fuse 7- 1/2 Amp 240 VAC/DC	-
15	00-40008	1	Plug, 5/8" O.D., Black Nylon	-
16	22-44859	1	Wire Harness	-
17	16-01002	1	O-ring	-
18	22-44861	2	Bulb Diffuser, Red	-
19	12-90002	4	Self-tapping Screw	-
20	00-90043	1	Label, Panel Electrical Load Warning (not shown)	-
21	00-00014	1	Label, "24 Volt" (not shown)	-

S-1 Control Panel 12 & 24 Volt



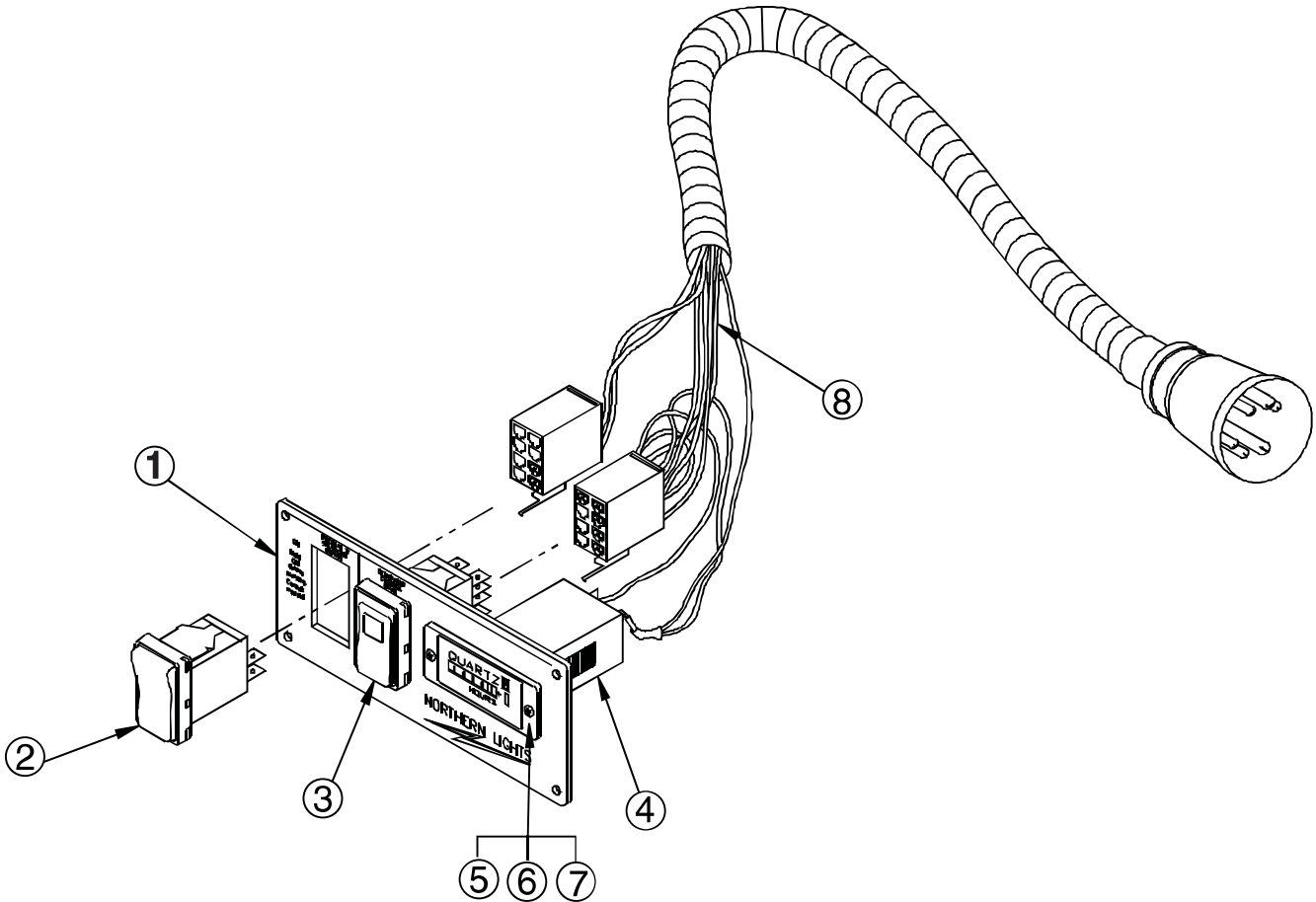
A-8551, A-8552 / B-5970

KEY	PART NUMBER	QTY	DESCRIPTION	SERIAL NUMBER
••	22-92110	1	S-1 Start/Stop Control Panel, 12 Volt (includes all keys)	-
••	22-92115	1	S-1 Start/Stop Control Panel, 24 Volt (includes all keys)	-
1	00-40013	1	Plate, S-1 Control Panel	-
2	22-90167	1	Rocker Switch	-
3	22-90168	1	Rocker Switch	-
4	22-42066	1	Wire Harness, 12 Volt	-
	22-42067	1	Wire Harness, 24 Volt	-
5	00-00013	1	Label "12 Volt" *	-
	00-00014	1	Label "24 Volt" *	-
6	22-40012	1	Resistor, 200 Ohm, 3 Watt (24 Volt Panel only) *	-
			*Not shown	

GROUP 5 – ELECTRICAL SYSTEM

Series 1-B Start-Stop Control Panel

12 and 24 Volts, Late Production

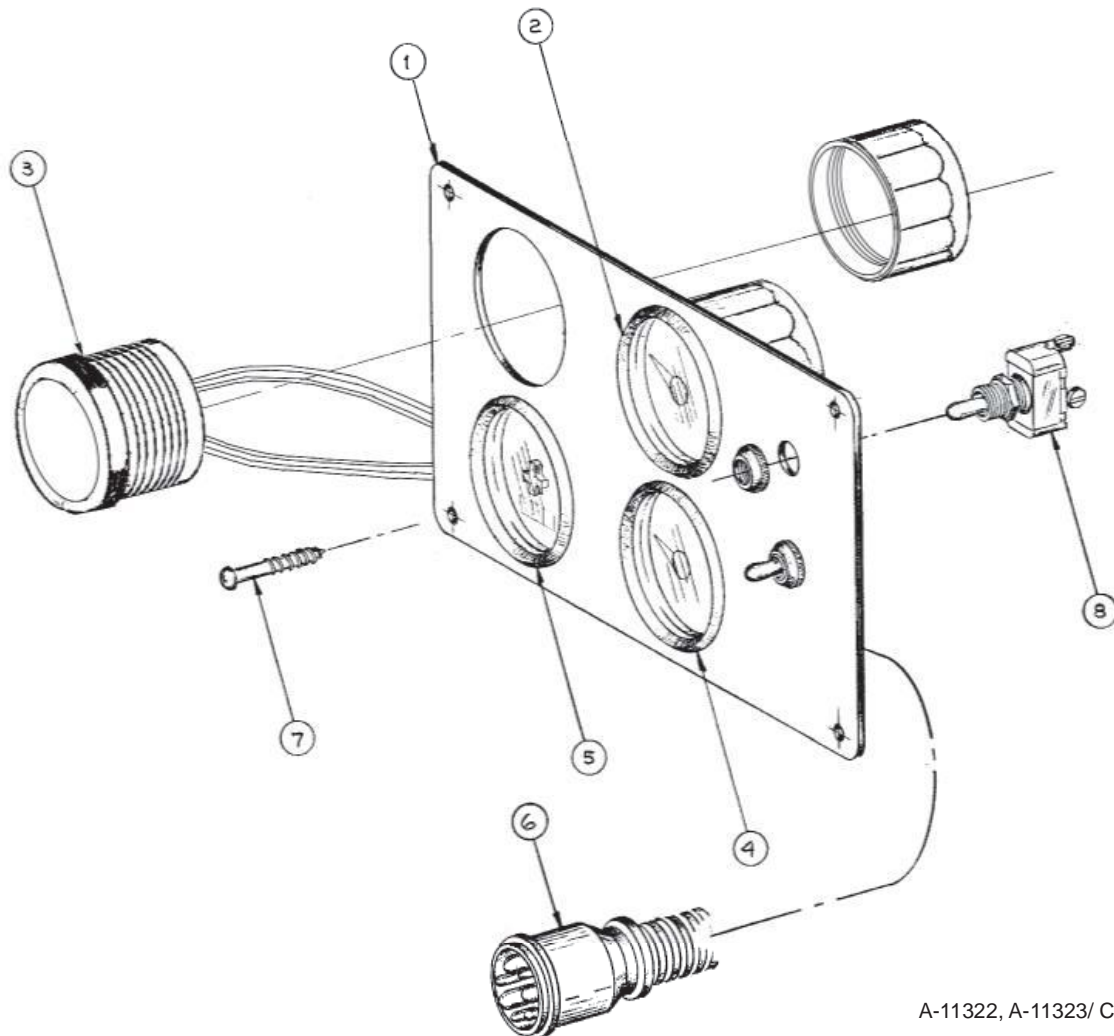


A-8553/ B-5971

KEY	PART NUMBER	QTY	DESCRIPTION	SERIAL NUMBER
••	22-92120	1	S 1-B Start/Stop Control Panel - 12 Volt (includes all keys)	-
••	22-92125	1	S 1-B Start/Stop Control Panel - 24 Volt (includes all keys)	-
1	28-90003	1	Plate	-
2	22-90167	1	Rocker Switch	-
3	22-90168	1	Rocker Switch	-
4	22-90009	1	Hour Meter	-
5	12-00093	2	Machine Screw, Round Head Philips #6 - 32 x 1/2"	-
6	15-00030	2	Star Washer, Internal #6, Stainless Steel	-
7	14-00015	2	Hex Nut #6 - 32, Stainless Steel	-
8	22-42063	1	Wire Harness - 12 Volt Panels	-
	22-42064	1	Wire Harness - 24 Volt Panels	-

S-3C Control Panel 12 & 24 Volt

VDO Ocean Line Black Bezel Gauges



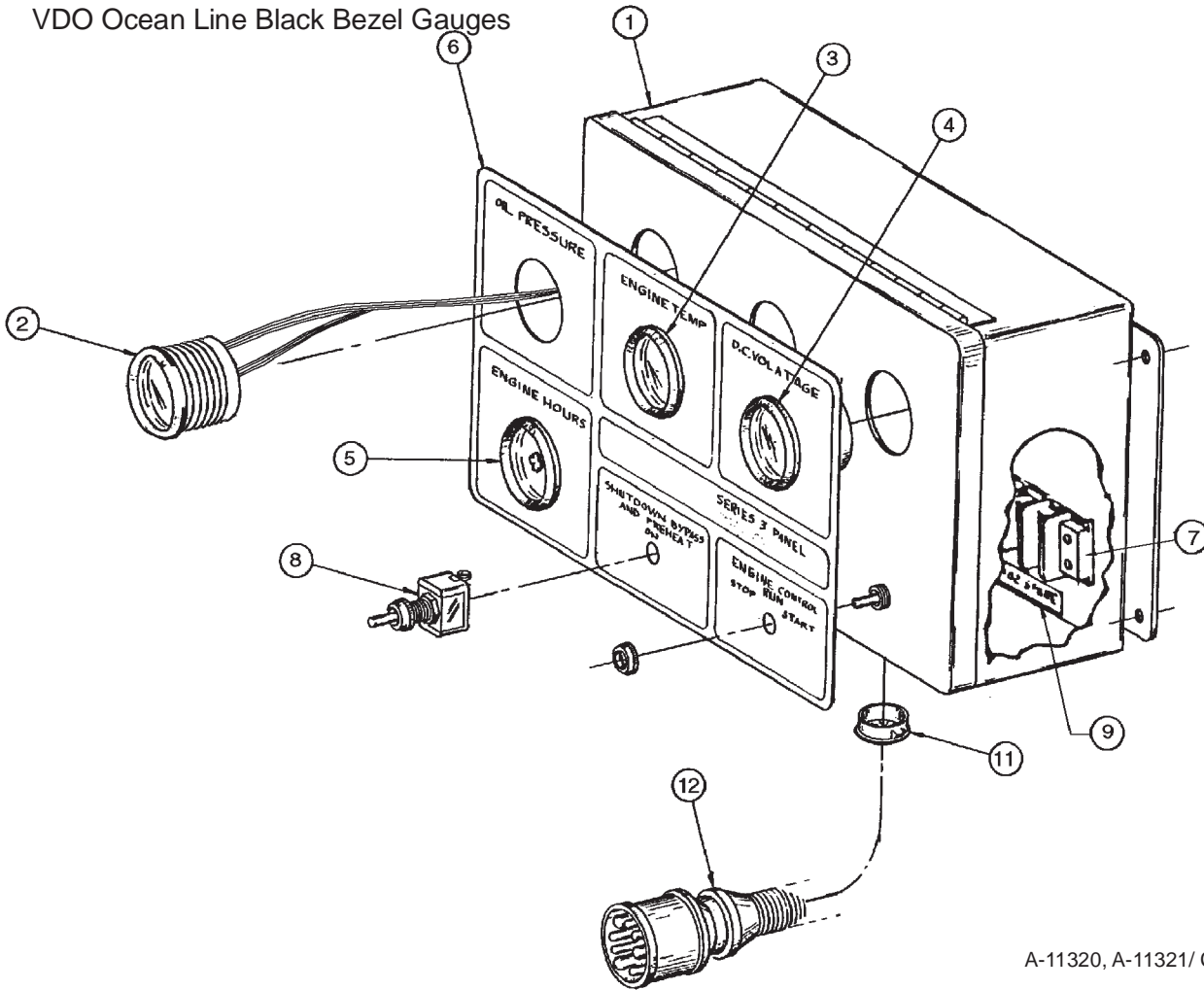
A-11322, A-11323/ C-2441

KEY	PART NUMBER	QTY	DESCRIPTION	SERIAL NUMBER
••	22-91211	1	S-3C Control Panel, 12 Volt (includes all keys)	-
••	22-91212	1	S-3C Control Panel, 24 Volt (includes all keys)	-
1	28-90010	1	Panel Plate	-
2	37-90081-1	1	Oil Pressure Gauge, 0-80 PSI 12 Volt	-
	37-90082-1	1	Oil Pressure Gauge, 0-80 PSI 24 Volt	-
3	37-90075-1	1	Temperature Gauge, 0- 250°F 12 Volt	-
	37-90076-1	1	Temperature Gauge, 0- 250°F 24 Volt	-
4	37-90072-1	1	DC Voltmeter, 8 - 16 VDC	-
	37-90073-1	1	DC Voltmeter, 18- 32 VDC	-
5	37-90074-1	1	Hourmeter 12/ 24 Volt	-
6	22-42024	1	Panel Wire Harness	-
7	12-90007	4	Self Tapping Screw, Oval Head Phillips #6 x 3/4"	-
8	22-41051	2	Toggle Switch	-
9	00-00013	1	Label 12 Volt (not shown)	-
	00-00014	1	Label 24 Volt (not shown)	-
10	37-41004	**	12 Volt Bulb (not shown)	-
	37-41003	**	24 Volt Bulb (not shown)	-
			**As required	

GROUP 5 – ELECTRICAL SYSTEM

S-3B Control Panel 12 & 24 Volt

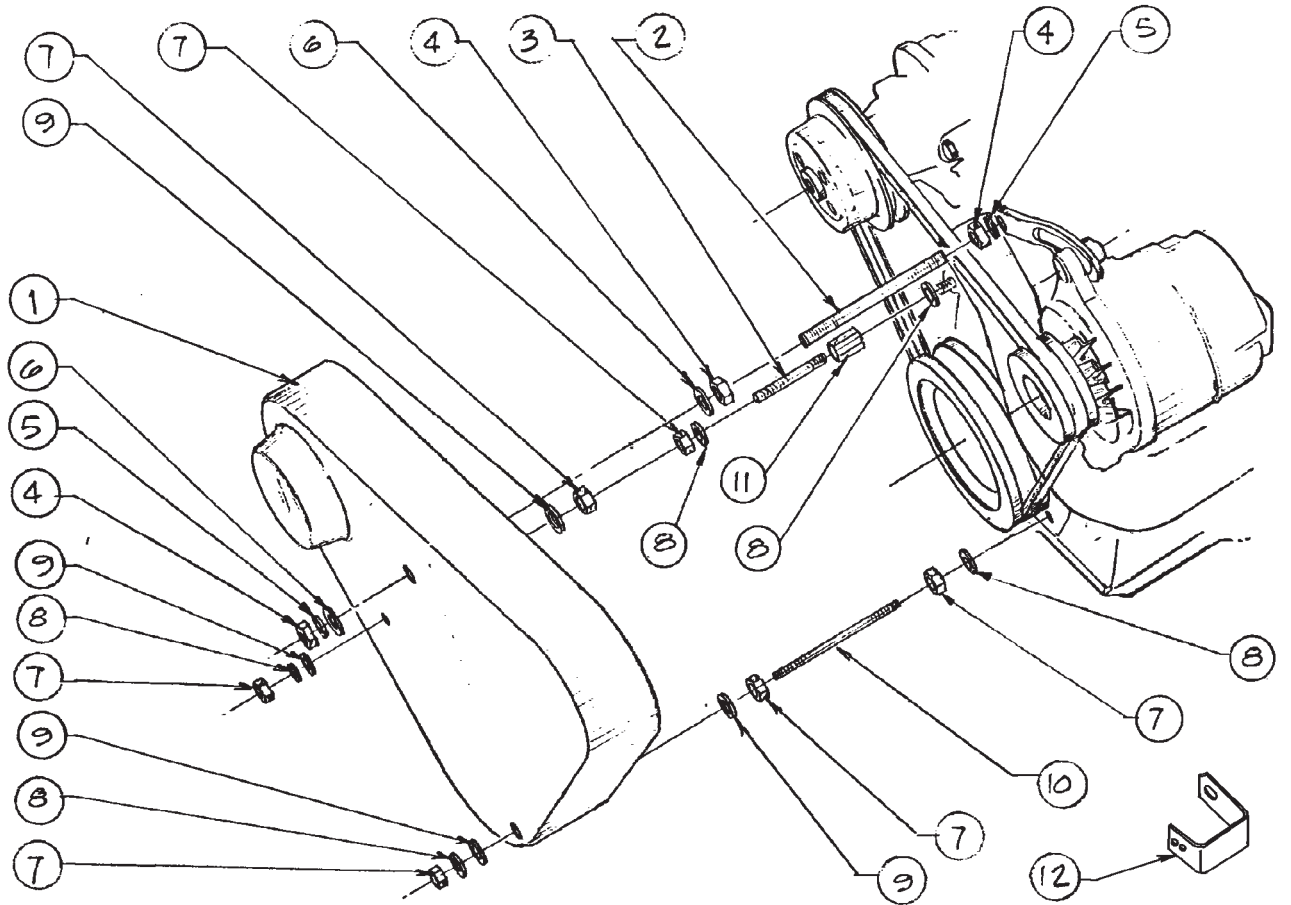
VDO Ocean Line Black Bezel Gauges



A-11320, A-11321/ C-2470

KEY	PART NUMBER	QTY	DESCRIPTION	SERIAL NUMBER
••	22-91201	1	S-3C Control Panel, 12 Volt (includes all keys)	-
••	22-91202	1	S-3C Control Panel, 24 Volt (includes all keys)	-
1	39-40008	1	Enclosure	-
2	37-90081-1	1	Oil Pressure Gauge, 0-80 PSI 12 Volt	-
	37-90082-1	1	Oil Pressure Gauge, 0-80 PSI 24 Volt	-
3	37-90075-1	1	Temperature Gauge, 0- 250°F 12 Volt	-
	37-90076-1	1	Temperature Gauge, 0- 250°F 24 Volt	-
4	37-90072-1	1	DC Voltmeter, 8 - 16 VDC	-
	37-90073-1	1	DC Voltmeter, 18- 32 VDC	-
5	37-90074-1	1	Hourmeter 12/ 24 Volt	-
6	00-91018	1	Panel Decal	-
7	22-41077	1	Terminal Strip	-
8	22-41051	2	Toggle Switch	-
9	22-00052	1	Number Strip	-
10	22-40257	1	Wire Harness (not shown)	-
11	00-40028	1	Grommet	-
12	22-42027	1	Connection Harness	-
13	00-00013	1	Label 12 Volt (not shown)	-
	00-00014	1	Label 24 Volt (not shown)	-
14	37-41004	**	12 Volt Bulb (not shown)	-
	37-41003	**	24 Volt Bulb (not shown)	-
			**As required	

Belt Guard Assembly M844



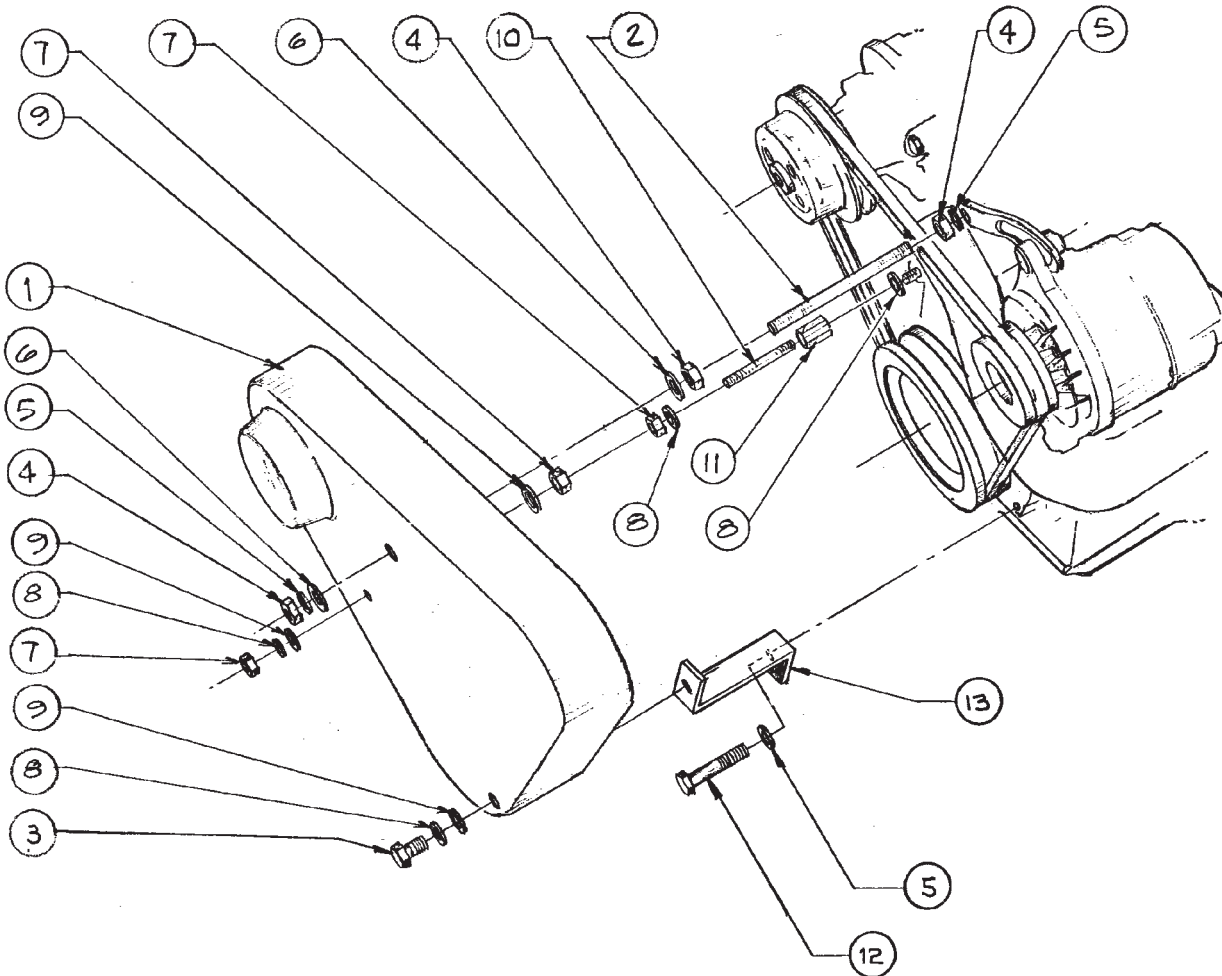
A-5004 / B-3986

KEY	PART NUMBER	QTY	DESCRIPTION	SERIAL NUMBER
1	00-73143	1	Belt Guard, Small Frame Alternators (without PTO)	-
	00-73148	1	Belt Guard, Small Frame Alternators (with PTO)	-
	00-08402	1	Belt Guard, Medium Frame Alternators (without PTO)	-
	00-08401	1	Belt Guard, Medium Frame Alternators (with PTO)	-
2	13-03101	1	Stud, All Thread M8 x 1.25 x 110 mm	-
3	13-03102	1	Stud, All Thread M6 x 1.0 x 140 mm	-
4	14-00711	3	Hex Nut M8 x 1.25	-
5	15-00702	2	Lock Washer M8	-
6	15-00701	2	Flat Washer M8	-
7	14-01131	6	Hex Nut M6 x 1.0	-
8	15-01132	5	Lock Washer M6	-
9	15-00008	4	Flat Washer M6	-
10	13-03103	1	Stud, All Thread M6 x 1.0 x 70 mm	-
11	14-73100	1	Hex Nut, X-L M6 x 1.0 x 19 mm	-
12	23-78403	**	Bracket (used with 00-73148 only)	-
	23-78402	**	Bracket (used with 00-08401 and 00-08402 only)	-
13	00-73147	1	PTO Guard (not shown)	-

**As required

GROUP 5 – ELECTRICAL SYSTEM

Belt Guard Assembly M844L, M20CR, & M20CRW



A-6321 / B-4533

KEY	PART NUMBER	QTY	DESCRIPTION	SERIAL NUMBER
1	00-73143	1	Belt Guard, Small Frame Alternators (without PTO)	-
	00-73148	1	Belt Guard, Small Frame Alternators (with PTO)	-
	00-08402	1	Belt Guard, Medium Frame Alternators (without PTO)	-
	00-08401	1	Belt Guard, Medium Frame Alternators (with PTO)	-
2	13-03101	1	Stud, All Thread M8 x 1.25 x 110 mm	-
3	12-00062	1	Capscrew, Hex Head M8 x 1.25 x 10 mm	-
4	14-00711	2	Hex Nut M8 x 1.25	-
5	15-00702	2	Lock Washer M8	-
6	15-00701	2	Flat Washer M8	-
7	14-01131	3	Hex Nut M6 x 1.0	-
8	15-01132	5	Lock Washer M6	-
9	15-00008	3	Flat Washer M6	-
10	13-03103	1	Stud, All Thread M6 x 1.0 x 70 mm	-
11	14-73100	1	Hex Nut, X-L M6 x 1.0 x 19 mm	-
12	12-01124	1	Capscrew, Hex Head M6 x 1.0 x 50 mm	-
13	23-78401	1	Bracket (not used with PTO applications)	-
14	23-78403	**	Bracket (used with 00-73148 only – not shown)	-
	23-78402	**	Bracket (used with 00-08401 and 00-08402 only – not shown)	-
15	00-73147	1	PTO Guard (not shown)	-
			**As required	

Gasket Sets M844W3 and NL844W3

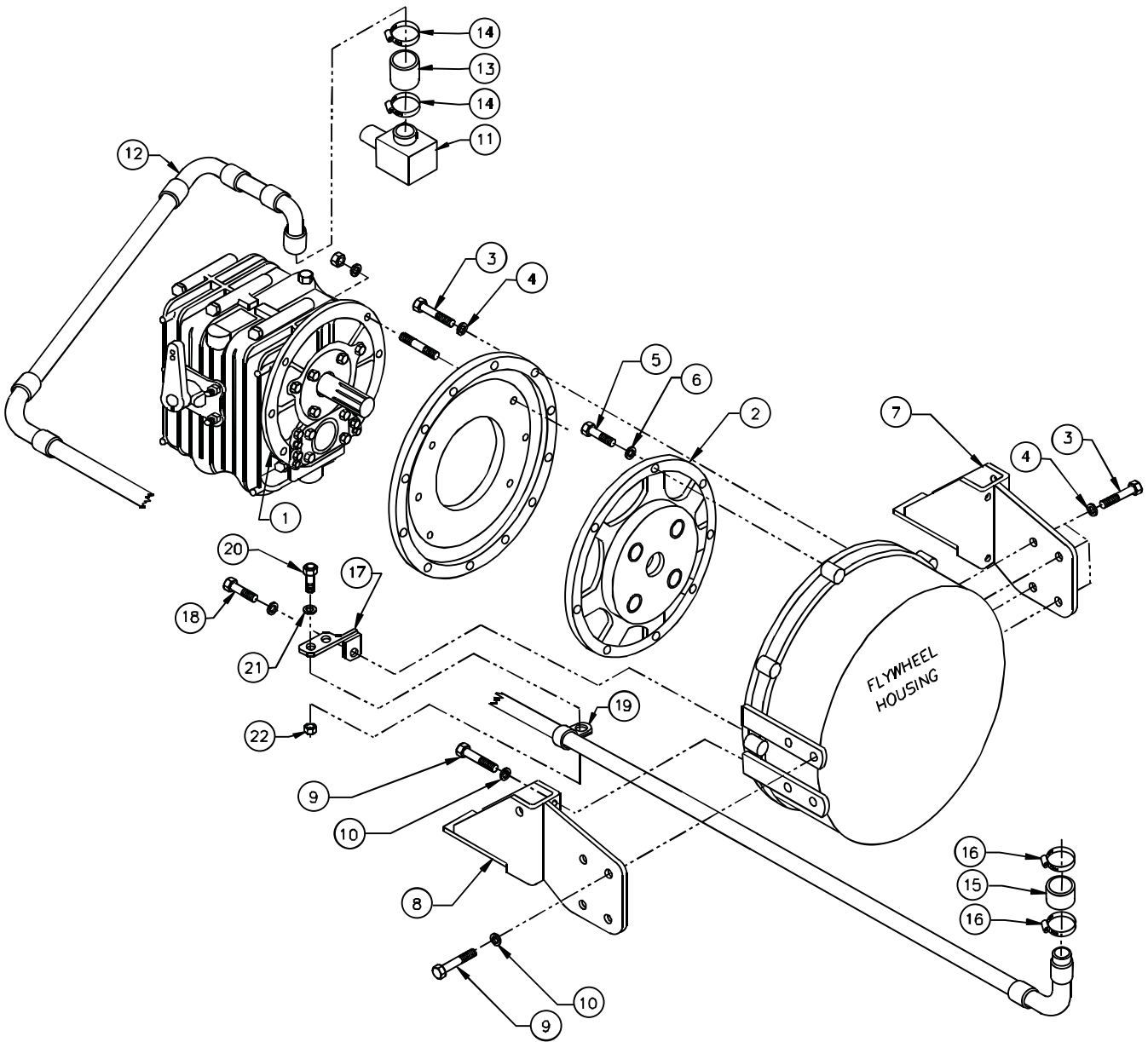
KEY	PART NUMBER	QTY	DESCRIPTION	SERIAL NUMBER
••	29-08102	1	Gasket Set – Marine (includes all keys)	-
••	195907480	1	Gasket Set – Industrial (includes keys #1 - #39)	-
1	198636170	1	Oil Seal, Rear	-
2	052109076	1	O-ring	-
3	110996860	1	Gasket, Oil Pan	-
4	025100012	2	Seal Washer, Oil Pan Drain	-
5	165996540	1	Gasket, Front Plate	-
6	052109108	2	O-ring, Governor Shaft	-
7	052109110	1	O-ring	-
8	165996550	1	Gasket, Timing Gear Case	-
9	198636160	1	Oil Seal, Front	-
10	165996610	1	Gasket, Gear Case Cover	-
11	131426321	1	Adjusting Shim Set, Injection Pump	-
12	025100008	2	Seal Washer, Air Bleed Screw	-
13	140996260	4	Gasket, Banjo Bolt	-
14	111147520	1	Gasket, Head t=1.3	-
15	120406050	4	Valve Guide Seal, Exhaust	-
16	120406070	4	Valve Guide Seal, Intake	-
17	131426200	4	Gasket	-
18	131426230	4	Gasket	-
19	052109076	1	O-ring	-
20	120996130	1	Gasket, Rocker Arm Bracket	-
21	111996401	1	Gasket, Head Cover	-
22	140996270	4	Gasket, Head Cover	-
23	052100400	2	O-ring, Oil Filler Cap	-
24	135996950	1	Gasket, Air Intake	-
25	145996681	1	Gasket, Coolant Pump Set Plate	-
26	145996670	1	Gasket, Coolant Pump	-
27	145996710	1	Gasket, Thermostat Housing	-
28	145996051	1	Gasket, Thermostat Cover	-
29	130516069	4	Gasket, Joint Bolt	-
30	130996130	1	Gasket, Feed Pump	-
31	052109113	2	O-ring, Dipstick Tube	-
32	025100016	1	Seal Washer, Solenoid	-
33	052109078	1	O-ring, Relief Valve	-
34	130326051	5	Gasket, Joint	-
35	135996900	1	Gasket	-
36	135996550	1	Gasket	-
37	135996780	1	Gasket, Exhaust Manifold	-
38	314990030	1	Gasket, Elbow	-
39	052300700	1	O-ring, Gear Case Cover	-
40	11-28101	1	Air Intake Cover Gasket	-
41	11-38101	1	Exhaust Manifold Gasket	-
42	11-13101	1	Thermostat Cover Gasket	-
43	16-13101	1	O-ring	-

GROUP 6 – GASKET SETS

Gasket Sets M844LW3, NL844LW3, and M20CRW3

KEY	PART NUMBER	QTY	DESCRIPTION	SERIAL NUMBER
••	29-08402	1	Gasket Set – Marine (includes all keys)	-
••	195907490	1	Gasket Set – Industrial (includes keys #1 - #39)	-
1	050209083	1	Oil Seal, Rear	-
2	052109076	1	O-ring	-
3	110996860	1	Gasket, Oil Pan	-
4	025100012	2	Seal Washer, Oil Pan Drain	-
5	165996540	1	Gasket, Front Plate	-
6	052109108	2	O-ring, Governor Shaft	-
7	052109110	1	O-ring	-
8	165996550	1	Gasket, Timing Gear Case	-
9	198636160	1	Oil Seal, Front	-
10	165996610	1	Gasket, Gear Case Cover	-
11	131426321	1	Adjusting Shim Set, Injection Pump	-
12	025100008	2	Seal Washer, Air Bleed Screw	-
13	140996260	4	Gasket, Banjo Bolt	-
14	111147771	1	Gasket, Head t=1.3	-
15	120406050	4	Valve Guide Seal, Exhaust	-
16	120406070	4	Valve Guide Seal, Intake	-
17	131426200	4	Gasket, Injector Lower	-
18	131426230	4	Gasket, Injector Upper	-
19	052109076	1	O-ring, Rocker Arm Shaft	-
20	120996130	1	Gasket, Rocker Arm Bracket	-
21	111996401	1	Gasket, Head Cover	-
22	140996270	4	Gasket, Head Cover	-
23	052100400	2	O-ring, Oil Filler Cap	-
24	135996950	1	Gasket, Air Intake	-
25	145996681	1	Gasket, Coolant Pump Set Plate	-
26	145996670	1	Gasket, Coolant Pump	-
27	145996710	1	Gasket, Thermostat Housing	-
28	145996051	1	Gasket, Thermostat Cover	-
29	130516069	4	Gasket, Joint Bolt	-
30	130996130	1	Gasket, Feed Pump	-
31	052109113	2	O-ring, Dipstick Tube	-
32	025100016	1	Seal Washer, Solenoid	-
33	052109078	1	O-ring, Relief Valve	-
34	130326051	5	Gasket, Joint	-
35	135996900	1	Gasket	-
36	135996550	1	Gasket	-
37	135996780	1	Gasket, Exhaust Manifold	-
38	314990030	1	Gasket, Elbow	-
39	052300700	1	O-ring, Gear Case Cover	-
40	11-28101	1	Air Intake Cover Gasket	-
41	11-38101	1	Exhaust Manifold Gasket	-
42	11-13101	1	Thermostat Cover Gasket	-
43	16-13101	1	O-ring	-

Gear Attaching Parts ZF15MIV



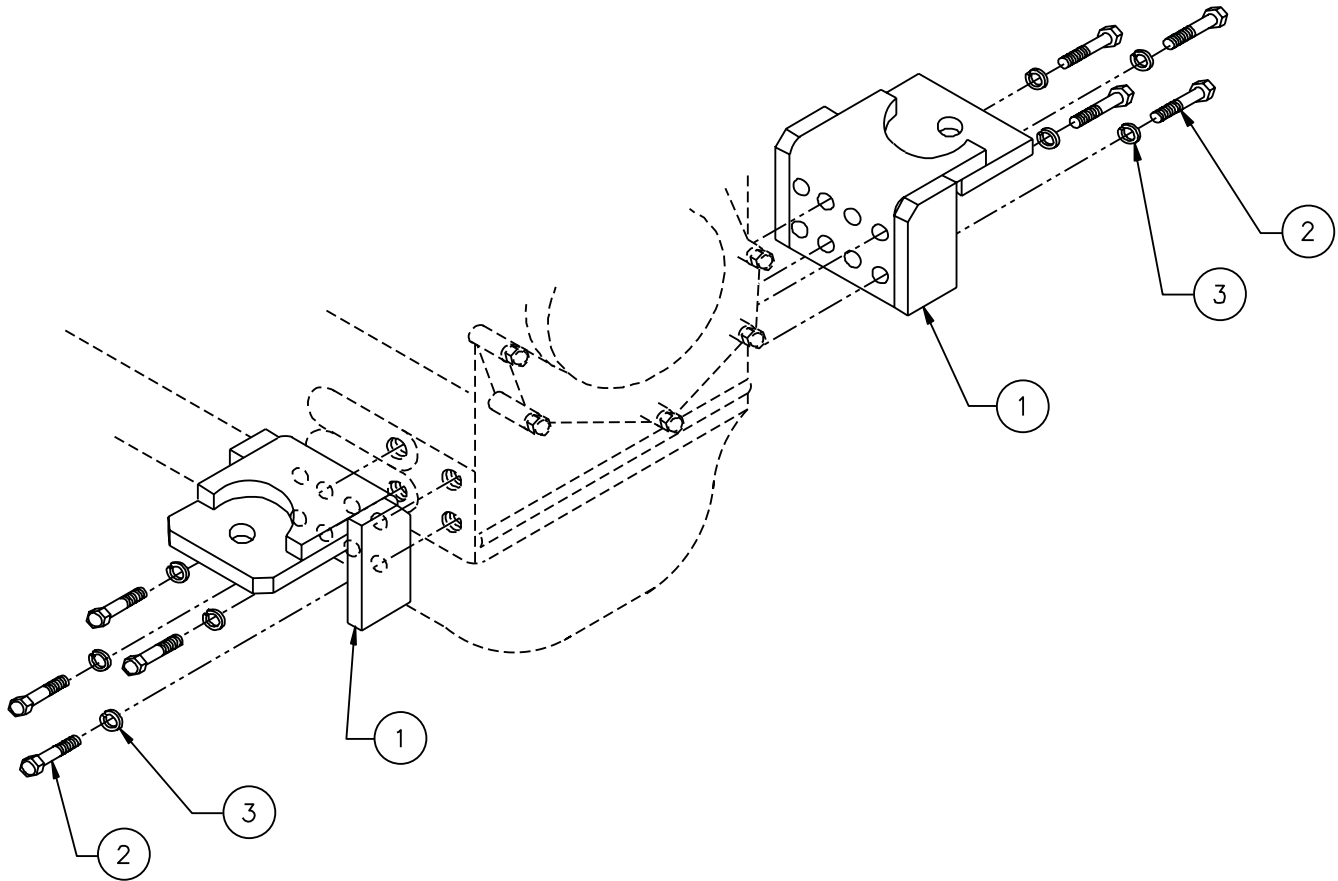
A-10413 / C-5611

Gear Attaching Parts ZF15MIV

KEY	PART NUMBER	QTY	DESCRIPTION	SERIAL NUMBER
1	3306116008	1	Adapter SAE #4	-
2	34-68102	1	Drive Damper, Dual Element	-
3	12-00313	14	Capscrew, Hex Head 3/8- 16 x 1- 1/4"	-
4	15-00302	14	Lock Washer, Helical 3/8"	-
5	12-00212	8	Capscrew, Hex Head 5/16- 18 x 1"	-
6	15-00221	8	Flat Washer 5/16" SAE	-
7	23-88403	1	Bracket, Rear Engine Mounting, Left hand	-
8	23-88404	1	Bracket, Rear Engine Mounting, Right hand	-
9	12-00314	6	Capscrew, Hex Head 3/8- 16 x 1- 1/2"	-
10	15-00302	6	Lock Washer, Helical 3/8"	-
11	3306107001	1	Gear Cooler	-
12	27-68101	1	Tube, Gear Oil Cooler Outlet	-
13	41-01051	2	Hose, 3/4" I.D. 3 Ply Silicone	-
14	19-01010	2	Hose Clamp, #10 Extended Band S/S	-
15	41-01062	3	Hose, 1-1/8" I.D. 3 Ply Silicone	-
16	19-01016	2	Hose Clamp #16 Extended Band S/S	-
17	23-62506	1	Bracket, Plumbing Support	-
18	12-30314	1	Capscrew, Hex Head 3/8- 16 x 1- 1/2" S/S	-
19	19-71030	1	Adelle Clamp 1- 1/8" I.D. x 1/2" Stud	-
20	12-09832	1	Capscrew, Hex Head M10 x 1.5 x 30 mm S/S	-
21	15-09805	2	Flat Washer M10 S/S	-
22	14-09812	1	Hex Nut, Nylock M10 x 1.5 S/S	-

Front Engine Mounting

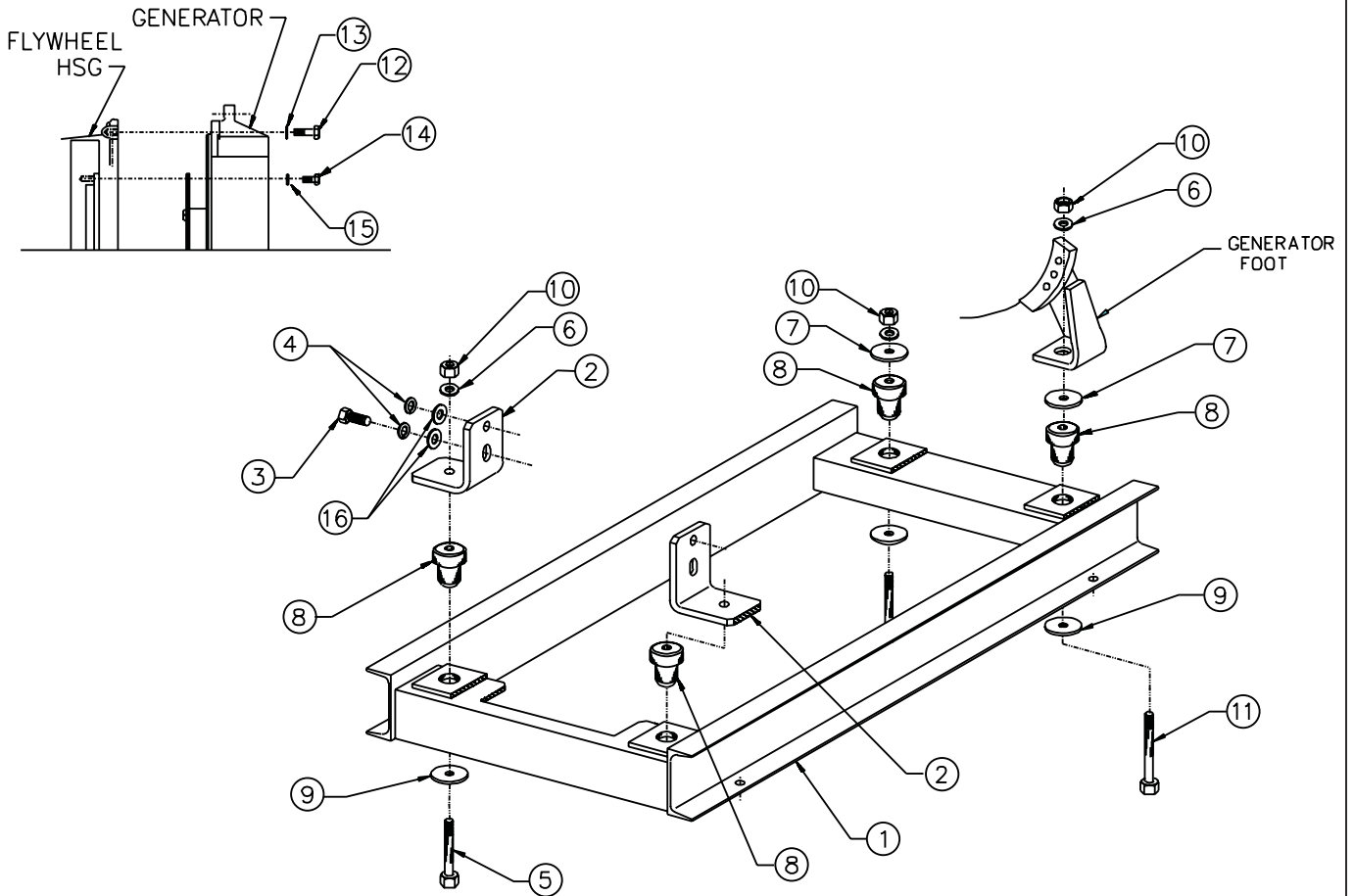
L844



A-10412 / B-8401

KEY	PART NUMBER	QTY	DESCRIPTION	SERIAL NUMBER
1	23-88402	2	Bracket, Front Engine Mounting	-
2	12-01100	8	Capscrew, Hex Head M14 x 1.5 x 30 mm	-
3	15-01402	8	Lock Washer, Helical M14	-

Base Frame Assembly M20CRW3



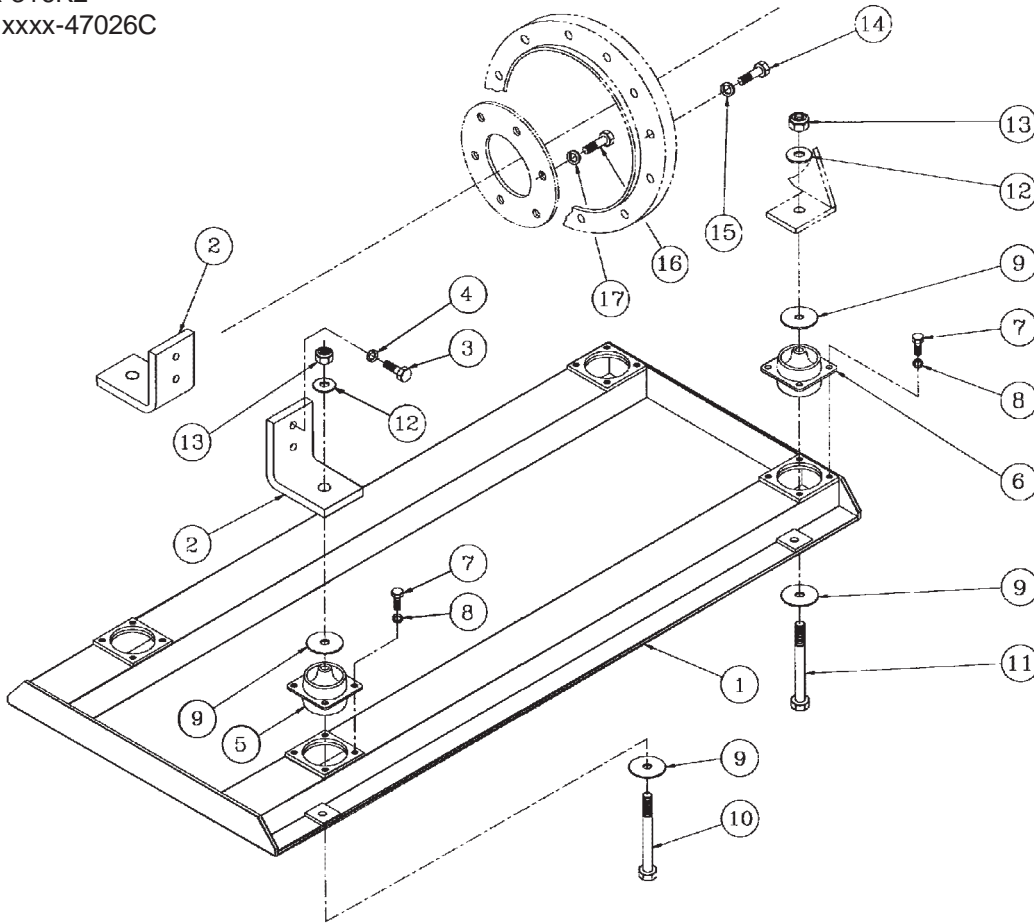
A-9412 / D-3649

KEY	PART NUMBER	QTY	DESCRIPTION	SERIAL NUMBER
1	39-88408	1	Base Frame	-
2	23-88104	2	Bracket	-
3	12-59100	4	Capscrew, Hex Head M14 x 1.5 x 30 mm S/S	-
4	15-09402	4	Lock Washer M14 S/S	-
5	12-09922	2	Capscrew, Hex Head M12 x 1.75 x 90 mm S/S	-
6	15-09007	4	Flat Washer M12 S/S	-
7	15-00016	2	Head Washer	-
8	33-82254	4	Mount, Centerbonded 300 lbs.	-
9	15-00026	4	Tail Washer	-
10	14-09830	4	Hex Nut, Nylock M12 x 1.75 S/S	-
11	12-95501	2	Capscrew, Hex Head M12 x 1.75 x 75 mm S/S	-
12	12-00313	8	Capscrew, Hex Head 3/8-16 x 1-1/4	-
13	15-00302	8	Lock Washer 3/8	-
14	12-00214	8	Capscrew, Hex Head 5/16-18 x 1-1/2"	-
15	15-00202	8	Lock Washer 5/16	-
16	15-09401	4	Flat Washer M14	-

GROUP 8 – FRAME AND MOUNTING

Base Frame Assembly

M844/PX-316K2
up to s/n xxxx-47026C

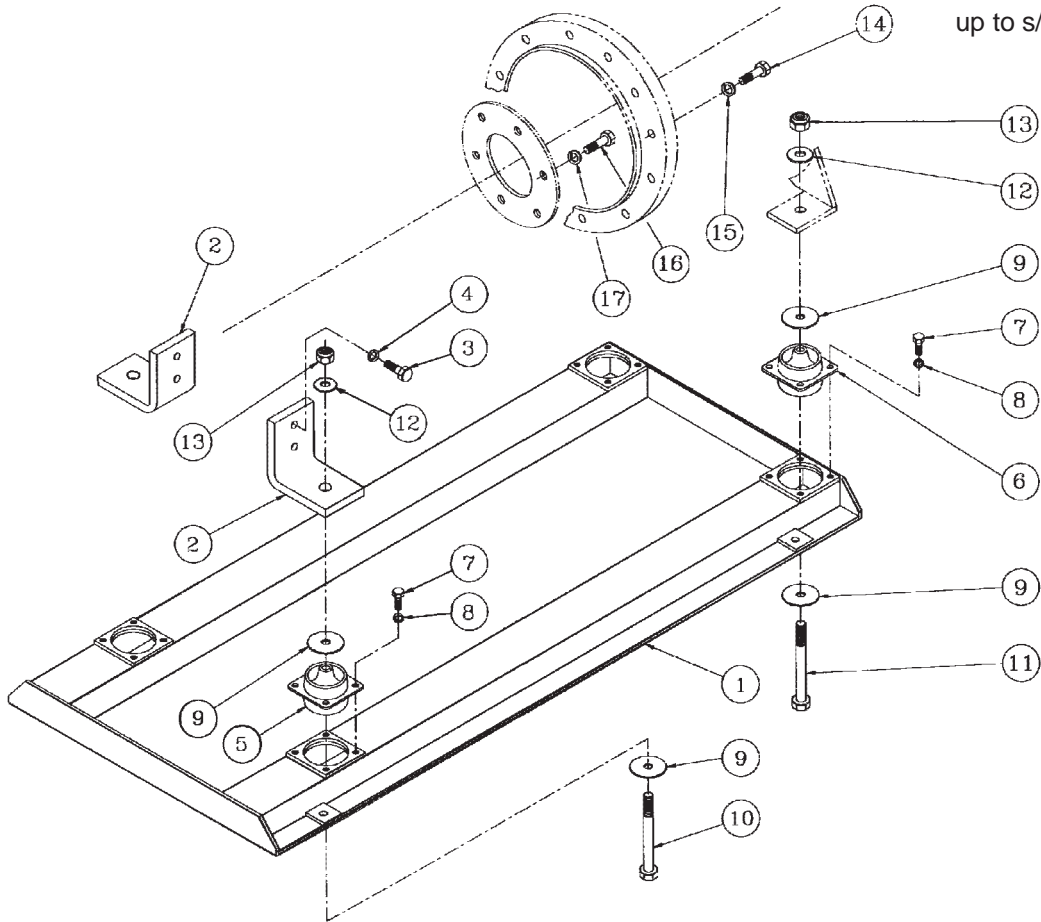


A-7894 / D-3012

KEY	PART NUMBER	QTY	DESCRIPTION	SERIAL NUMBER
1	39-88108	1	Base Frame, Steel	-
	39-88113	1	Base Frame, Aluminum	-
2	23-88104	2	Bracket	-
3	12-59100	4	Capscrew, Hex Head M14 x 1.5 x 30 mm S/S	-
4	15-09402	4	Lock Washer, Helical M14 S/S	-
5	33-85402	2	Platform Mount, 220 lb.	-
6	33-85402	2	Platform Mount, 220 lb.	-
7	12-00776	16	Capscrew, Hex Head M8 x 1.25 x 20 mm, S/S	-
8	12-00705	16	Lock Washer, Helical M8, S/S	-
9	15-00020	8	Snubbing Washer	-
10	12-09967	2	Capscrew, Hex Head M12 x 1.75 x 80 mm S/S	-
	12-09922	2	Capscrew, Hex Head M12 x 1.75 x 90 mm S/S (with PTO)	-
11	12-95501	2	Capscrew, Hex Head M12 x 1.75 x 75 mm S/S	-
12	15-09007	4	Flat Washer M12 S/S	-
13	14-09830	4	Hex Nut, Nylock M12 x 1.75 S/S	-
14	12-00313	12	Capscrew, Hex Head 3/8-16 x 1-1/4"	-
15	15-00302	12	Lock Washer, Helical 3/8	-
16	12-00214	8	Capscrew, Hex Head 5/16-18 x 1-1/2	-
17	15-00202	8	Lock Washer, Helical 5/16	-

Base Frame Assembly

M844L/PX-320K2
up to s/n xxxx-47167C



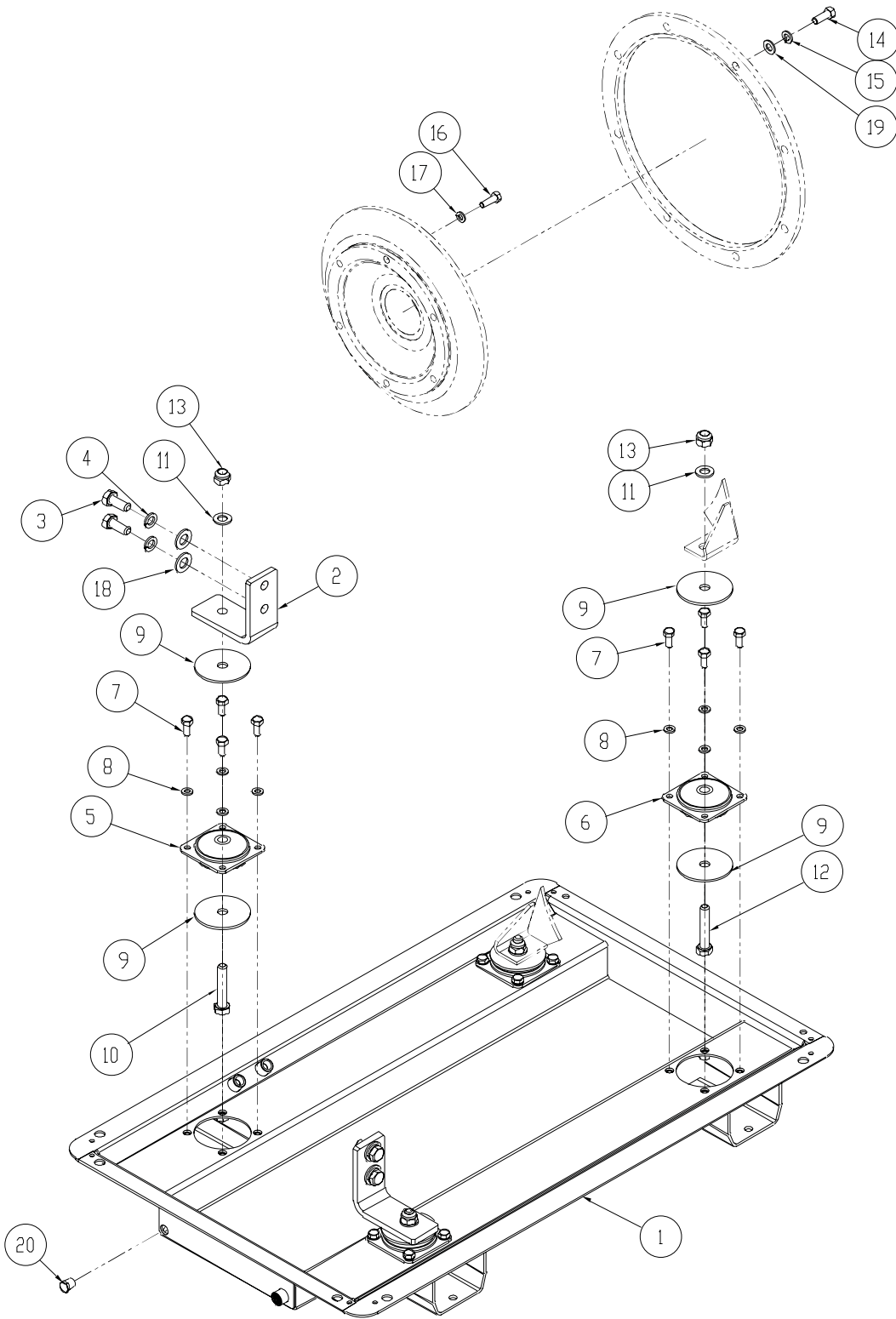
A-7895 / D-3012

KEY	PART NUMBER	QTY	DESCRIPTION	SERIAL NUMBER
1	39-88109	1	Base Frame, Steel	-
	39-88407	1	Base Frame, Aluminum	-
2	23-88104	2	Bracket	-
3	12-59100	4	Capscrew, Hex Head M14 x 1.5 x 30 mm S/S	-
4	15-09402	4	Lock Washer, Helical M14 S/S	-
5	33-83106	2	Platform Mount, 310 lb.	-
6	33-83106	2	Platform Mount, 310 lb.	-
7	12-00776	16	Capscrew, Hex Head M8 x 1.25 x 20 mm, S/S	-
8	12-00705	16	Lock Washer, Helical M8, S/S	-
9	15-00020	8	Snubbing Washer	-
10	12-09922	2	Capscrew, Hex Head M12 x 1.75 x 90 mm S/S	-
	12-09926	2	Capscrew, Hex Head M12 x 1.75 x 110 mm (with PTO)	-
11	12-09922	2	Capscrew, Hex Head M12 x 1.75 x 90 mm S/S	-
12	15-09007	4	Flat Washer M12 S/S	-
13	14-09830	4	Hex Nut, Nylock M12 x 1.75 S/S	-
14	12-00313	12	Capscrew, Hex Head 3/8-16 x 1-1/4"	-
15	15-00302	12	Lock Washer, Helical 3/8	-
16	12-00214	8	Capscrew, Hex Head 5/16-18 x 1-1/2	-
17	15-00202	8	Lock Washer, Helical 5/16	-

GROUP 8 – FRAME AND MOUNTING

Steel Base Pan with Platform Mounting

M844 / PX316K2 from s/n xxxx-47027C



D-4470B

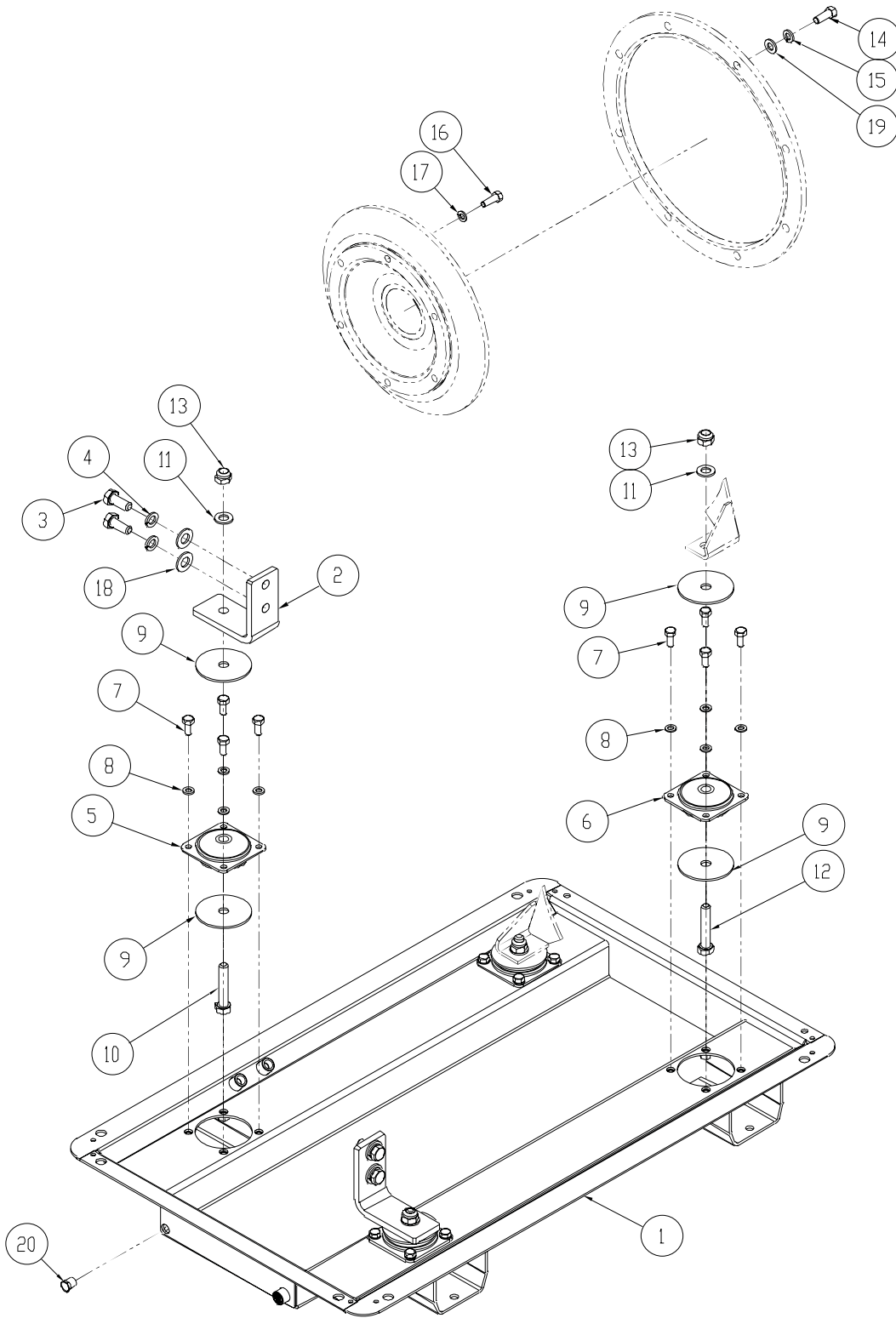
Kit, Steel Base Pan with Plateform Mounting

M844 / PX316K2 from s/n xxxx-47027C

KEY	PART NUMBER	QTY	DESCRIPTION	SERIAL NUMBER
1	39-88117	1	Base Pan, Steel	-
2	23-88104	2	Bracket, Front Engine Mtg	-
3	12-59100	4	Capscrew, Hex Head M14 x 1.5 x 30 mm S/S	-
4	15-09402	4	Lock Washer S/S	-
5	33-85402	2	Mount, Pateform 220 Lb	-
6	33-85402	2	Mount, Pateform 220 Lb	-
7	12-09751	16	Capscrew, Hex Head M8x1.25 X 16 mm S/S (316)	-
8	15-00705	16	Lock Washer, Helical M8 S/S (316)	-
9	15-00020	8	Snubbing Washer	-
10	12-09967	2	Capscrew, Hex Head M12x1.75 X 80mm S/S	-
	12-09922	2	Capscrew, Hex Head M12 x 1.75 x 90 mm (with PTO)	-
11	15-09007	4	Flat Washer M12 S/S (316)	-
12	12-95501	2	Capscrew, Hex Head M12x1.75 X 75mm S/S	-
13	14-09830	4	Hex Nut, Nylock M12x1.75 S/S (316)	-
14	12-00313	12	Capscrew, Hex Head 3/8-16 X 1-1/4"	-
15	15-00302	12	Lock Washer, Helical 3/8"	-
16	12-00214	8	Capscrew, Hex Head 5/16-18 X 1- 1/2"	-
17	15-00202	8	Lock Washer, Helical 5/16	-
18	15-09401	4	Flat Washer M14 S/S	-
19	15-00805	12	Flat Washer M10	-
20	21-31624	1	Plug, Hex Head, Brass, 1/4 NPT	-

Steel Base Pan with Platform Mounting

M844L / PX320K2 from s/n xxxx-47168C



D-4470B

Kit, Steel Base Pan with Plateform Mounting

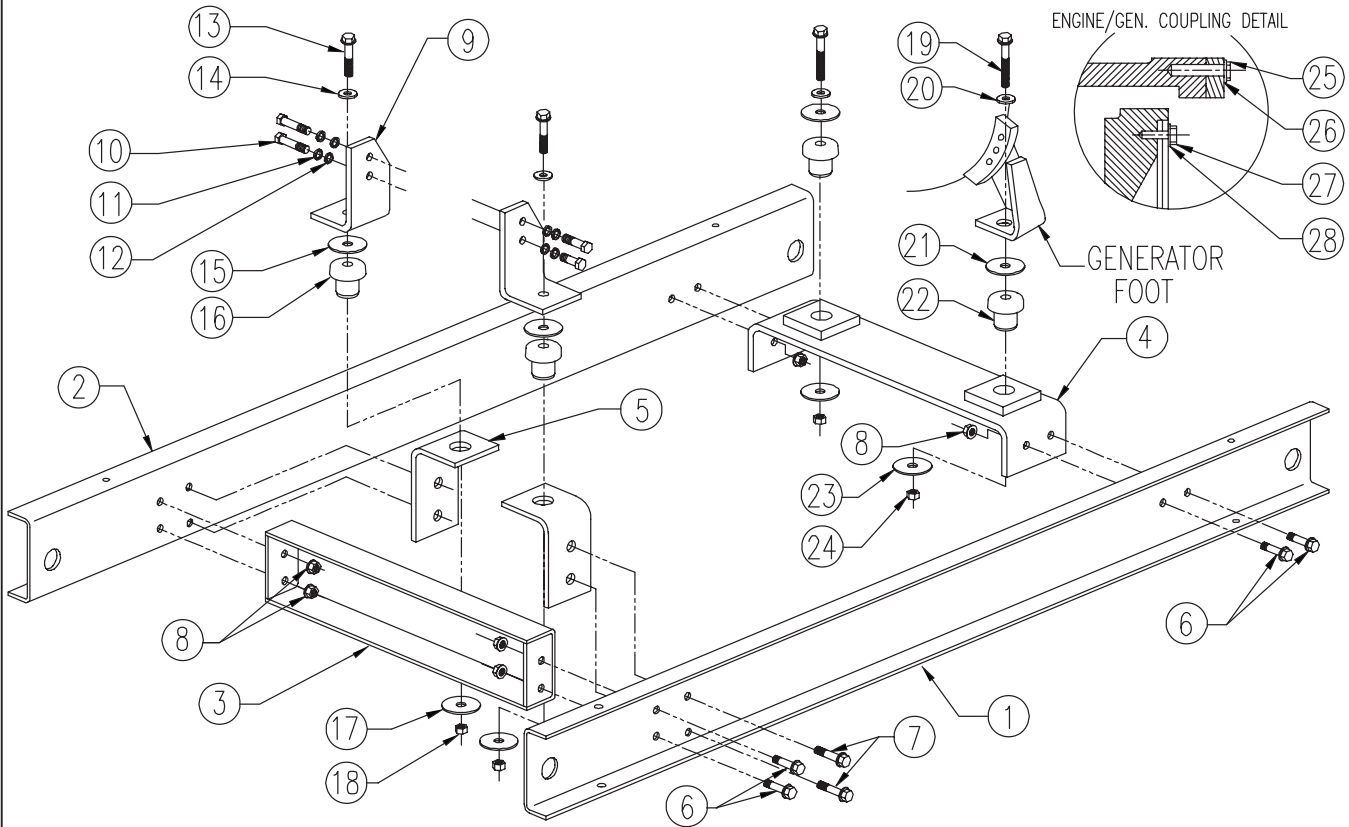
M844L / PX320K2 from s/n xxxx-47168C

KEY	PART NUMBER	QTY	DESCRIPTION	SERIAL NUMBER
1	39-88417	1	Base Pan, Steel	-
2	23-88104	2	Bracket, Front Engine Mtg	-
3	12-59100	4	Capscrew, Hex Head M14 x 1.5 x 30 mm S/S	-
4	15-09402	4	Lock Washer S/S	-
5	33-83106	2	Mount, Pateform 310 Lb	-
6	33-83106	2	Mount, Pateform 310 Lb	-
7	12-09751	16	Capscrew, Hex Head M8x1.25 X 16 mm S/S (316)	-
8	15-00705	16	Lock Washer, Helical M8 S/S (316)	-
9	15-00020	8	Snubbing Washer	-
10	12-09967	2	Capscrew, Hex Head M12x1.75 X 80mm S/S	-
	12-09926	2	Capscrew, Hex Head M12 x 1.75 x 110 mm (with PTO)	-
11	15-09007	4	Flat Washer M12 S/S (316)	-
12	12-95501	2	Capscrew, Hex Head M12x1.75 X 75mm S/S	-
13	14-09830	4	Hex Nut, Nylock M12x1.75 S/S (316)	-
14	12-00313	12	Capscrew, Hex Head 3/8-16 X 1-1/4"	-
15	15-00302	12	Lock Washer, Helical 3/8"	-
16	12-00214	8	Capscrew, Hex Head 5/16-18 X 1- 1/2"	-
17	15-00202	8	Lock Washer, Helical 5/16	-
18	15-09401	4	Flat Washer M14 S/S	-
19	15-00805	12	Flat Washer M10	-
20	21-31624	1	Plug, Hex Head, Brass, 1/4 NPT	-

GROUP 8 – FRAME & MOUNTING

Base Frame Assembly

Industrial Application - NL844W



A-7932A/D-3653A

Base Frame Assembly

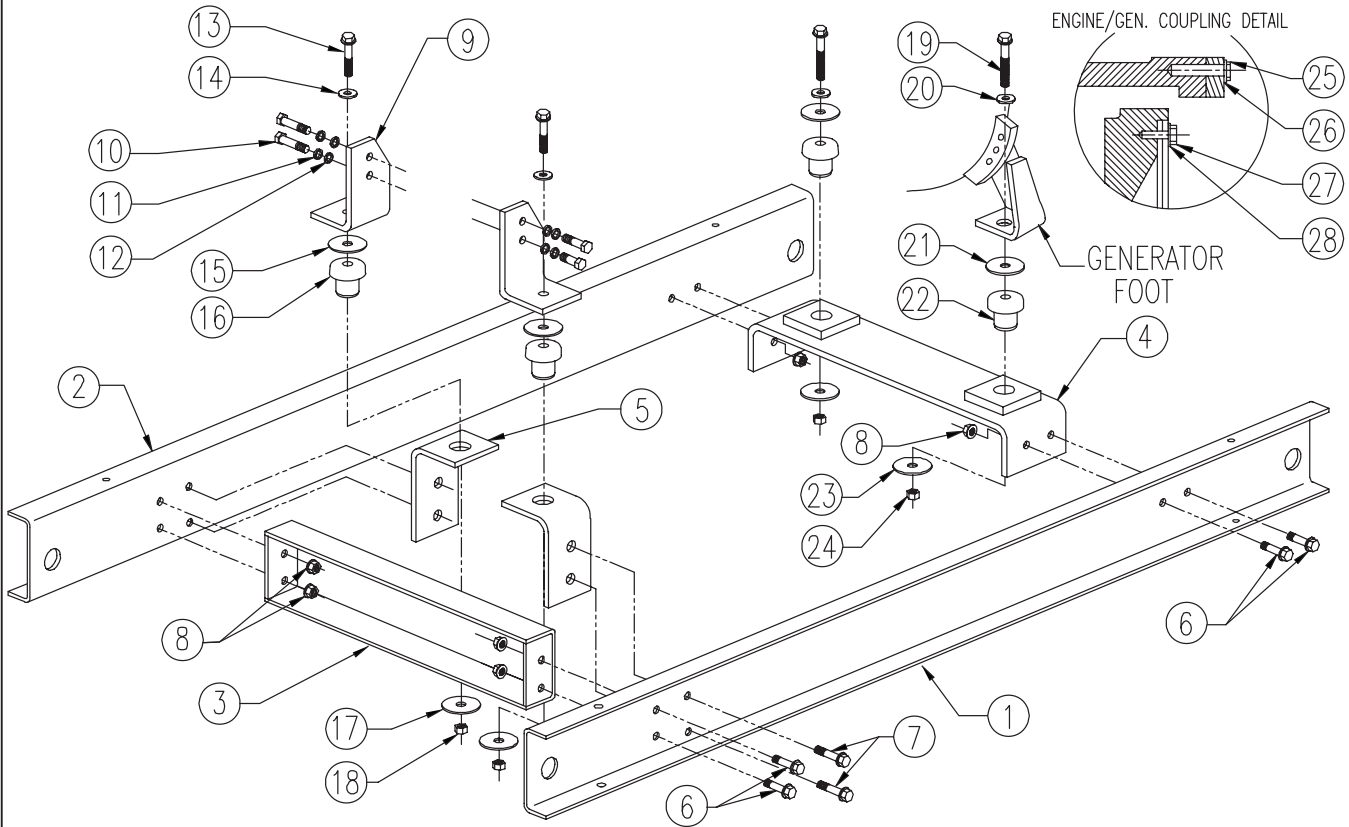
Industrial Application NL844W

KEY	PART NUMBER	QTY	DESCRIPTION	SERIAL NUMBER
1	39-88114	1	Side Rail, Left Hand (NL844W)	-
2	39-88116	1	Side Rail, Right Hand (NL844W)	-
3	39-88413	1	Cross Member Forward	-
4	39-68406	1	Generator Support	-
5	23-88406	2	Bracket, Lower Engine Support	-
6	01435-01025	8	Capscrew, Hex Head Flanged M10 x 1.5 x 25 mm Grade 10.9	-
7	01435-01030	4	Capscrew, Hex Head Flanged M10 x 1.5 x 30 mm Grade 10.9	-
8	14-00815	12	Lock Nut, Flanged M10 x 1.5	-
9	23-88104	2	Bracket, Front Engine Mounting	-
10	12-01100	4	Capscrew, Hex Head M14 x 1.5 x 30 mm	-
11	15-01402	4	Lock Washer, Helical M14	-
12	15-01401	4	Flat Washer, M14	-
13	12-00843	2	Capscrew, Hex Head M10 x 1.5 x 65 mm	-
14	15-00809	2	Flat Washer, M10 x 3/8" Special, Hardened	-
15	15-00014	2	Head/ Tail Washer Hardened	-
16	33-83151	2	Mount, Centerbonded 200 lb.	-
17	15-00014	2	Head/ Tail Washer Hardened	-
18	14-00812	2	Hex Nut, Nylock M10 x 1.5	-
19	12-00964	2	Capscrew, Hex Head M12 x 1.75 x 75 mm	-
20	01643-31232	2	Flat Washer, M12 x 25 mm OD x 3.2 mm Hardened	-
21	15-00016	2	Head Washer	-
22	33-82254	2	Mount, Centerbonded 300 lb.	-
23	15-00026	2	Tail Washer	-
24	14-00830	2	Hex Nut, Nylock M12 x 1.75	-
25	12-00313	12	Capscrew, Hex Head 3/8- 16 x 1- 1/4"	-
26	15-00302	12	Lock Washer, Helical 3/8"	-
27	12-00214	8	Capscrew, Hex Head 5/16-18 x 1-1/2"	-
28	15-00202	8	Lock Washer, Helical 5/16	-

GROUP 8 – FRAME & MOUNTING

Base Frame Assembly

Industrial Application - NL844LW



A-7932A/D-3653A

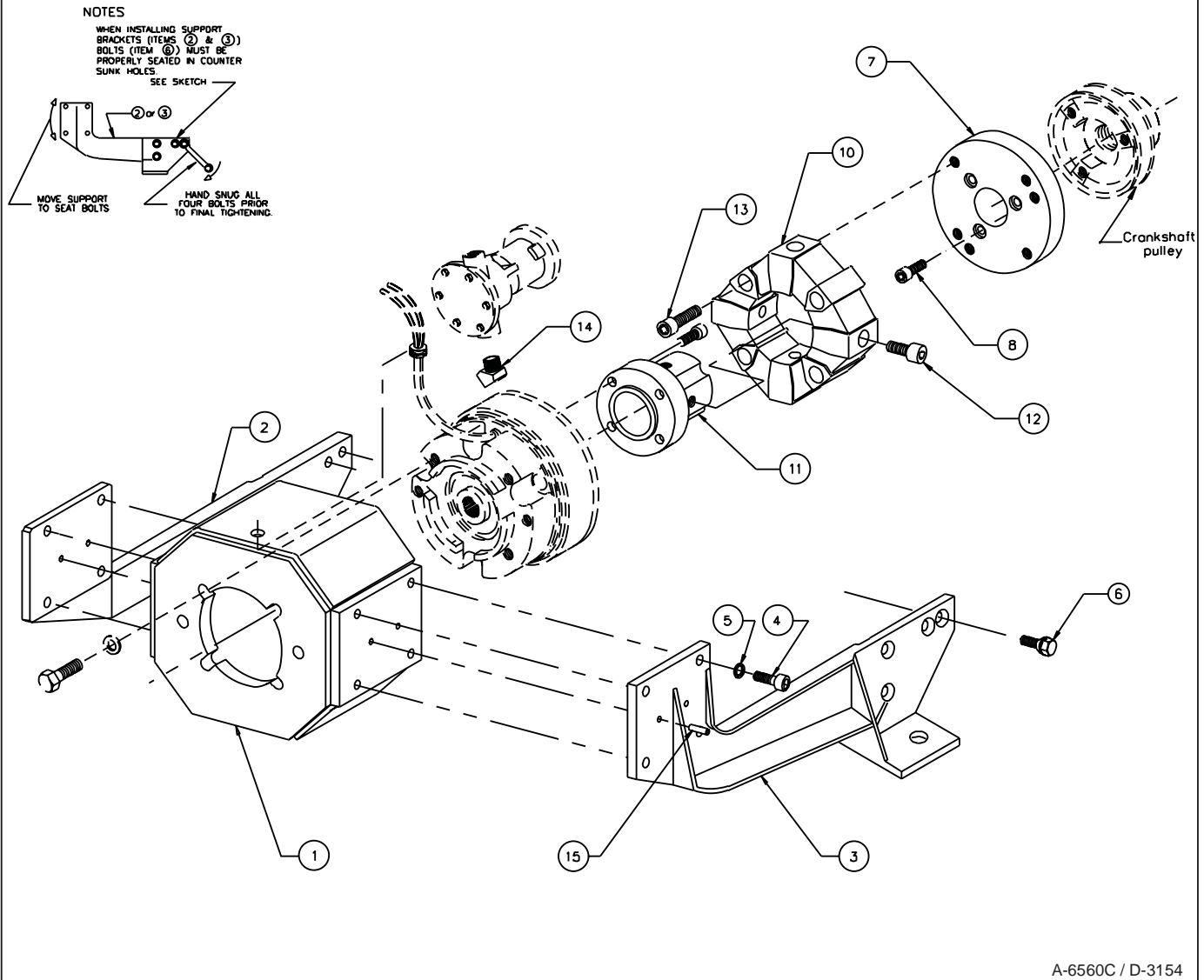
Base Frame Assembly

Industrial Application NL844LW

KEY	PART NUMBER	QTY	DESCRIPTION	SERIAL NUMBER
1	39-88411	1	Side Rail, Left Hand (NL844LW)	-
2	39-88412	1	Side Rail, Right Hand (NL844LW)	-
3	39-88413	1	Cross Member Forward	-
4	39-68406	1	Generator Support	-
5	23-88406	2	Bracket, Lower Engine Support	-
6	01435-01025	8	Capscrew, Hex Head Flanged M10 x 1.5 x 25 mm Grade 10.9	-
7	01435-01030	4	Capscrew, Hex Head Flanged M10 x 1.5 x 30 mm Grade 10.9	-
8	14-00815	12	Lock Nut, Flanged M10 x 1.5	-
9	23-88104	2	Bracket, Front Engine Mounting	-
10	12-01100	4	Capscrew, Hex Head M14 x 1.5 x 30 mm	-
11	15-01402	4	Lock Washer, Helical M14	-
12	15-01401	4	Flat Washer, M12 x5 mm OD x 32 mm Hardened	-
13	12-00843	2	Capscrew, Hex Head M10 x 1.5 x 65 mm	-
14	15-00809	2	Flat Washer, M10 x 3/8" Special, Hardened	-
15	15-00014	2	Head Washer	-
16	33-83151	2	Mount, Centerbonded 200 lb.	-
17	15-00026	2	Tail Washer	-
18	14-00830	2	Hex Nut, Nylock M12 x 1.75	-
19	12-00964	2	Capscrew, Hex Head M12 x 1.75 x 75 mm	-
20	01643-31232	2	Flat Washer, M12 x 25 mm OD x 3.2 mm Hardened	-
21	15-00016	2	Head Washer	-
22	33-82254	2	Mount, Centerbonded 300 lb.	-
23	15-00026	2	Tail Washer	-
24	14-00830	2	Hex Nut, Nylock M12 x 1.75	-
25	12-00313	12	Capscrew, Hex Head 3/8- 16 x 1- 1/4"	-
26	15-00302	12	Lock Washer, Helical 3/8"	-
27	12-00214	8	Capscrew, Hex Head 5/16-18 x 1-1/2"	-
28	15-00202	8	Lock Washer, Helical 5/16	-

GROUP 9 – ACCESSORIES & OPTIONAL EQUIPMENT

PTO Adapter Parts M844 - 844L

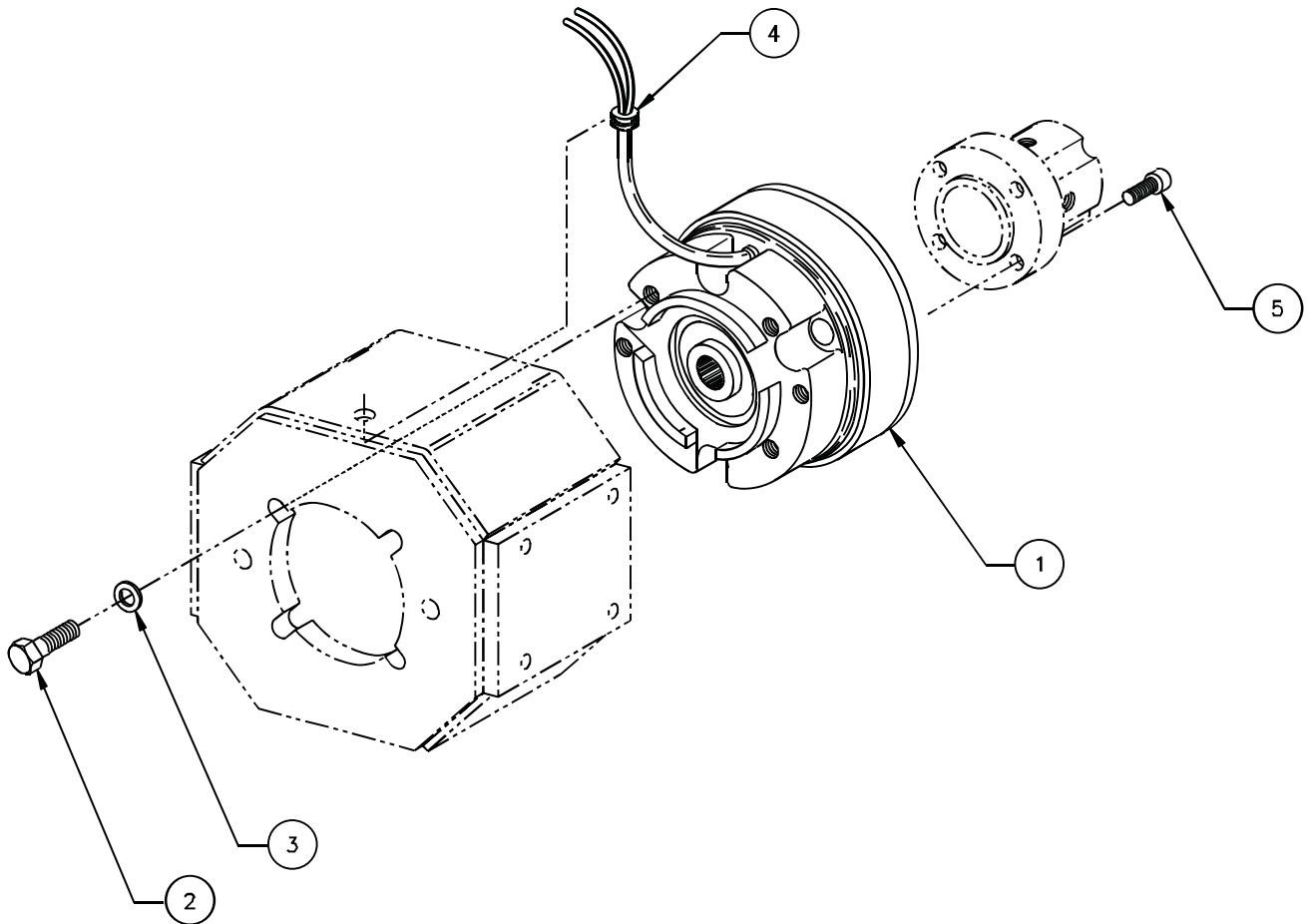


A-6560C / D-3154

KEY	PART NUMBER	QTY	DESCRIPTION	SERIAL NUMBER
1	10-65401	1	PTO Clutch Housing	-
2	23-68101	1	PTO Support Bracket, Right Hand	-
3	23-68102	1	PTO Support Bracket, Left Hand	-
4	01435-01025	8	Capscrew, Hex Head Flanged M10 x 1.5 x 25 mm	-
5	15-00804	8	Wave Washer M10	-
6	12-68101	6	Capscrew, Hex Head with Tapered Seat M14 x 1.5 x 30 mm	-
7	31-68101	1	PTO Drive Adapter	-
8	12-20912	3	Capscrew, Socket Head M12 x 1.75 x 25 mm	-
10	34-65406	1	Coupling Assembly	-
11	34-65407	1	Hub	-
12	12-20920	4	Capscrew, Socket Head M12 x 1.75 x 40 mm	-
13	12-20914	4	Capscrew, Socket Head M12 x 1.75 x 35 mm	-
14	21-00128	1	Street Elbow, Brass 1/2 NPT x 1/2 NPT	-
15	32-60001	4	Taper Pin #4 x 1"	-

Electric Clutch

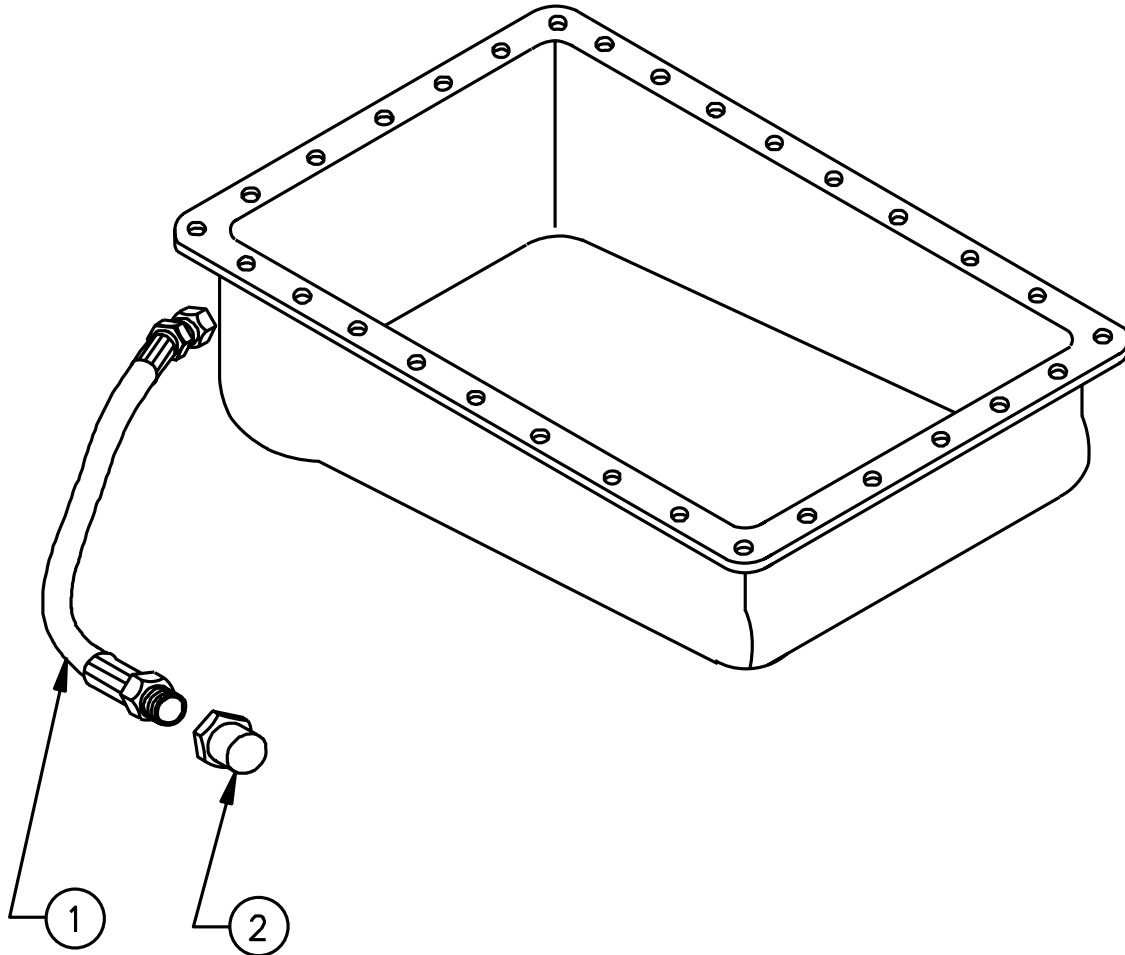
H-28 B-Spline 12 & 24 Volt



A-6291, A-6346 / C-3020

KEY	PART NUMBER	QTY	DESCRIPTION	SERIAL NUMBER
1	34-60031	1	Electric Clutch Assembly (12 Volt)	-
	34-60032	1	Electric Clutch Assembly (24 Volt)	-
2	12-00513	4	Capscrew, Hex Head 1/2-13 x 1-1/4	-
3	15-00007	4	Flat Washer M12	-
4	00-61003	1	Grommet	-
5	12-63800	4	Capscrew, Socket Head 3/8-24 x 3/4	-

Oil Drain Kit L844

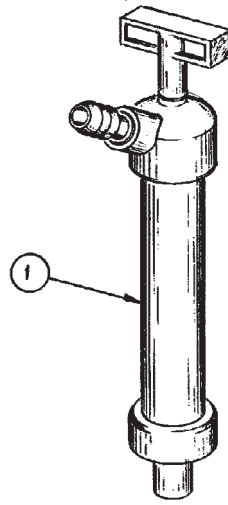


A-10619/ B-8409

KEY	PART NUMBER	QTY	DESCRIPTION	SERIAL NUMBER
1	18-72004	1	Hose Assembly 1/2" ID x 13-1/2"	-
2	21-00003	1	Cap, Hex Head Brass 1/2 NPT	-

GROUP 9 – ACCESSORIES & OPTIONAL EQUIPMENT

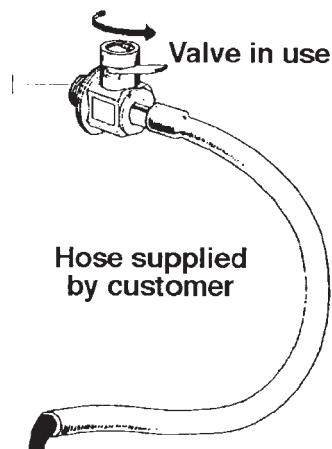
Oil Drain Kit M844, M844L, M20CRW3



A-5024/ B-3990

KEY	PART NUMBER	QTY	DESCRIPTION	SERIAL NUMBER
••	36-70010		Oil Drain Pump Kit (with hose & connectors)	-
1	36-72002	1	Hand Pump	-

Oil Drain Kit NL844

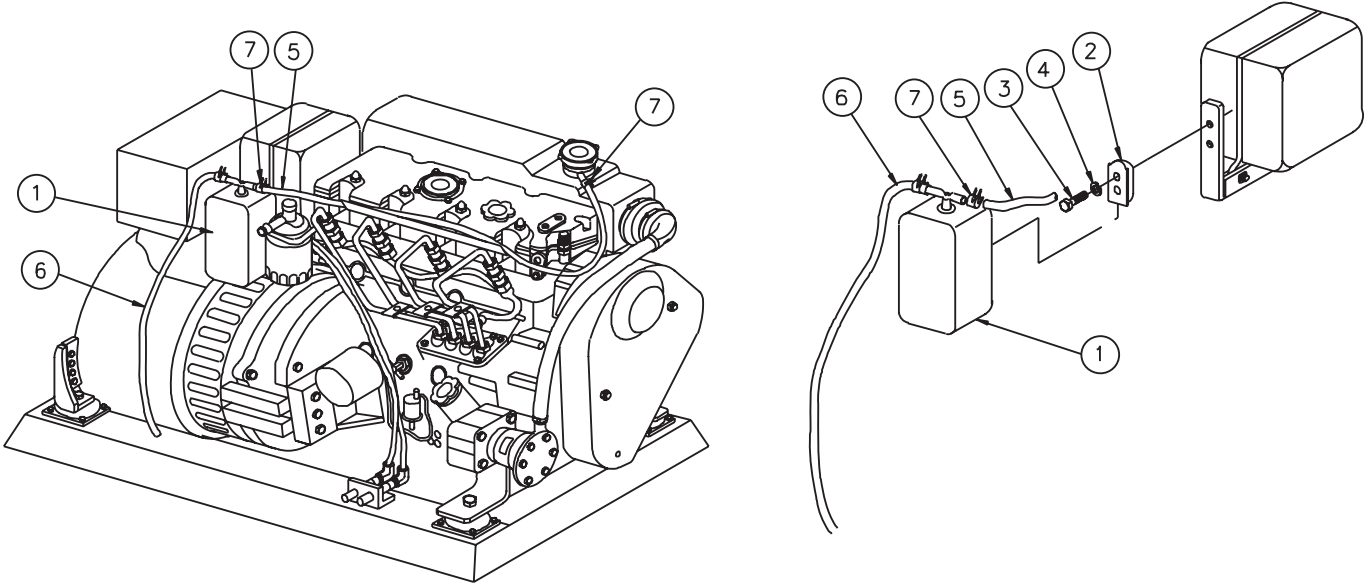


A-6480

KEY	PART NUMBER	QTY	DESCRIPTION	SERIAL NUMBER
1	36-72003	1	Drain Valve	-

GROUP 9 – ACCESSORIES & OPTIONAL EQUIPMENT

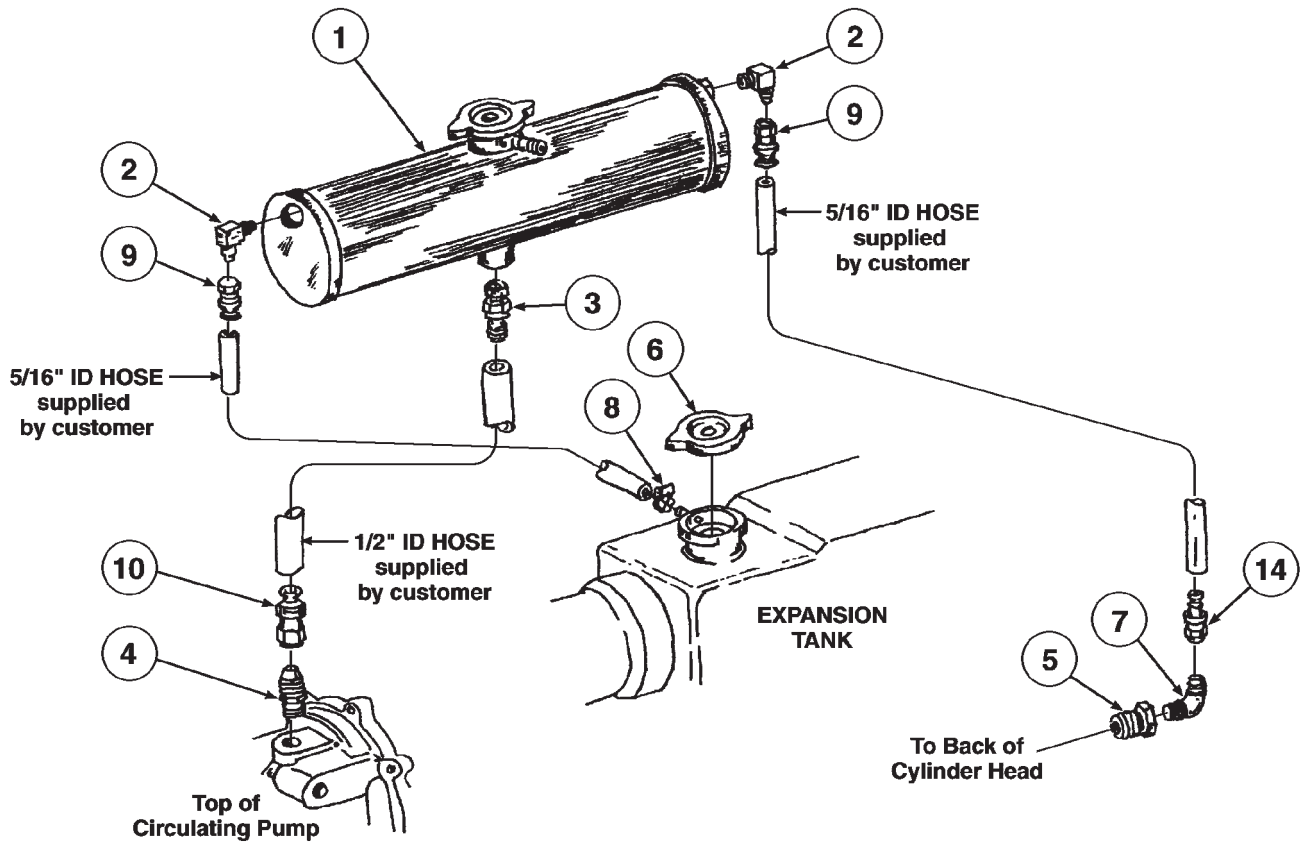
Coolant Recovery Tank



A-10343 / B-8022

KEY	PART NUMBER	QTY	DESCRIPTION	SERIAL NUMBER
1	310550130	1	Tank, Coolant Recovery	-
2	222300090	1	Bracket, Coolant Recovery Tank Mounting	-
3	12-01102	2	Capscrew, Hex Head M6 x 1.0 x 16 mm S/S	-
4	15-00610	2	Lock Washer, Helical M6 S/S	-
5	27-12004	1	Tube 5/16" ID x 30" Polyurethane	-
6	18-12006	1	Hose 5/16" ID x 26" Polyvinyl	-
7	19-18602	3	Hose Clamp	-

Remote Expansion Tank

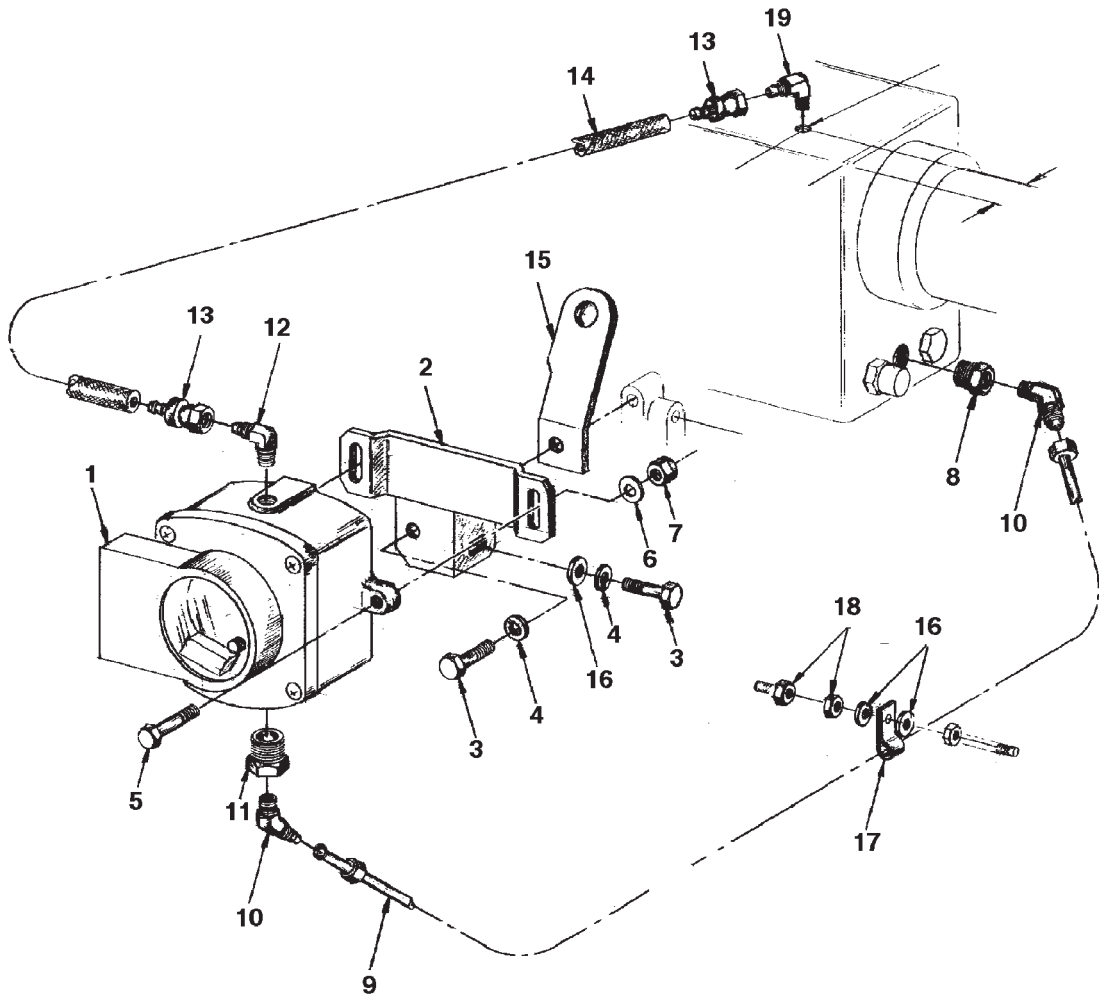


A-7463

KEY	PART NUMBER	QTY	DESCRIPTION	SERIAL NUMBER
1	10-12002	1	Tank Assembly (includes keys #11 - #12)	-
2	21-52245	2	Male Elbow, Brass 1/4 NPT x 5/16-45T	-
3	21-51093	1	Male Connector, Brass 1/2 NPT x 1/2 HB	-
4	21-71093	1	Male Connector, Brass 3/8 NPT x 1/2 HB	-
5	31-12001	1	Port Adapter (requires #13)	-
6	21-12008	1	Filler Cap	-
7	21-10030	1	Male Elbow, 90° Brass 3/8 Port x 5/16-37T	-
8	19-00004	1	Hose Clamp #4	-
9	21-71056	2	Female Swivel, Brass 5/16 HB x 5/16-45T	-
10	21-71042	1	Female Swivel, Brass 1/2 HB x 1/2-45T	-
11	23-75404	2	Bracket, Tank Mtg. (not shown)	-
12	19-00064	2	Hose Clamp #64 (not shown)	-
13	16-15010	1	O-ring (not shown)	-
14	21-70007	1	Female Swivel, Brass 5/16 HB x 5/16-37T	-

GROUP 9 – ACCESSORIES & OPTIONAL EQUIPMENT

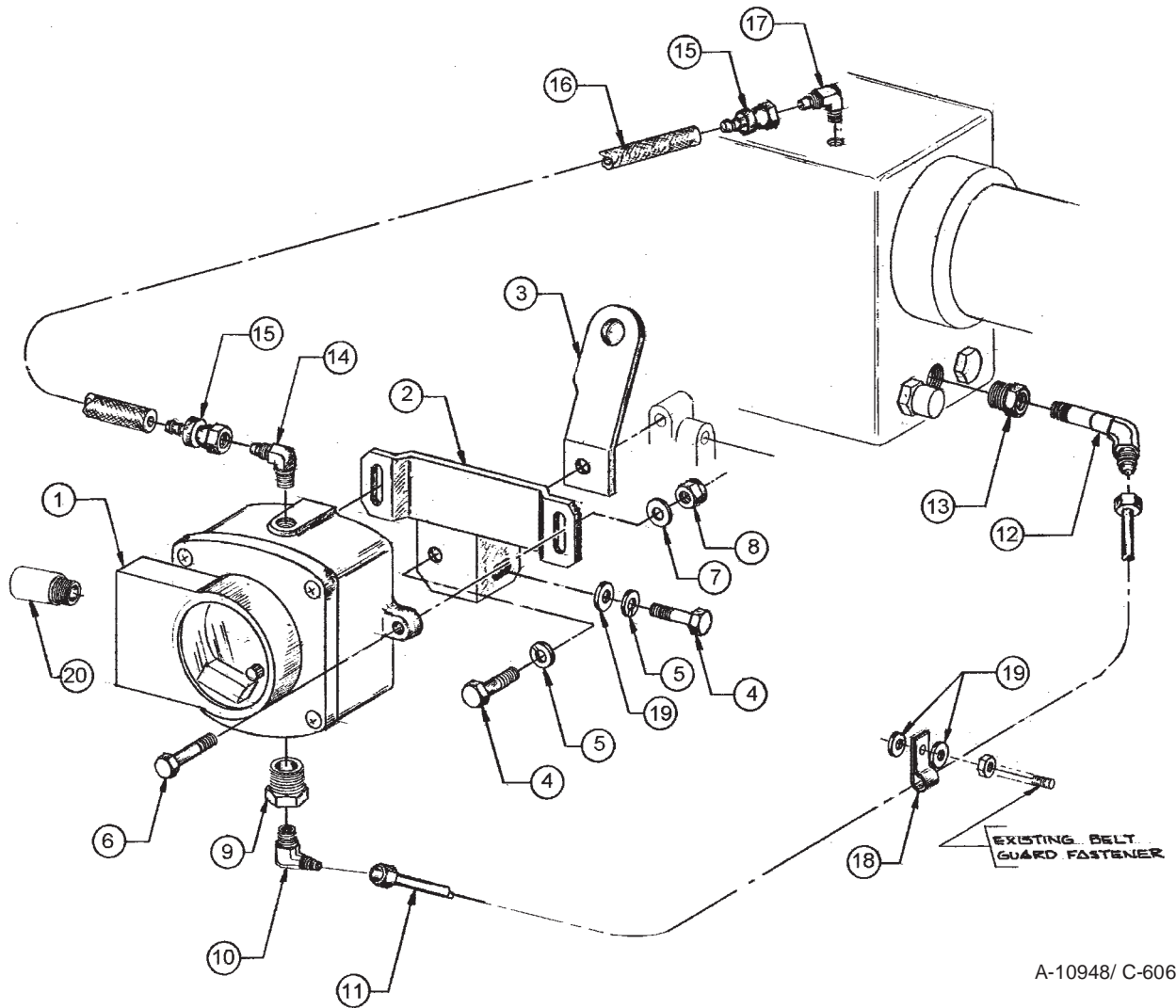
Low Water Level Switch/Gauge



A-5847 / C-2837

KEY	PART NUMBER	QTY	DESCRIPTION	SERIAL NUMBER
1	22-10003	1	Water Level Switch / Gauge, Isolated Ground	-
2	23-73106	1	Bracket	-
3	12-00712	2	Capscrew, Hex Head M8 x 1.25 x 25 mm	-
4	15-00702	2	Lock Washer, Helical M8	-
5	12-00031	2	Capscrew, Hex Head M6 x 1.0 x 25 mm	-
6	15-00008	2	Flat Washer M6	-
7	14-04803	2	Hex Nut, Nylock M6 x 1.0	-
8	21-00010	1	Bushing, Steel 3/8NPT x 1/4NPT	-
9	27-13101	1	Tube Assembly	-
10	21-05404	1	Male Elbow, 45° Steel 1/4NPT x 1/4-37T	-
11	21-00135	1	Bushing, Brass 1/2NPT x 1/4NPT	-
12	21-71049	1	Male Elbow, 90° Steel 1/4NPT x 1/4-37T	-
13	31-80002	2	Female Swivel, 1/4HB x 1/4-37T	-
14	18-52205	1	Hose 1/4"ID x 13"	-
15	00-73146	1	Lifting Eye	-
16	15-00701	3	Flat Washer M8	-
17	19-72251	1	Adelle Clamp	-
18	14-00711	2	Hex Nut M8 x 1.25	-
19	21-71053	1	Male Elbow 90° Steel 1/8NPT x 1/4-37T	-

Low Coolant Level Switch/ Gauge



A-10948/ C-6066

KEY	PART NUMBER	QTY	DESCRIPTION	SERIAL NUMBER
1	22-10003	1	Coolant Level Switch/ Gauge	-
2	23-73106	1	Bracket, Coolant Level Switch/ Gauge	-
3	00-73146	1	Lifting Eye, Front	-
4	12-00712	2	Capscrew, Hex Head M8 x 1.25 x 25 mm	-
5	15-00702	2	Lock Washer, Helical M8	-
6	12-00031	2	Capscrew, Hex Head M6 x 1.0 x 25 mm	-
7	15-00008	1	Flat Washer M6	-
8	14-04803	2	Hex Nut, Nylock M6 x 1.0	-
9	21-00135	1	Bushing, Brass 1/2 NPT x 1/4 NPT	-
10	21-71049	1	Male Elbow 90° Steel 1/4 NPT x 1/4- 37T	-
11	18-15408	1	Hose Assembly 1/4" ID x 15"	-
12	21-15710	1	Male Elbow 90° Steel 1/8 NPT x 1/4- 37T	-
13	21-55201	1	Bushing Brass 3/8 NPT x 1/8 NPT	-
14	21-71044	1	Male Elbow 90° Brass 1/4 NPT x 1/4- 45T	-
15	21-71045	2	Female Swivel Brass 1/4 HB x 1/4- 45T	-
16	18-52205	1	Hose 1/4" ID x 13" Push-on	-
17	21-71053	1	Male Elbow 90° Steel 1/8 NPT x 1/4- 37T	-
18	19-72252	1	Adelle Clamp 3/8" ID x 3/8" Stud	-
19	15-00701	3	Flat Washer M8	-
20	00-40016	1	Strain Relief Connection 1/2 NPT	-



4420 14th Ave. NW., Seattle WA 98107

Tel: (206) 789-3880 • 1-800-762-0165 • Fax: (206) 782-5455

Northern Lights and Lugger are registered trademarks of Northern Lights, Inc.

© 2011 All rights reserved. Litho USA.



SAILTEC GmbH - Hasselbinnen 28 - D-22869 Schenefeld
Tel. +49-(0)40-8229940 - Fax +49-(0)40-8304279
Email info@sailtec.de - Internet www.sailtec.de