



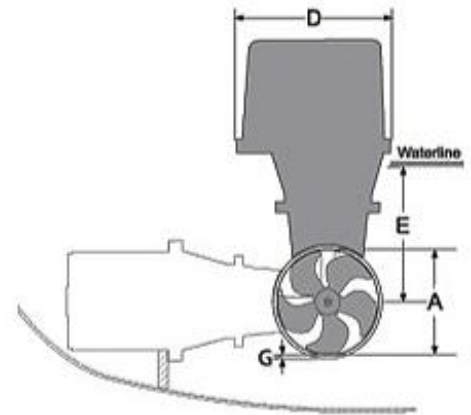
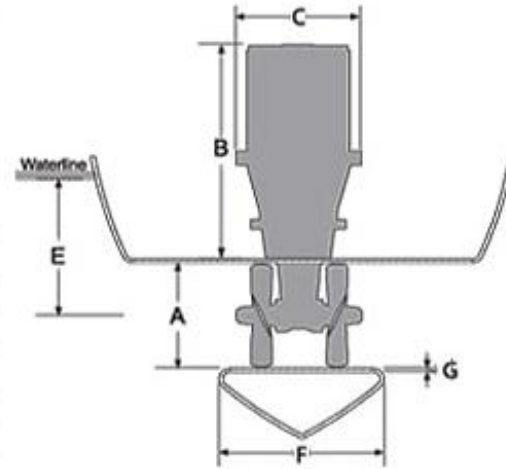
With its outstanding performance, excellent energy efficiency and very compact installation size, the **SE30/125S-IP** includes all the important and unique **Side-Power** features and qualities - **why settle for less.**

#### THRUSTER DATA

Thrust at 10.5V/21V* (kg · lbs)	30 · 66
Thrust at 12V/24V* (kg · lbs)	40 · 88
Typical boat size (ft · m)	20 - 28 · 6 - 8.5
Tunnel I.D. (mm · in)	125 · 4.92
Propulsion system	Single
Power at 10.5V/21V* (kw · Hp)	1.5 · 2
For DC system (V)	12
Weight (kg · lbs)	10.5 · 23
Min. Batt. Cap (CCA 12/24V)	200
<b>Item Code 12V</b>	<b>SE30/125S-IP</b>

#### Measurements

A (mm · in)	125 · 4.9
B (mm · in)	245 · 9.6
C (mm · in)	226 · 8.9
D (mm · in)	230 · 9.1
E min (mm · in)	125 · 4.9
F (mm · in)	92 · 3.60
F recommended (mm · in)	184 · 7.25
G min. (mm · in)	4 · 0.16
G max. (mm · in)	5 · 0.20



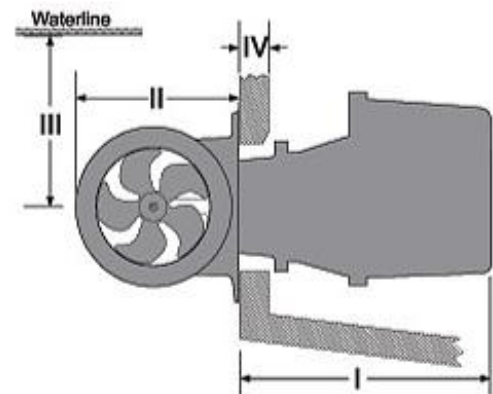
#### STERN THRUSTER KIT

##### Measurements

I (mm · in)	220 · 8.7
II (mm · in)	190 · 7.5
III min. (mm · in)	135 · 5.3
IV max. (mm · in)	14 · 0.55
V (mm · in)	160 · 6.3
VI (mm · in)	217 · 8.5
Tunnel length (mm · in)	197 · 7.8

##### Item code

Stern thruster kit	90125i
Cowls	90126



SAILTEC GmbH - Hasselbinnen 28 - D-22869 Schenefeld  
 Tel. +49-(0)40-8229940 - Fax +49-(0)40-8304279  
 Email [info@sailtec.de](mailto:info@sailtec.de) - Internet [www.sailtec.de](http://www.sailtec.de)