

SIDE-POWER

Thruster systems



SP 285 TC i



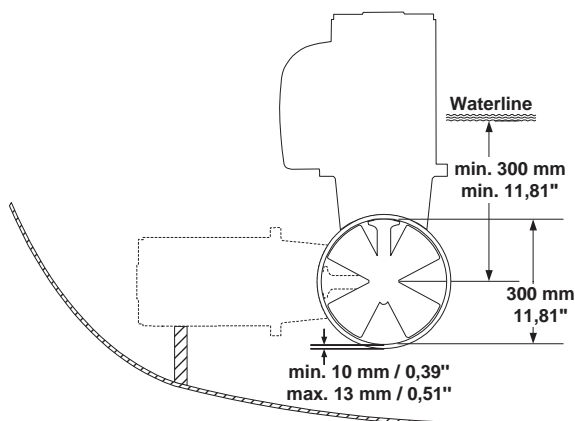
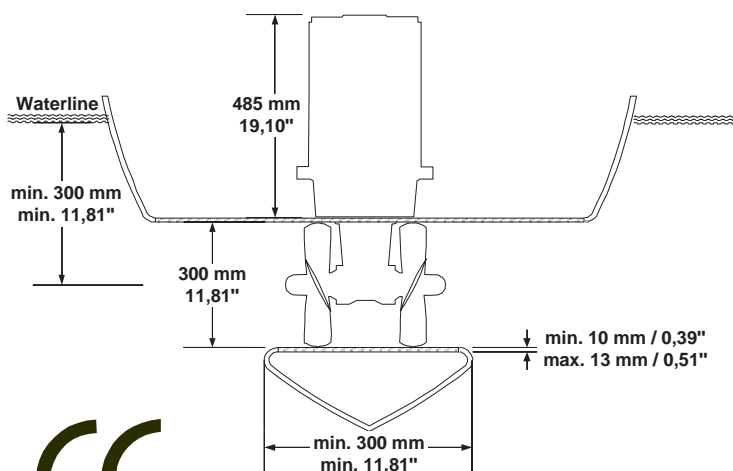
MAIN FEATURES

Thrust at 21 V	285 kg / 627 lbs.
Power	15 kW / 20 Hp
Tunnel diameter	300 mm / 11,8"
Propulsion system	Counter rotating
Voltage	48 V (24 V kit incl.)
Weight	73 kg / 160 lbs.
Boat size	74 - 100 foot
Current draw	nom. 430 A (48 V)
Min. battery CCA DIN	2 x 450-24 V

We invented the 24-48 V concept.

This is the most powerful DC electric thruster on the market. A very effective alternative to hydraulic thrusters that historically have been used for this performance now featuring the latest IPC*

*) Intelligent Power Control is the intelligent and patented safety functions included in all Sidepower DC electric thrusters.



This document may contain typographical errors, to which Sleipner Motor assumes no responsibility.



SAILTEC GmbH - Hasselbinnen 28 - D-22869 Schenefeld

Tel. +49-(0)40-8229940 - Fax +49-(0)40-8304279

Email info@sailtec.de - Internet www.sailtec.de