

Pedestals

Viper Pedestal

The Viper pedestal is designed to be used with the 875 series transmission equipment See Page 5. Made throughout of carefully selected materials, cast Aluminium Head and Foot, extruded Aluminium tube, Stainless Steel shaft work carried in generous bearings, with Nickel Aluminium Bronze and Stainless Steel bevel gears. All Aluminium parts are pre treated with ICI's Alochrome process and painted with Croda Paints Ltd., resins electrostatically applied and stoved to a beautiful durable finish. Brake and compass wire are standard equipment. The pedestal will mount a 4 inch dial compass.

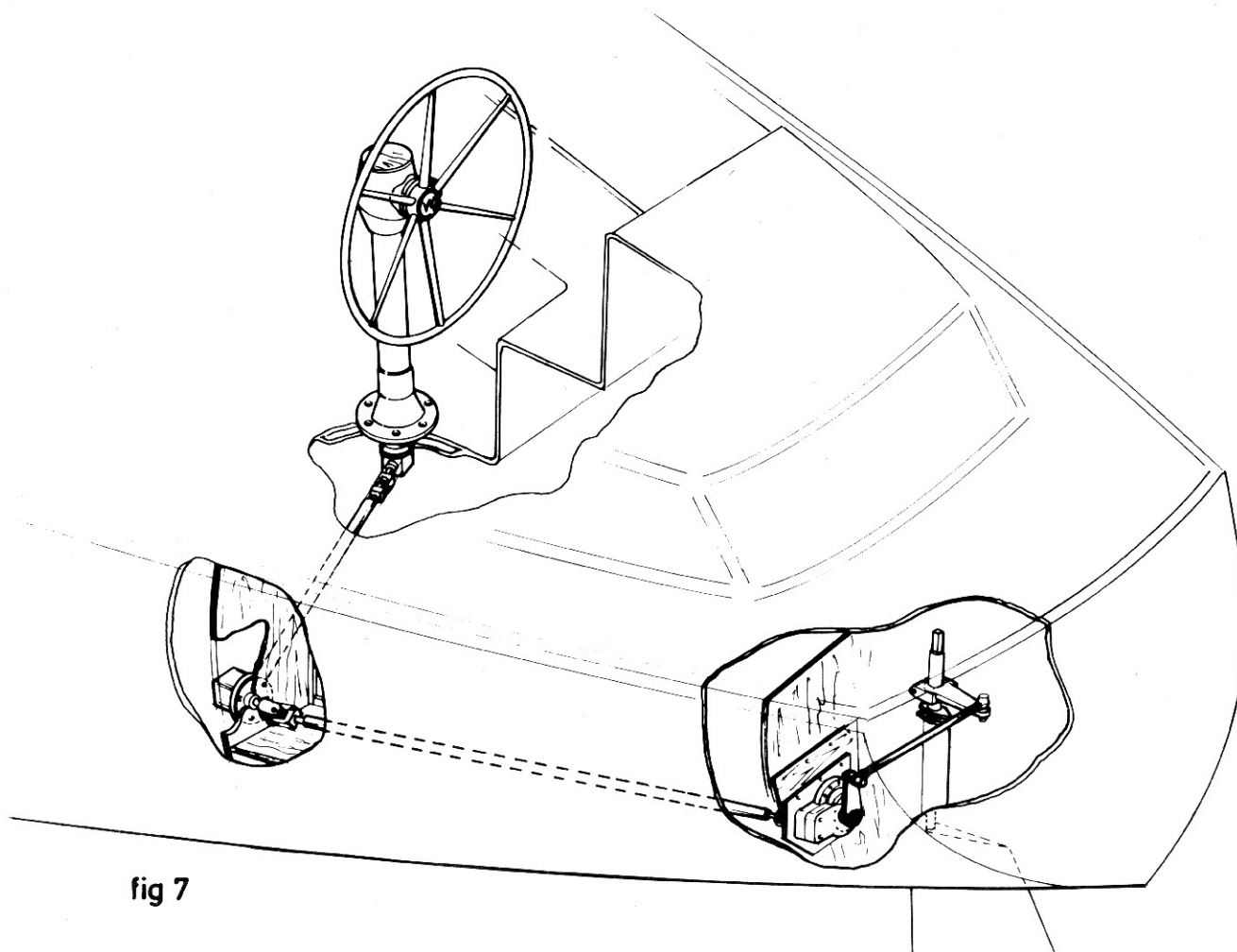
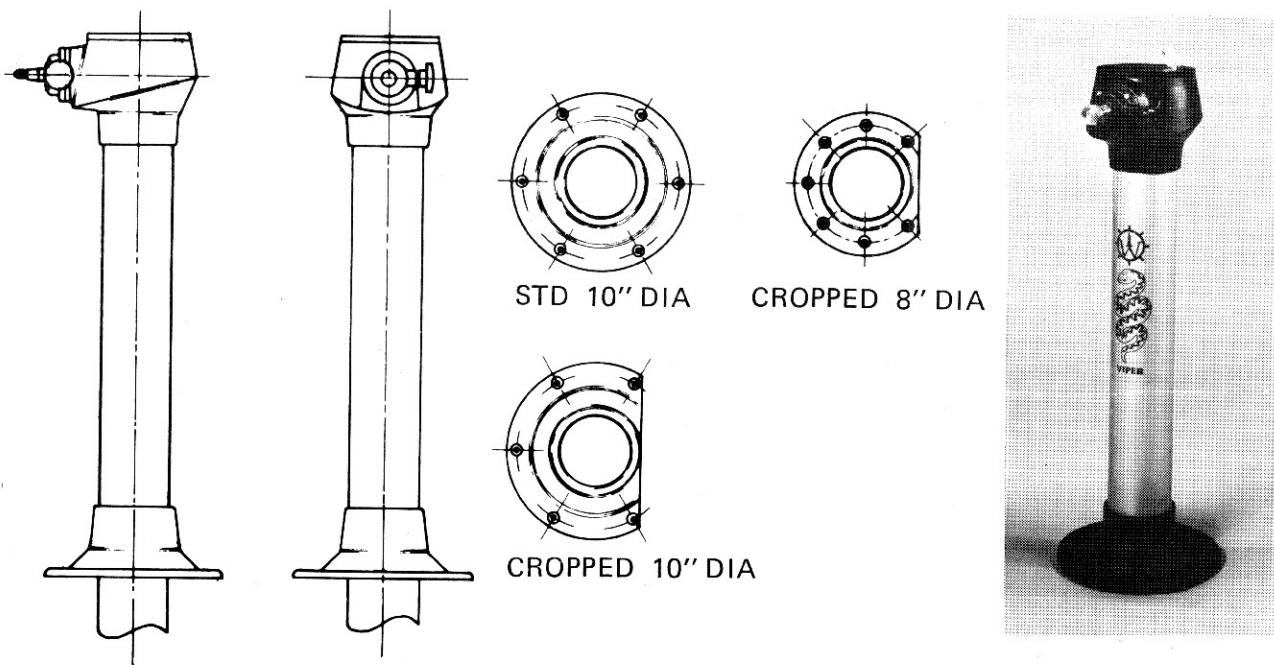


fig 7