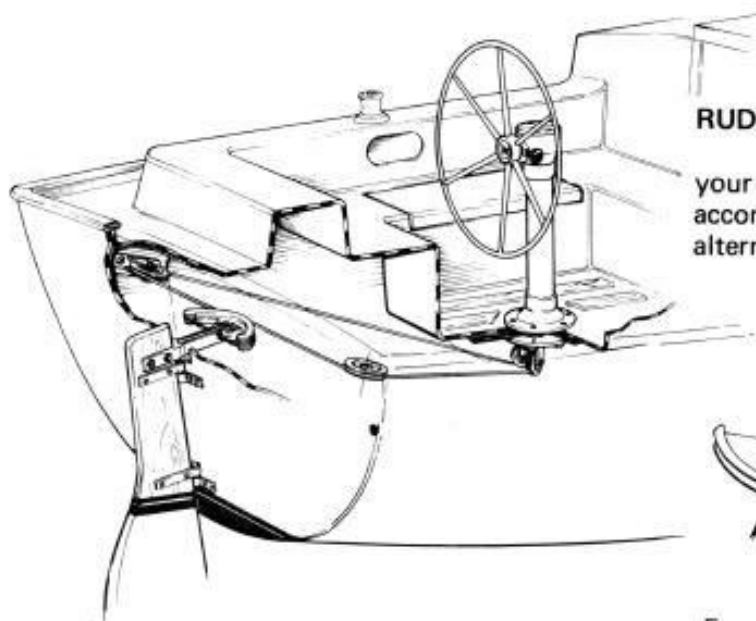


Orbit System

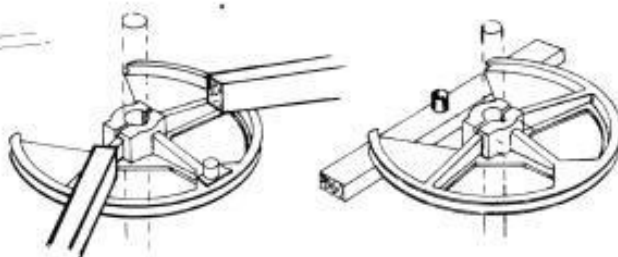
TRANSOM HUNG RUDDER

If your rudder is transom hung or if your rudder stock passes too close to the transom to accommodate the regular quadrant, we offer a transom mounting quadrant page 35 or conventional quadrants on page 4.



RUDDER STOPS

It is essential that rudder stops be fitted. For your convenience we have provided threads to accommodate a stop assembly see page 41. An alternative approach is shown below.



For details of our chain wire, and fittings see page 39.