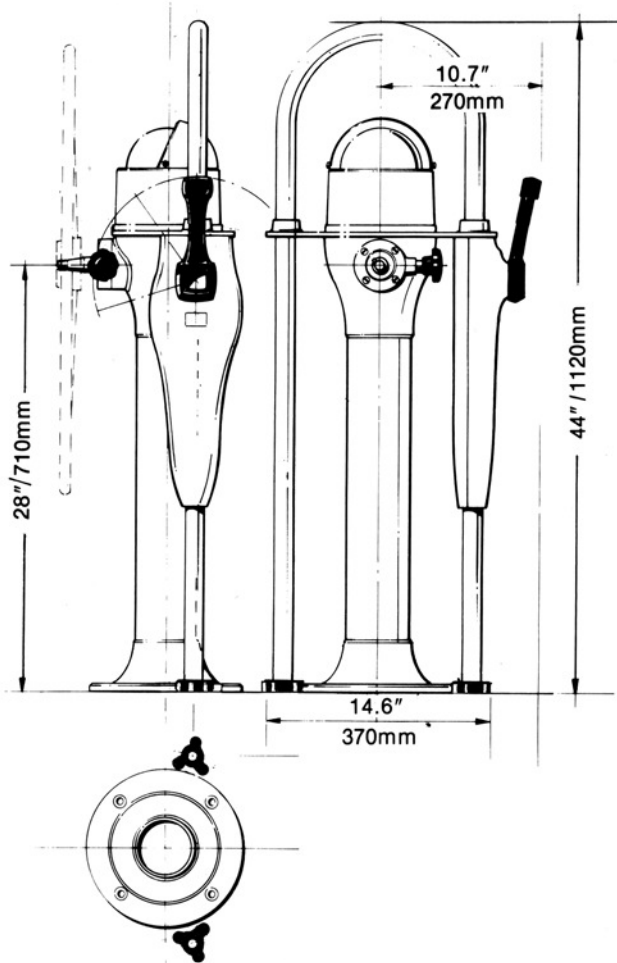
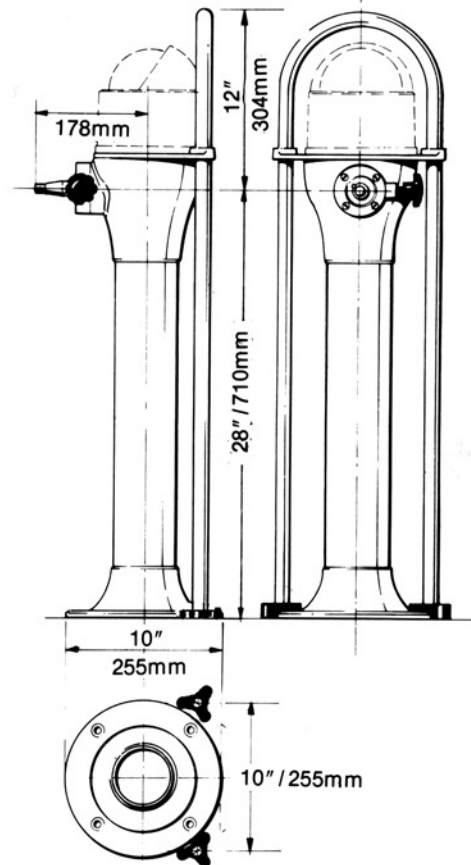


Morse Constellation 100, 200 & 300

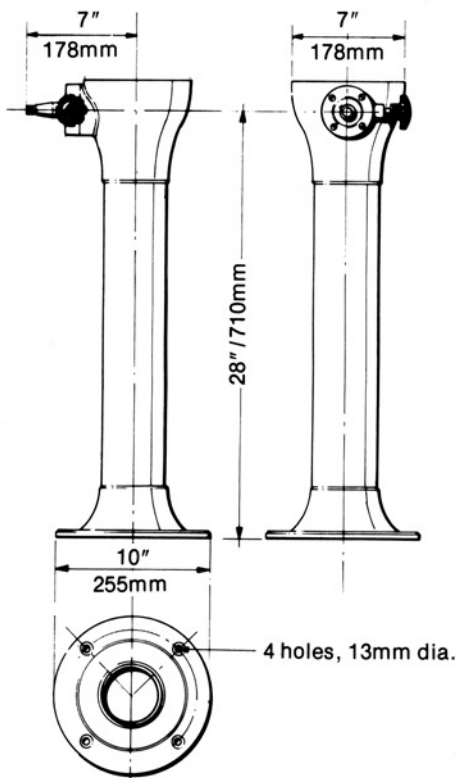
THE PEDESTAL VARIANTS



Pedestal with M/N Control and guardrail.



Pedestal with guardrail.



Pedestal only.

The pedestal, which is standard to all systems, is constructed in cast and extruded aluminium alloy. Stainless steel is used for the wheel shaft, which is carried in generous maintenance free bearings — see Fig. 1. A simple to operate wheel brake is included as standard.

Optional extras include a guardrail, or a deluxe guardrail with integral Morse M/N single lever engine control.

The pedestal is finished in durable white polyester and a teak compass pad is also available.

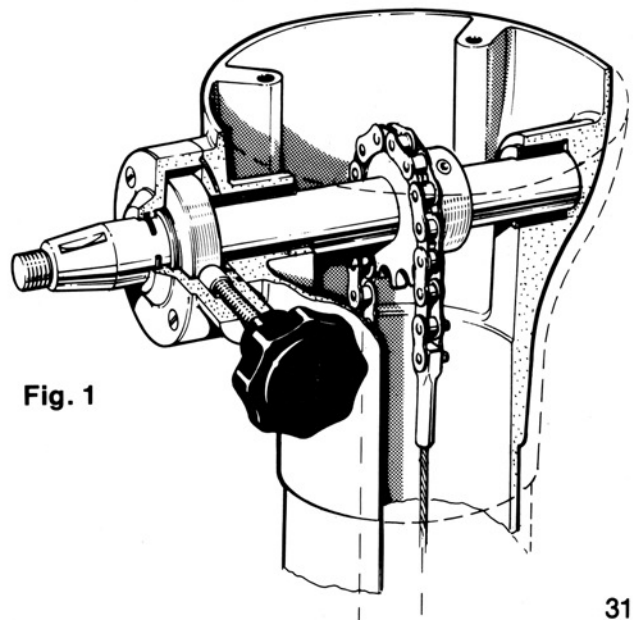


Fig. 1