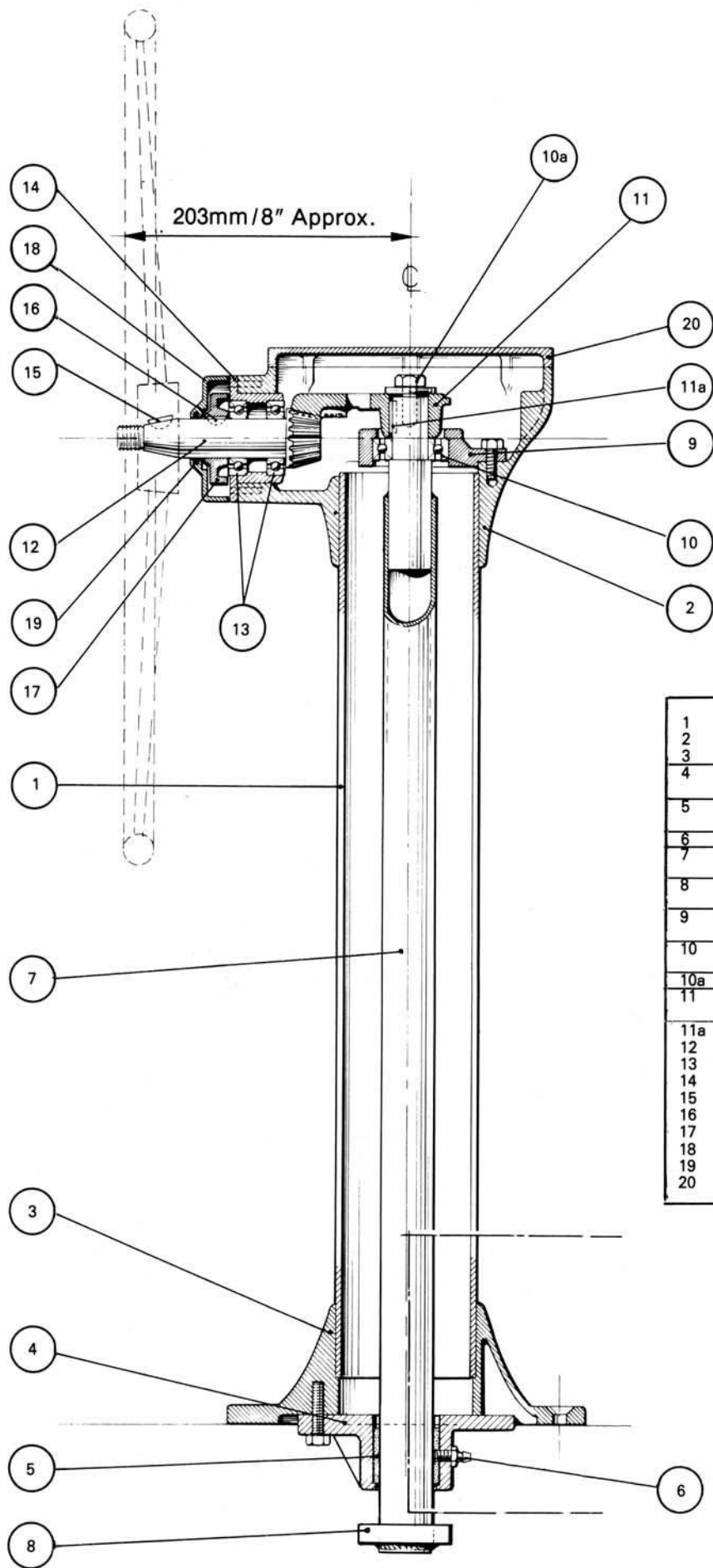


Cobra System



1	TUBE ASSEMBLY
2	TOP BOWL CASTING
3	FOOT CASTING
4	LOWER BEARING MOUNTING (6158 COBRA 3) LOWER BEARING MOUNTING (7158 COBRA 3R)
5	LOWER BEARING (6160 COBRA 3) LOWER BEARING (7160 COBRA 3R)
6	GREASE NIPPLE
7	TORQUE TUBE (6170 COBRA 3) TORQUE TUBE (7170 COBRA 3R)
8	DRAG LINK (6171 COBRA 3) DRAG LINK (7171 COBRA 3R)
9	TOP BEARING MOUNTING (6172 COBRA 3) TOP BEARING MOUNTING (7172 COBRA 3R)
10	SHAFT MAIN BEARING (6173 COBRA 3) SHAFT MAIN BEARING (7173 COBRA 3R)
10a	QUADRANT LOCATING BOLT & WASHER
11	QUADRANT GEAR (6173 COBRA 3) QUADRANT GEAR (7173 COBRA 3R)
11a	FEATHER KEY (QUADRANT)
12	PINION & SHAFT
13	PINION BEARINGS
14	PINION BEARING MOUNTING
15	WOODRUFF KEY (WHEEL)
16	WOODRUFF KEY (DAMPER DRUM)
17	DAMPER DRUM
18	DAMPER DRUM COVER
19	SEAL
20	TOP COVER

Note: External dimensions as Mamba 3 & 3R.

Fig. 12 Section through pedestal assembly.