

Wire Steering Systems Pedestals

Constellation 100 200 300 systems

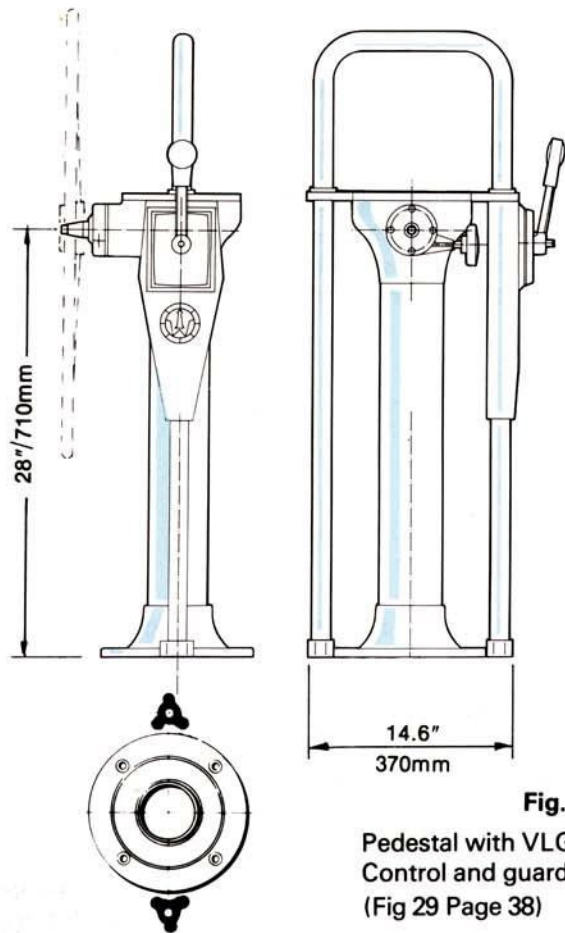


Fig. 29

Pedestal with VLG Control and guardrail.
(Fig 29 Page 38)

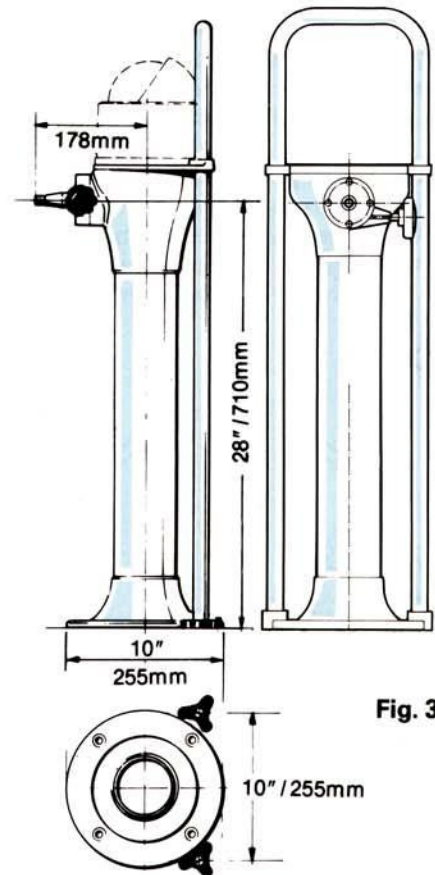
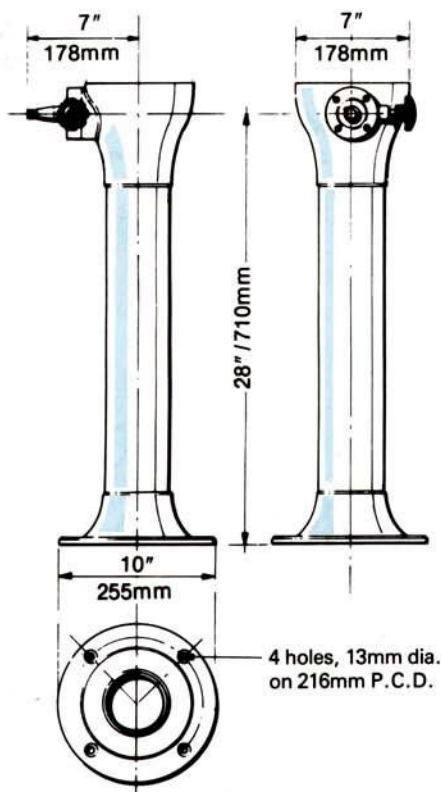


Fig. 30

Pedestal with retrofit guardrail.
(Fig 30 Page 38)



4 holes, 13mm dia.
on 216mm P.C.D.

THE PEDESTAL VARIANTS

The pedestal, which is standard to all wire systems, is constructed in cast and extruded aluminium alloy, Stainless steel is used for the wheel shaft, which is carried in generous maintenance free bearings. A simple to operate wheel brake is included as standard. Optional extras include a retrofit guardrail, or a guardrail with integral Volvo type single lever engine control. The pedestal is finished in durable white polyester.