

Wire Steering Systems Pedestals

Constellation 100 200 500 systems

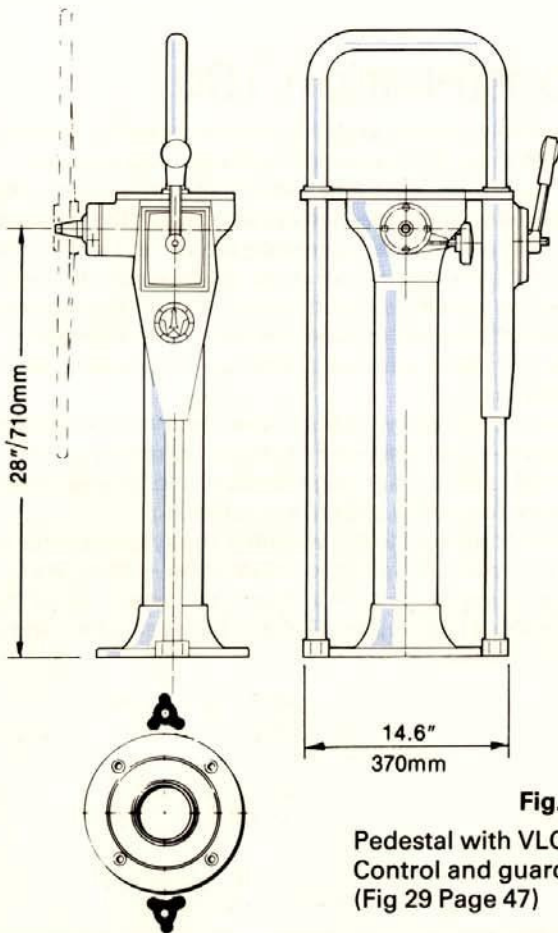


Fig. 29

Pedestal with VLG Control and guardrail.
(Fig 29 Page 47)

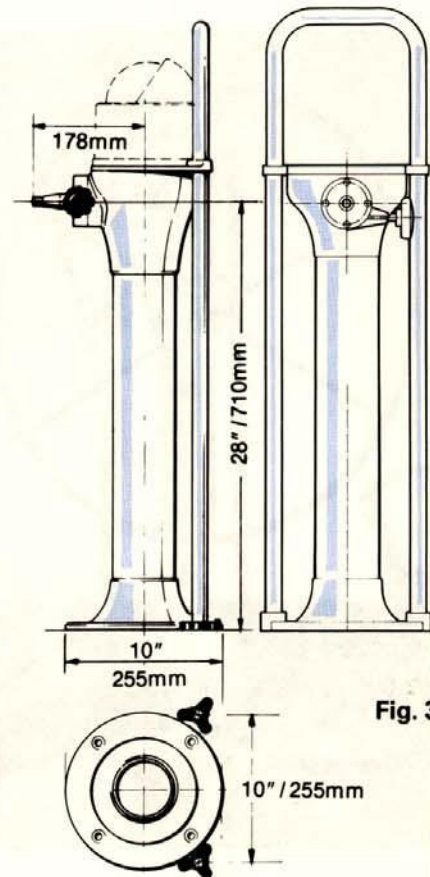
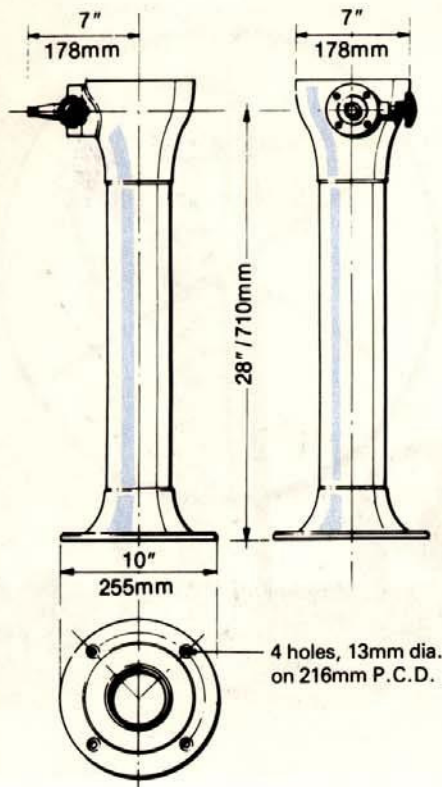


Fig. 30

Pedestal with retrofit guardrail.
(Fig 30 Page 47)



4 holes, 13mm dia.
on 216mm P.C.D.

THE PEDESTAL VARIANTS

The pedestal is constructed in cast and extruded aluminium alloy. Stainless steel is used for the wheel shaft, which is carried in generous maintenance free bearings. A simple to operate wheel brake is included as standard. Optional extras include a retrofit guardrail, or a guardrail with integral Volvo type single lever engine control. The pedestal is finished in durable white polyester.